

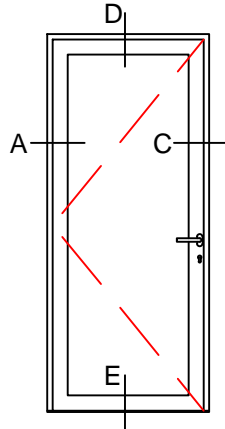
## Typical Exterior Elevations

# 680-OTD SERIES

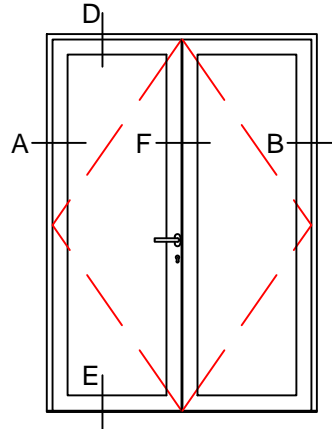
OUTSWING TERRACE DOORS / FIXED

Scale: Not To Scale

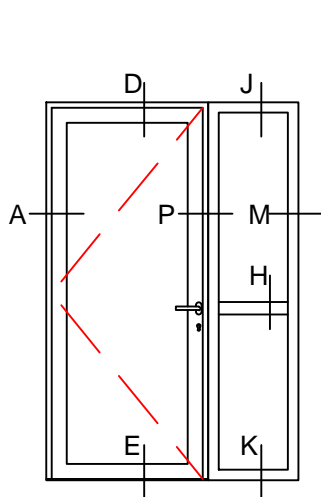
PAGE 1 OF 5



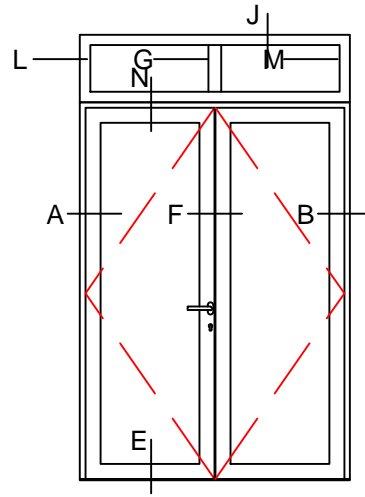
680-11-OTD



680-21-FR-OTD



680-22-OTD-FX



680-22-FR-OTD-FX



## Typical Details

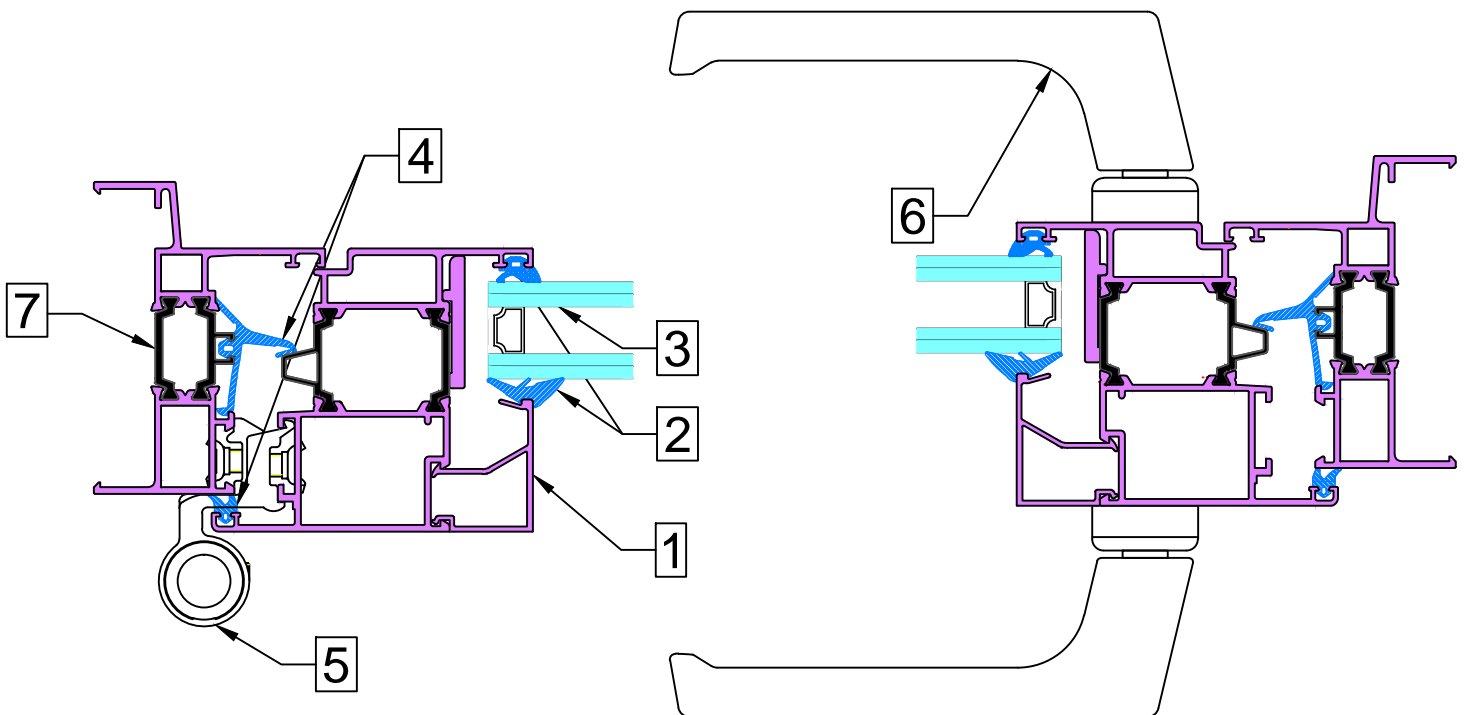
OUTSWING TERRACE DOORS / FIXED

Scale: Half Scale

PAGE 2 OF 5

KEY (TYPICAL)

1. Snap in aluminum glazing bead
2. Extruded EPDM wedge gasket (by OWM)
3. 1" glass and glazing (by others)
4. Weather stripping
5. Metro hinge
6. Metro handle (other options available)
7. Thermal break



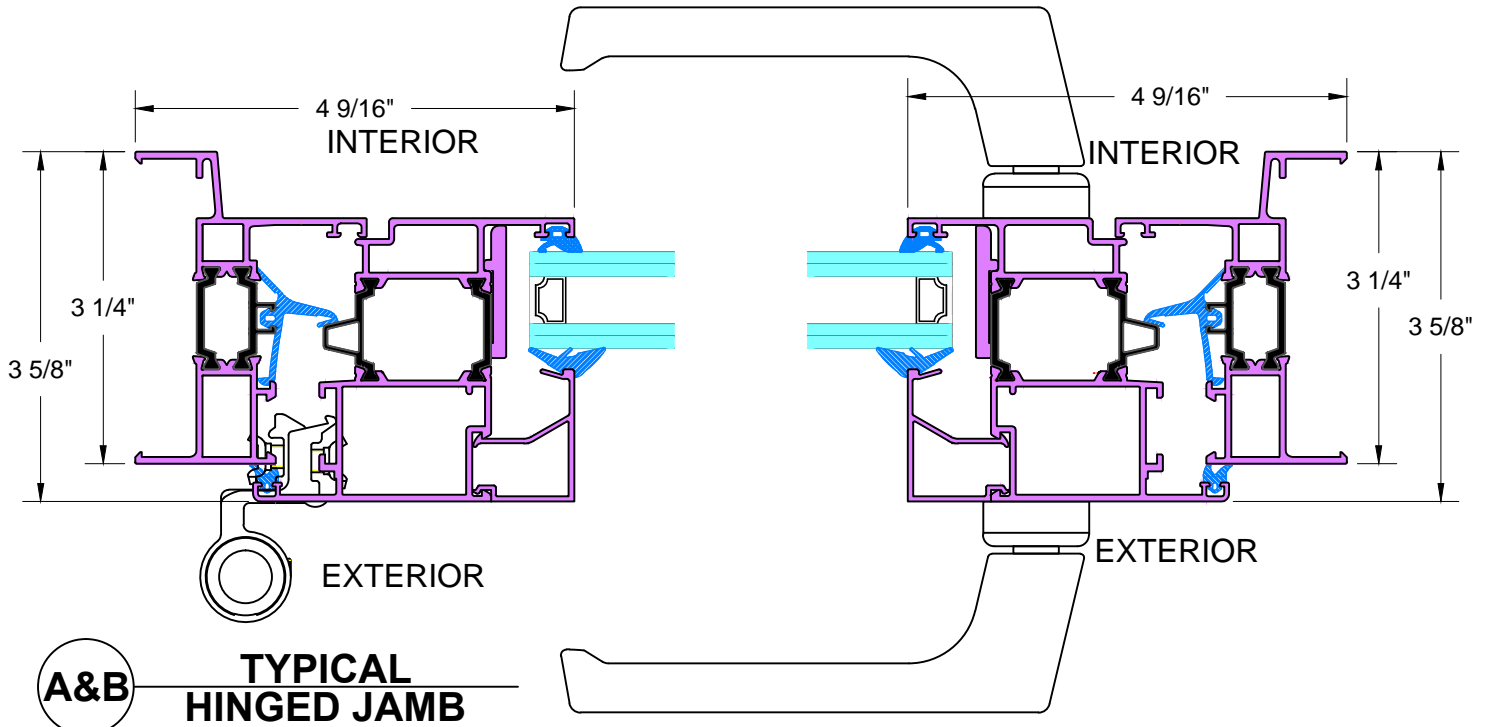
28 Canal Street, Ellenville, NY 12428

Phone (845) 647-1900

## Typical Details

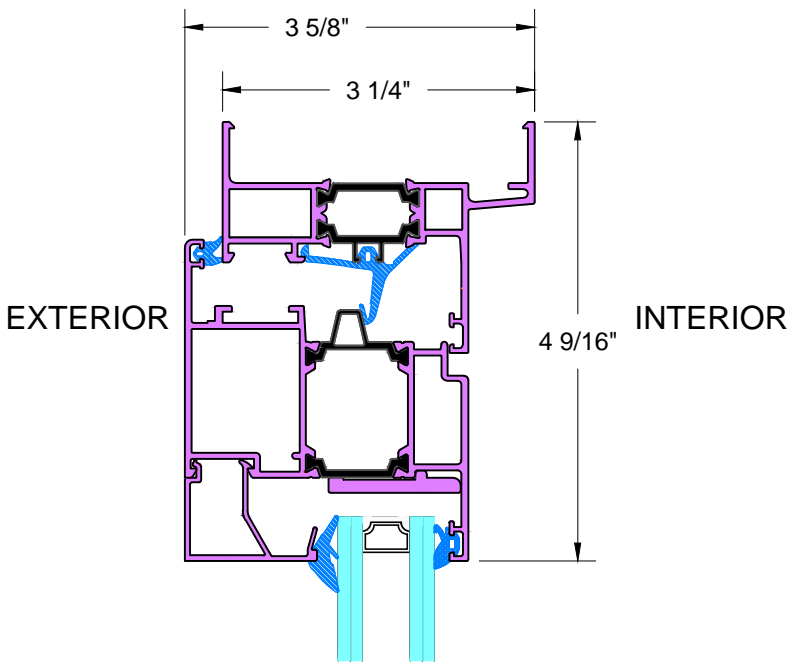
OUTSWING TERRACE DOORS / FIXED

Scale: Half Scale

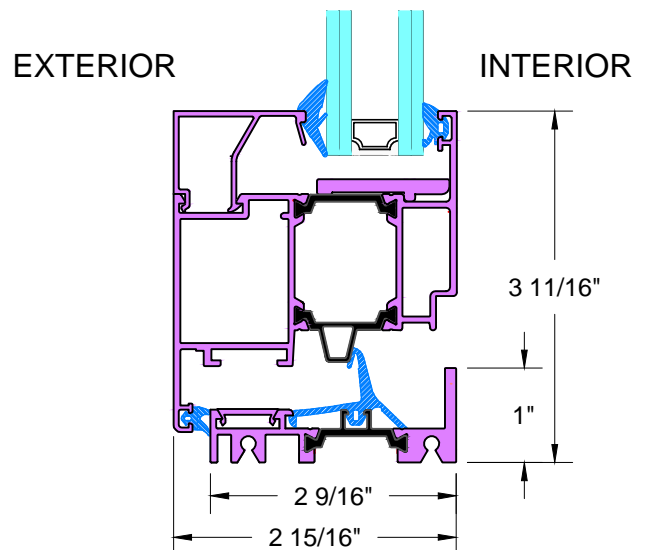


**A&B** TYPICAL HINGED JAMB

**C** TYPICAL LOCKING JAMB



**D** TYPICAL HEAD



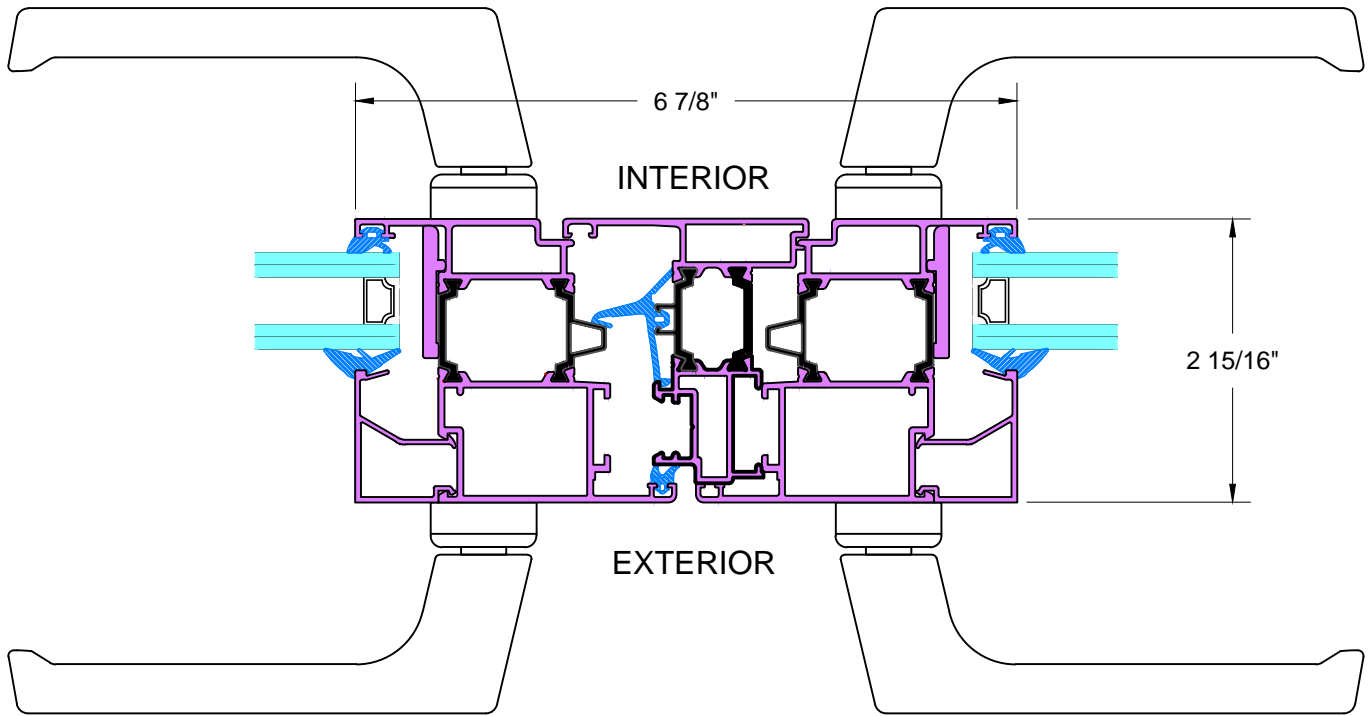
**E** TYPICAL KICKPLATE



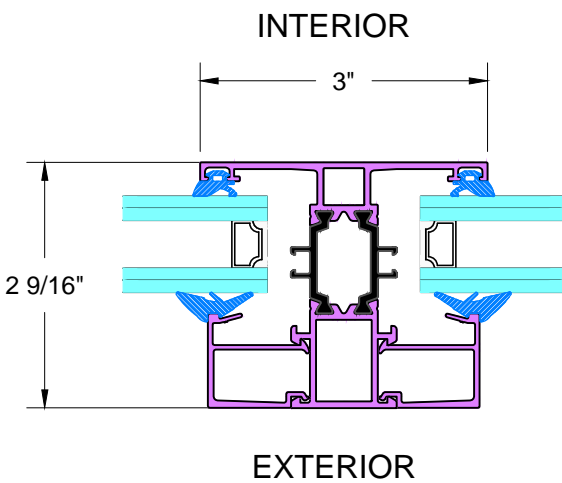
## Typical Details

OUTSWING TERRACE DOORS / FIXED

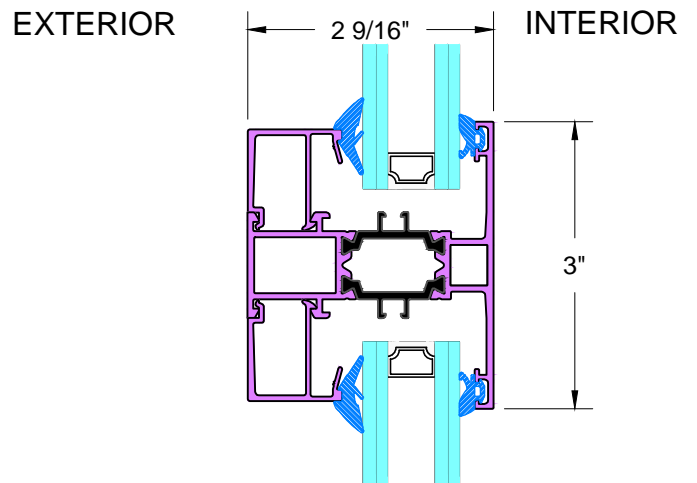
PAGE 4 OF 5



**F** TYPICAL FRENCH MEETING RAIL



**G** TYPICAL VERTICAL MUNTIN



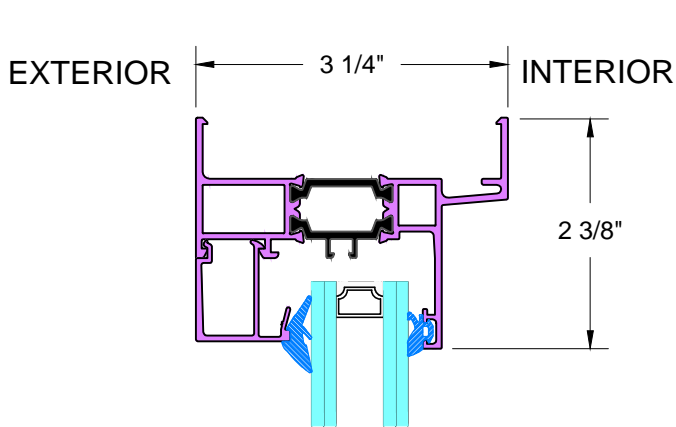
**H** TYPICAL HORIZONTAL MUNTIN



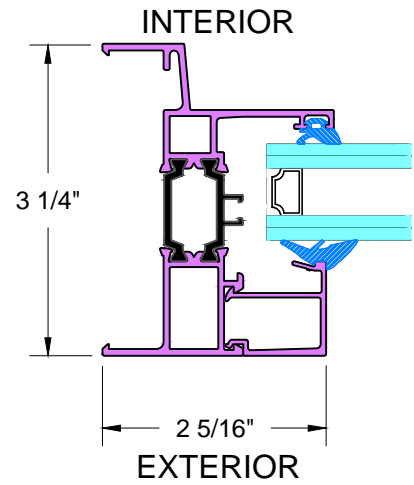
## Typical Details

### OUTSWING TERRACE DOORS / FIXED

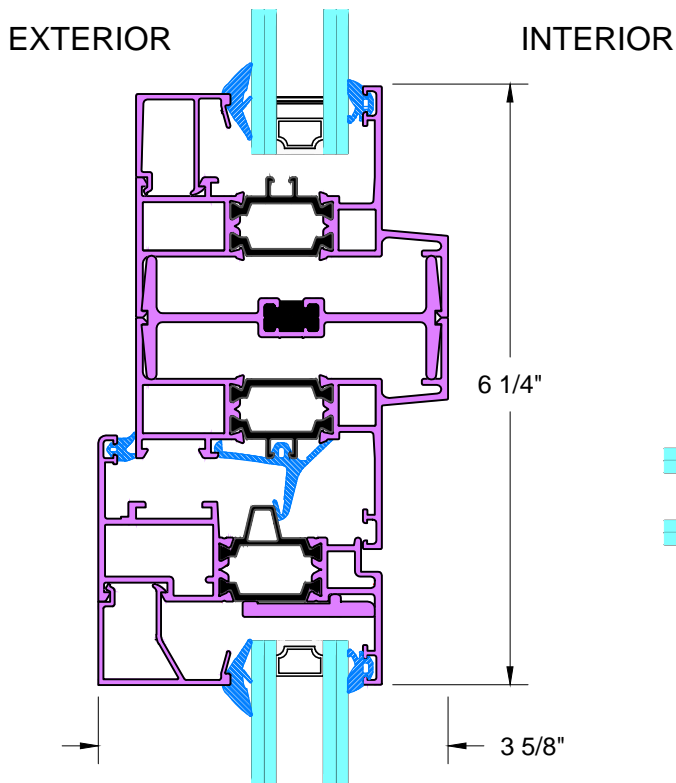
Scale: Half Scale



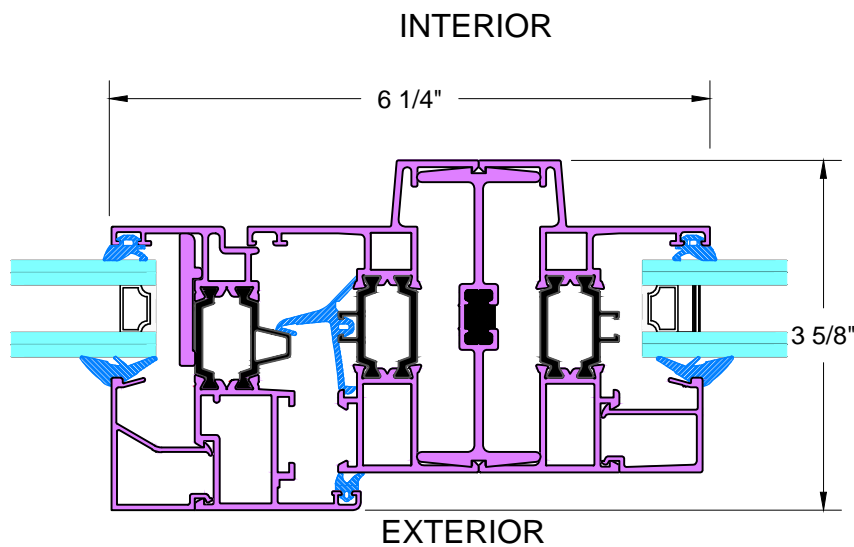
**J&K** TYPICAL FIXED HEAD & SILL



**L&M** TYPICAL FIXED JAMB



**N** TYPICAL STACKING MULLION



**P** TYPICAL JOINING MULLION

