

FIRE

Typical Interior Elevations

FR4700_{SERIES}

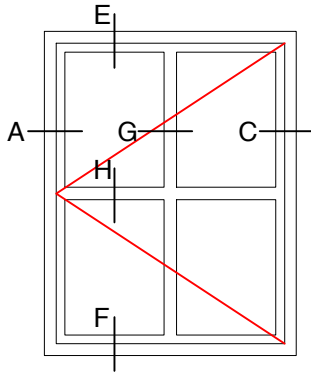
Scale: Not To Scale

UL Approved and Certified

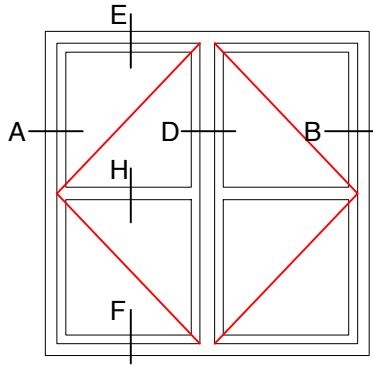
PAGE 1 OF 6

SELF-CLOSING INSWING CASEMENT

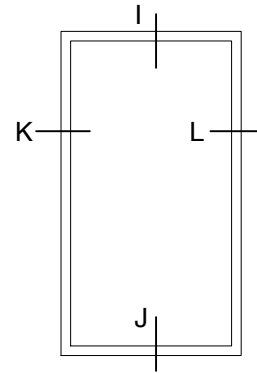
3/4 Hour FIRE RATED



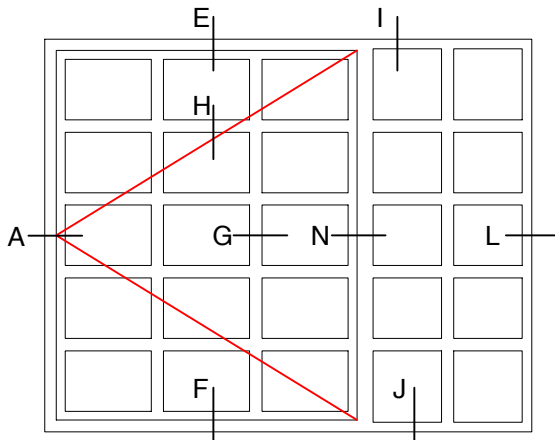
FR 4700 SERIES
INSWING CASEMENT



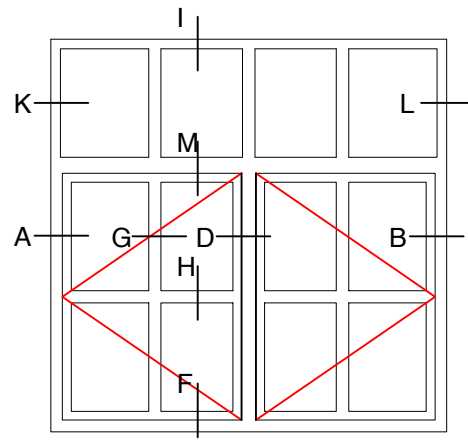
FR 4700 SERIES
DOUBLE INSWING CASEMENT



FR 4700 SERIES
FIXED



FR 4700 SERIES
CASEMENT W/ SIDELITE



FR 4700 SERIES
DOUBLE INSWING CASEMENT W/ TRANSOM



FIRE

FR4700_{SERIES}

Typical Details

Scale: Half Scale

UL Approved and Certified

PAGE 2 OF 6

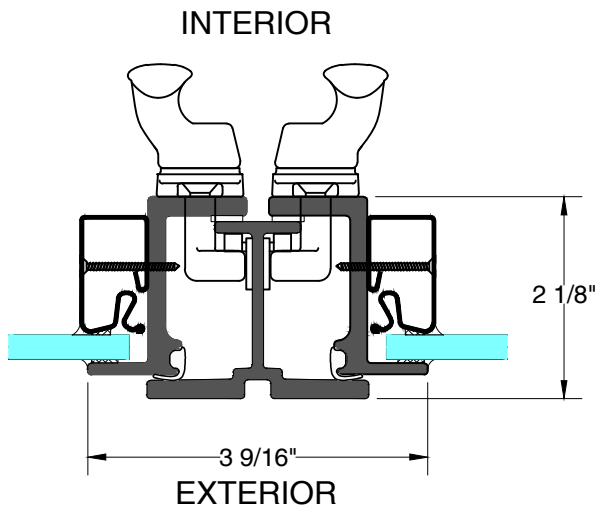
SELF-CLOSING INSWING CASEMENT

3/4 Hour FIRE RATED

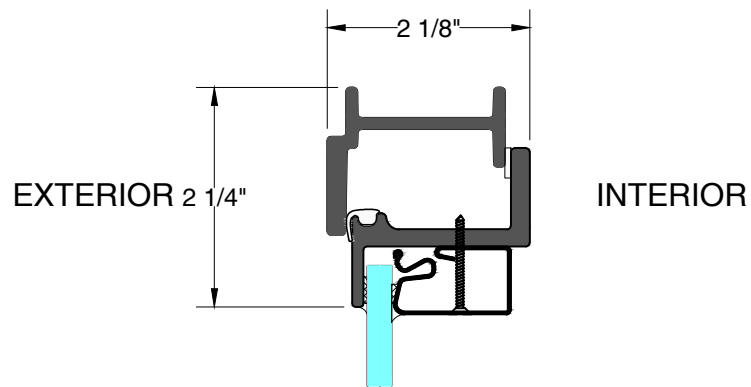


A&B TYPICAL HINGED JAMB

C TYPICAL LOCKING JAMB



D TYPICAL MEETING RAIL



E&F TYPICAL HEAD & SILL



FIRE

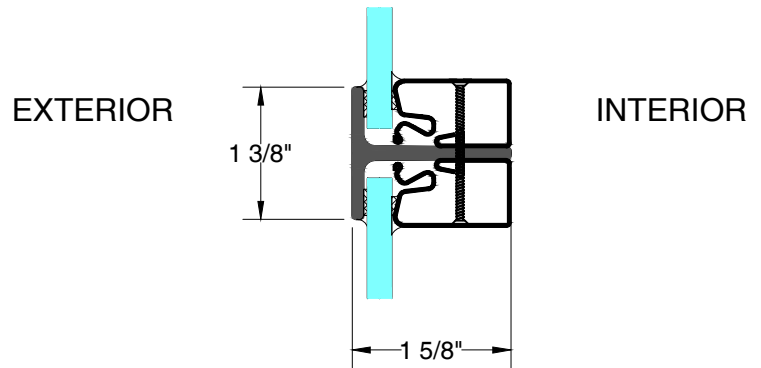
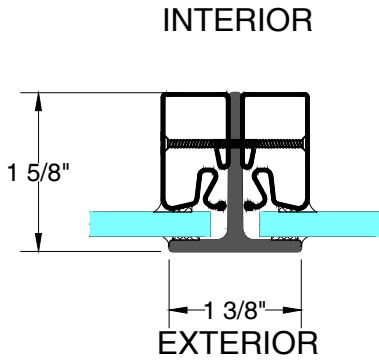
FR4700_{SERIES}

Typical Details

Scale: Half Scale

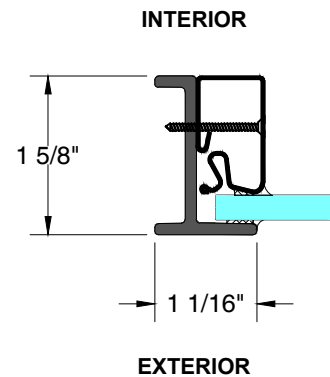
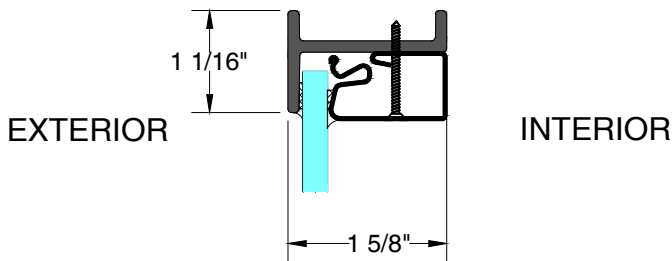
UL Approved and Certified
SELF-CLOSING INSWING CASEMENT
3/4 Hour FIRE RATED

PAGE 3 OF 6



G TYPICAL VERTICAL MUNTIN

H TYPICAL HORIZONTAL MUNTIN



I&J TYPICAL FIXED HEAD & SILL

K&L TYPICAL FIXED JAMB



FIRE

FR4700_{SERIES}

Typical Details

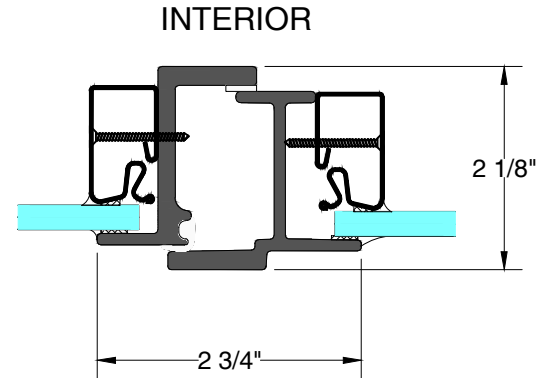
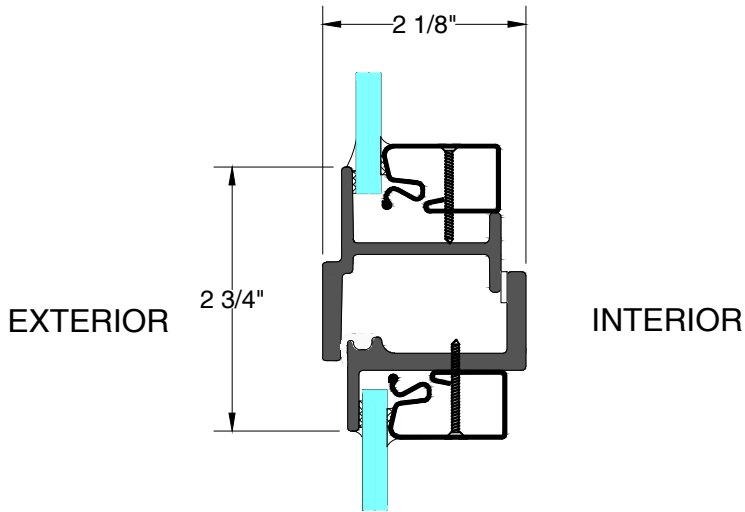
Scale: Half Scale

UL Approved and Certified

PAGE 4 OF 6

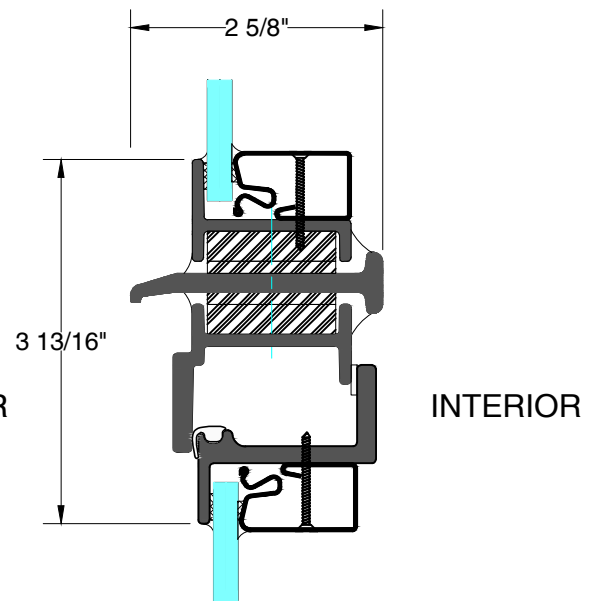
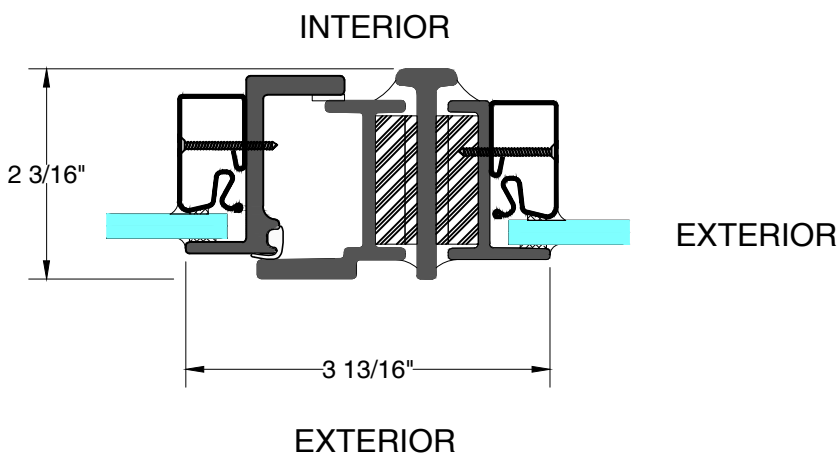
SELF-CLOSING INSWING CASEMENT

3/4 Hour FIRE RATED



M TYPICAL HEAD
W/ TRANSOM

N TYPICAL JAMB
W/ SIDELITE



N TYPICAL
MULLION

M TYPICAL STACKING
MULLION



FIRE

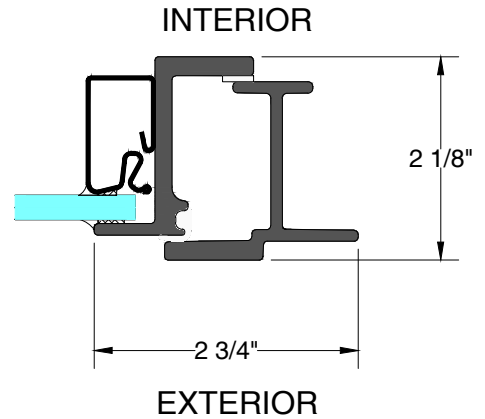
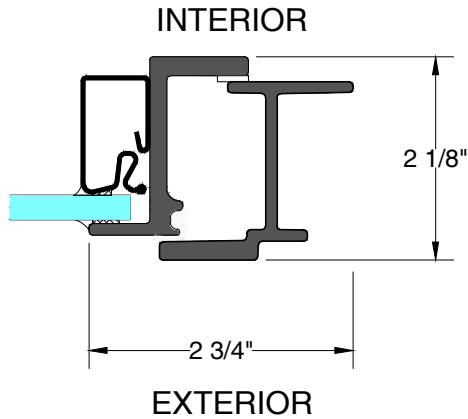
FR4700_{SERIES}

Typical Details

Scale: Half Scale

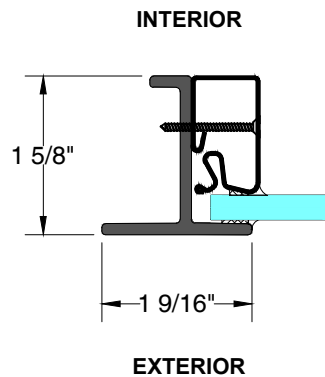
UL Approved and Certified
SELF-CLOSING INSWING CASEMENT
3/4 Hour FIRE RATED

PAGE 5 OF 6



1 TYPICAL JAMB
INTERIOR FLANGE

2 TYPICAL JAMB
EXTERIOR FLANGE



3 TYPICAL FIXED
JAMB FLANGE



28 Canal Street, Ellenville, NY 12428
Phone (845) 647-1900

FIRE

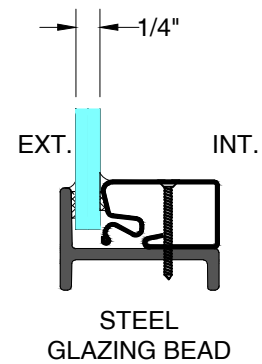
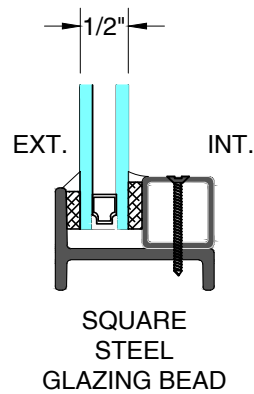
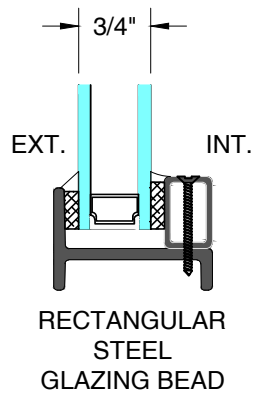
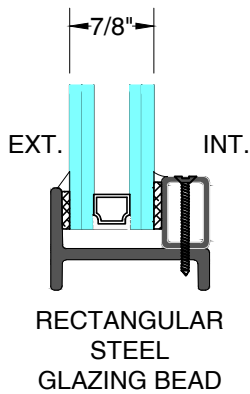
FR4700_{SERIES}

Typical Details

Scale: Half Scale

UL Approved and Certified
SELF-CLOSING INSWING CASEMENT
3/4 Hour FIRE RATED

PAGE 6 OF 6



28 Canal Street, Ellenville, NY 12428
Phone (845) 647-1900