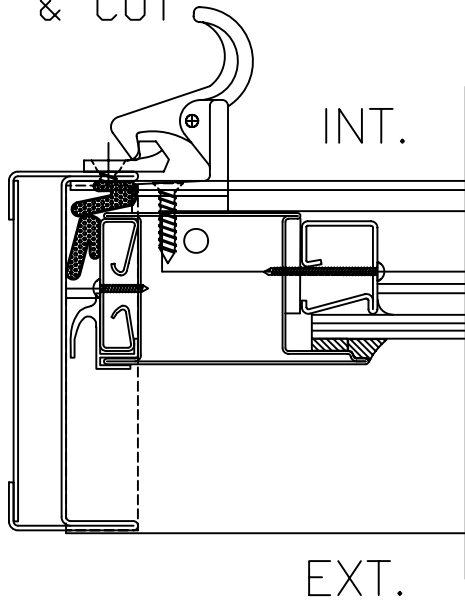
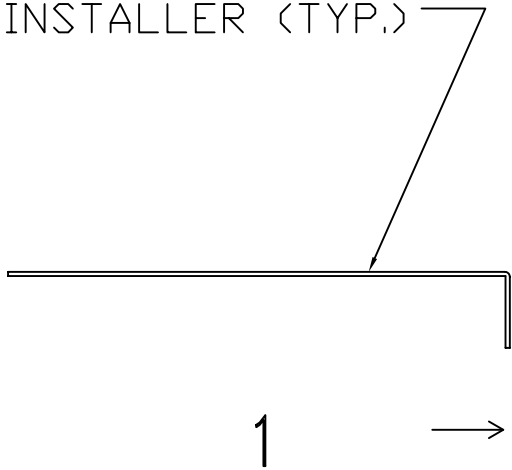
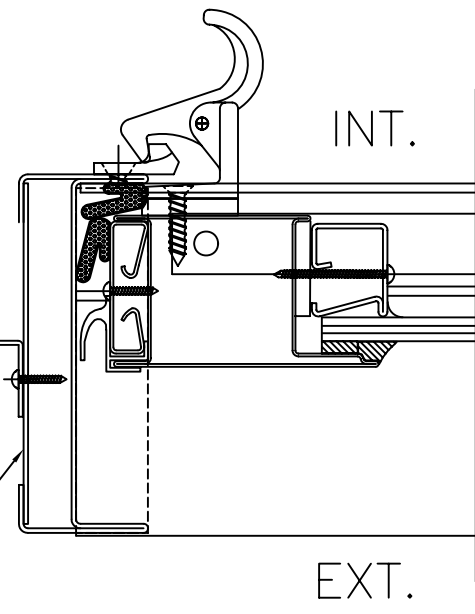
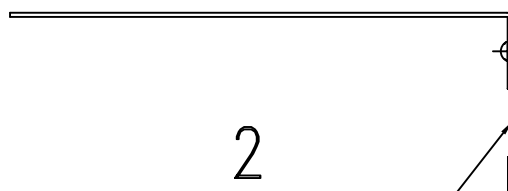


16 GA GALV, STEEL INSTALLATION STRAP @ 18" O.C. TO BE BENT & CUT & ATTACHED IN FIELD BY INSTALLER (TYP.)



FASTEN STRAPS TO WINDOW WITH #8 SELF DRILLING SCREWS (BY INSTALLER)



FRAME REINFORCEMENTS

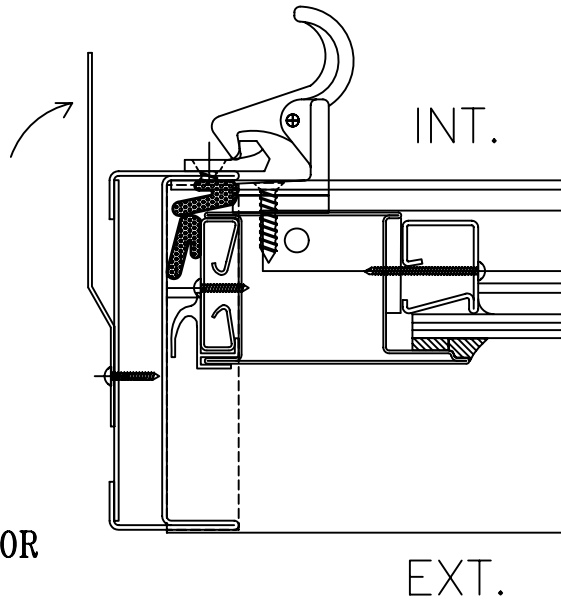
SHEET 1 OF 2

Optimum Window Mfg. Corp. At The Leading Edge of High Technology in Steel Windows.	
DATE: 6/30/04	DRAWN BY: WR
SERIES:	DRAWING NUMBER: INSTALL1Q
TITLE: TYPICAL INSTALLATION STRAP DETAIL FOR SERIES 7600TSS WINDOWS	

3

BEND THE INSTALLATION STRAPS TOWARDS THE INTERIOR

CUT THE INSTALLATION STRAPS AS REQUIRED

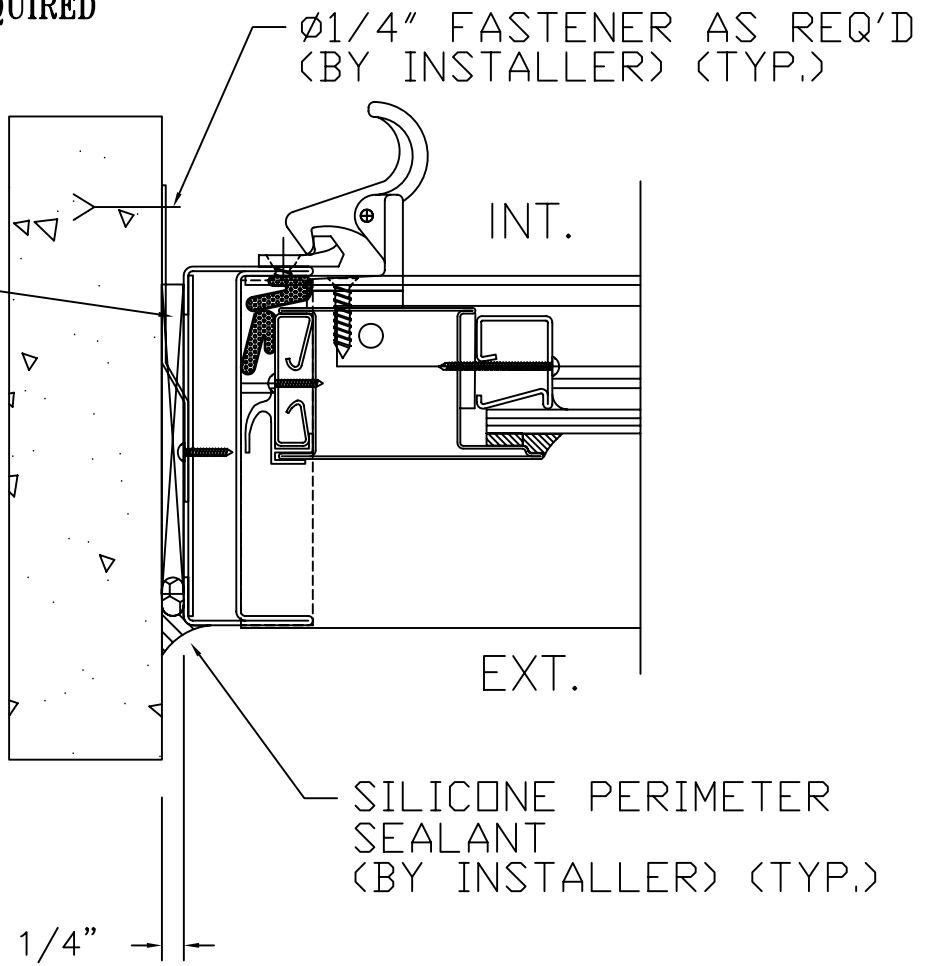


SHIM AS REQ'D (BY INSTALLER) (TYP.)

4

INSTALL FASTENER THROUGH STRAP INTO OPENING

TRIM OVER STRAPS AS DESIRED



SHEET 2 OF 2

Optimum Window Mfg. Corp.

At The Leading Edge of High Technology in Steel Windows.

DATE: 6/30/04 DRAWN BY: WR

SERIES: DRAWING NUMBER: INSTALL1Q

TITLE: TYPICAL INSTALLATION STRAP DETAIL FOR SERIES 7600TSS WINDOWS