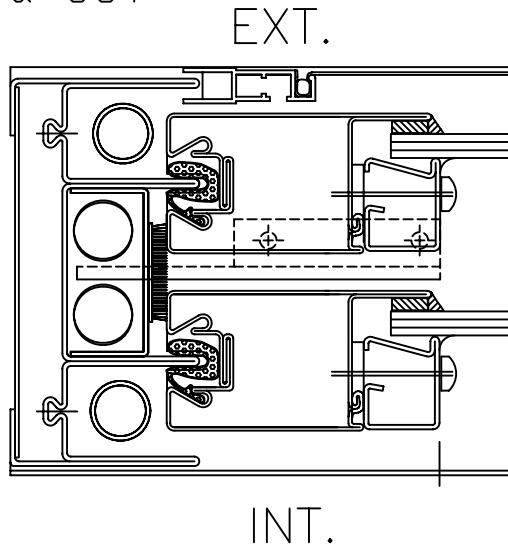
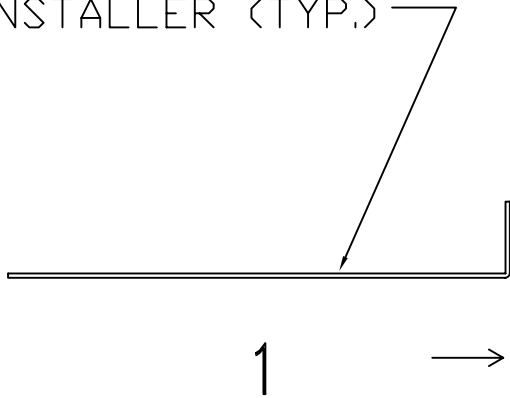
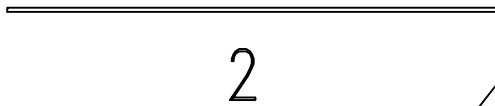


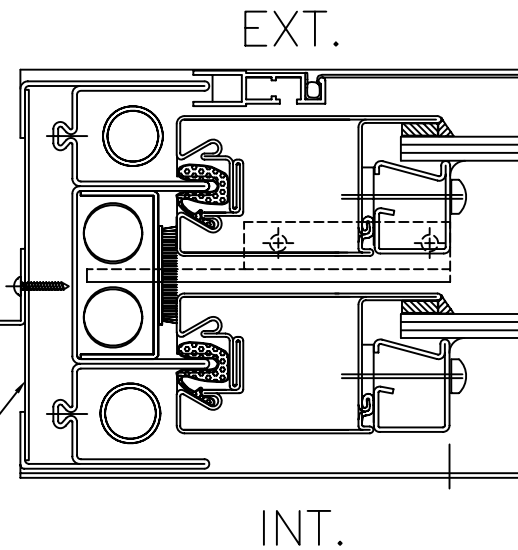
16 GA GALV. STEEL INSTALLATION STRAP @ 18" O.C. TO BE BENT & CUT & ATTACHED IN FIELD BY INSTALLER (TYP.)



FASTEN STRAPS TO WINDOW WITH #8 SELF DRILLING SCREWS (BY INSTALLER)



FRAME REINFORCEMENTS



SHEET 1 OF 2

Optimum Window Mfg. Corp.

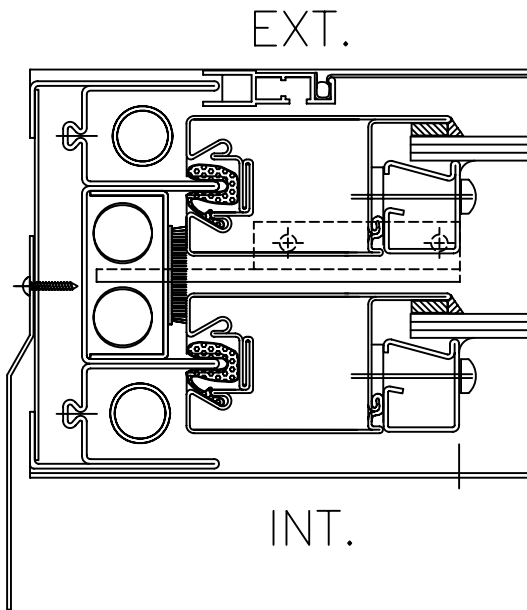
At The Leading Edge of High Technology in Steel Windows.

SERIES:	DATE: 9/22/03	DRAWN BY: WR
TITLE:	DRAWING NUMBER: INSTALL 1L	

TYPICAL INSTALLATION STRAP DETAIL FOR SERIES 7650TDH WINDOWS

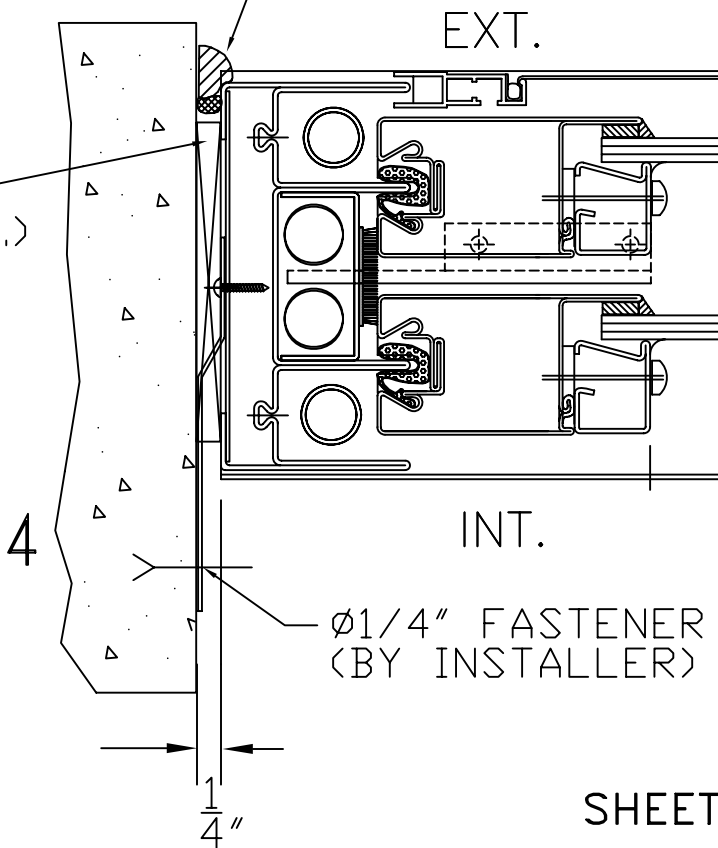
3  
 BEND THE INSTALLATION STRAPS TOWARDS THE INTERIOR

CUT THE INSTALLATION STRAPS AS REQUIRED



EXTERIOR PERIMETER SEALANT (TYP.) (BY INSTALLER)

SHIM AS REQ'D (BY INSTALLER) (TYP.)



4  
 INSTALL FASTENER THROUGH STRAP INTO OPENING

TRIM OVER STRAPS AS DESIRED

Ø1/4" FASTENER AS REQ'D (BY INSTALLER) (TYP.)

SHEET 2 OF 2

<b>Optimum Window Mfg. Corp.</b> At The Leading Edge of High Technology in Steel Windows.		
DATE:	9/22/03	DRAWN BY: WR
SERIES:	DRAWING NUMBER:	INSTALL 1L
TITLE: TYPICAL INSTALLATION STRAP DETAIL FOR SERIES 7650TDH WINDOWS		