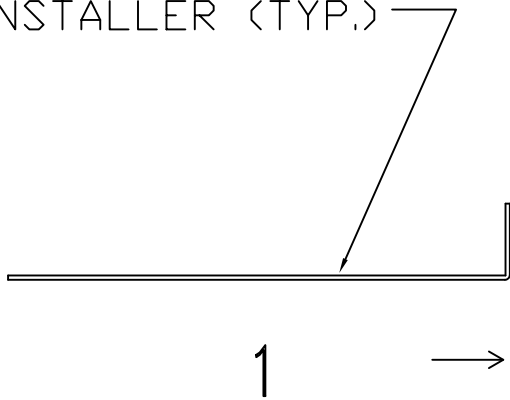
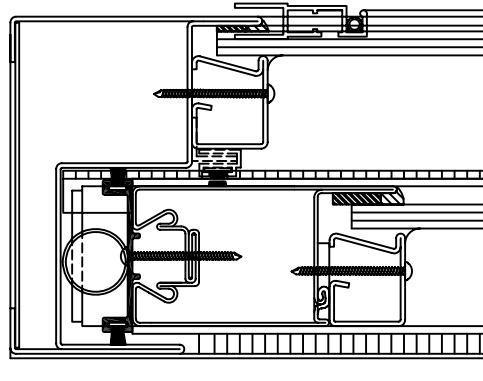


16 GA GALV. STEEL INSTALLATION  
STRAP @ 18" O.C. TO BE BENT & CUT  
& ATTACHED IN FIELD  
BY INSTALLER (TYP.)

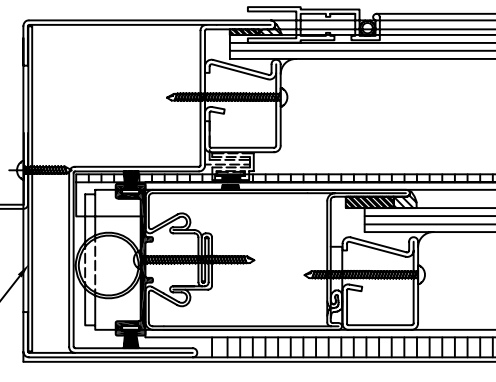
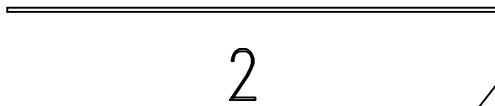


EXT.



INT.

FASTEN STRAPS TO WINDOW  
WITH #8 SELF DRILLING SCREWS  
(BY INSTALLER)



EXT.

INT.

FRAME REINFORCEMENTS

SHEET 1 OF 2

Optimum Window Mfg. Corp.

At The Leading Edge of High Technology in Steel Windows.

DATE: 10/6/04 DRAWN BY: WR

SERIES: DRAWING NUMBER: INSTALL 1T

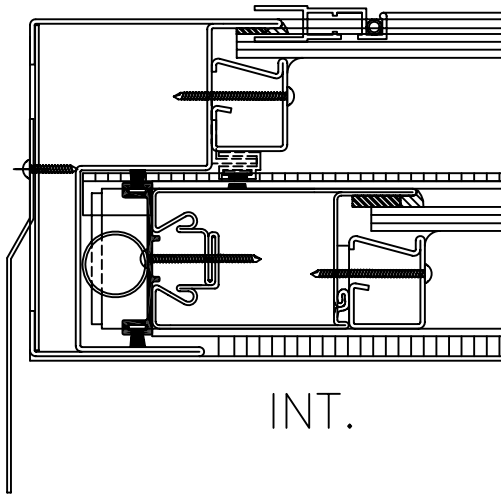
TITLE:  
TYPICAL INSTALLATION STRAP DETAIL  
FOR SERIES 7650TSH WINDOWS

EXT.

3

BEND THE INSTALLATION STRAPS TOWARDS THE INTERIOR

CUT THE INSTALLATION STRAPS AS REQUIRED



INT.

EXTERIOR PERIMETER SEALANT (TYP.) (BY INSTALLER)

SHIM AS REQ'D (BY INSTALLER) (TYP.)

4

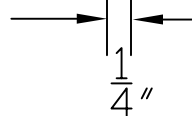
EXT.

INT.

INSTALL FASTENER THROUGH STRAP INTO OPENING

Ø1/4" FASTENER AS REQ'D (BY INSTALLER) (TYP.)

TRIM OVER STRAPS AS DESIRED



1/4"

SHEET 2 OF 2

Optimum Window Mfg. Corp.

At The Leading Edge of High Technology in Steel Windows.

DATE: 10/6/04 DRAWN BY: WR

SERIES: DRAWING NUMBER: INSTALL 1T

TITLE: TYPICAL INSTALLATION STRAP DETAIL FOR SERIES 7650TSH WINDOWS