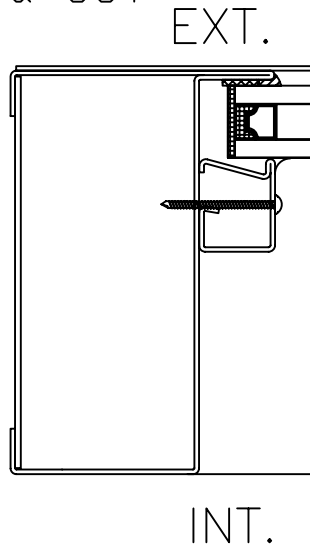
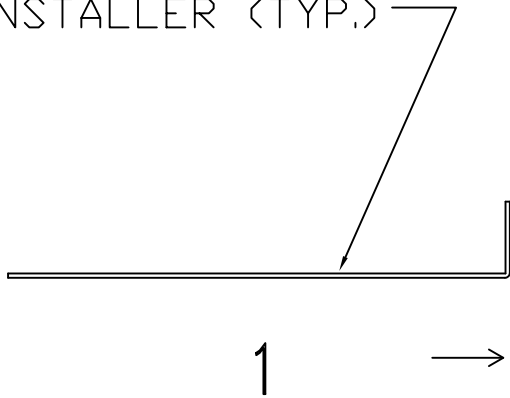
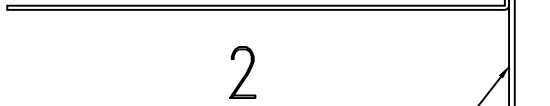


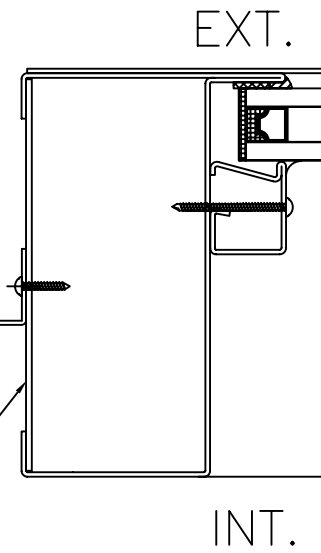
16 GA GALV. STEEL INSTALLATION  
 STRAP @ 18" O.C. TO BE BENT & CUT  
 & ATTACHED IN FIELD  
 BY INSTALLER (TYP.)



FASTEN STRAPS TO WINDOW  
 WITH #8 SELF DRILLING SCREWS  
 (BY INSTALLER)



FRAME REINFORCEMENTS



SHEET 1 OF 2

<b>Optimum Window Mfg. Corp.</b> At The Leading Edge of High Technology in Steel Windows.		
DATE:	4/19/07	DRAWN BY: WR
SERIES:	DRAWING NUMBER:	INSTALL 1Z
TITLE: TYPICAL INSTALLATION STRAP DETAIL FOR SERIES 7650TDH FIXED WINDOWS		

EXT.

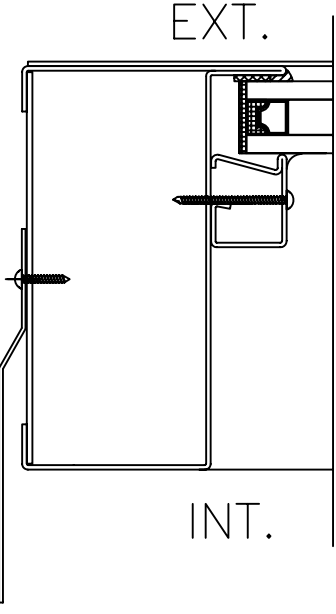
3

BEND THE INSTALLATION STRAPS TOWARDS THE INTERIOR

CUT THE INSTALLATION STRAPS AS REQUIRED



INT.



EXTERIOR PERIMETER SEALANT (TYP.) (BY INSTALLER)

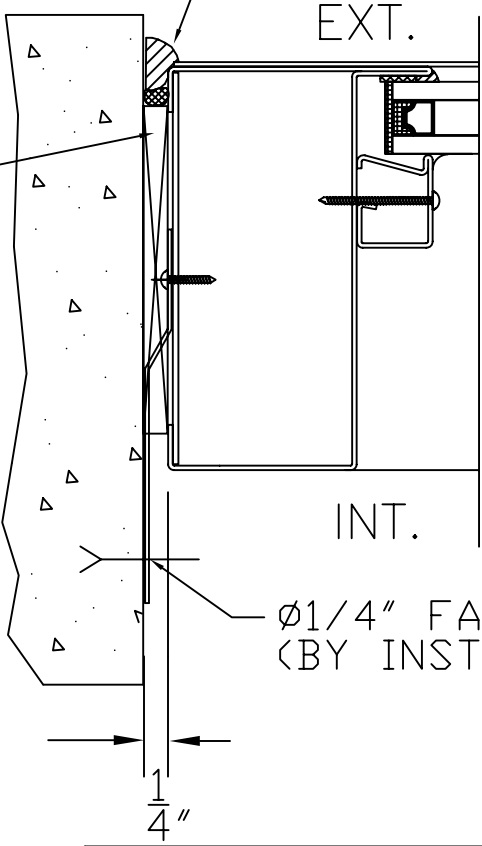
SHIM AS REQ'D (BY INSTALLER) (TYP.)

EXT.

4

INSTALL FASTENER THROUGH STRAP INTO OPENING

TRIM OVER STRAPS AS DESIRED



Ø1/4" FASTENER AS REQ'D (BY INSTALLER) (TYP.)

1/4"

SHEET 2 OF 2

Optimum Window Mfg. Corp.  
At The Leading Edge of High Technology in Steel Windows.

DATE: 4/18/07 DRAWN BY: WR  
SERIES: DRAWING NUMBER: INSTALL 1Z

TITLE: TYPICAL INSTALLATION STRAP DETAIL FOR SERIES 7650TDH FIXED WINDOWS