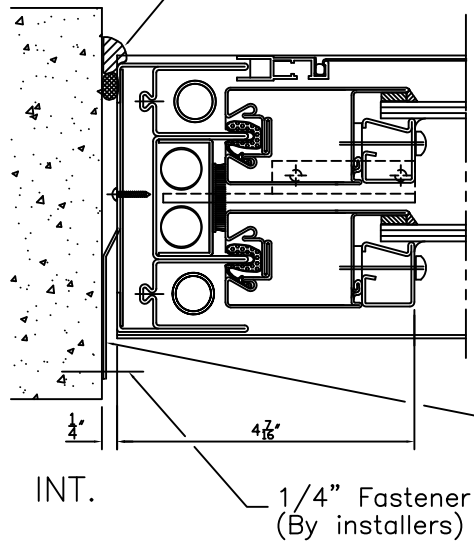
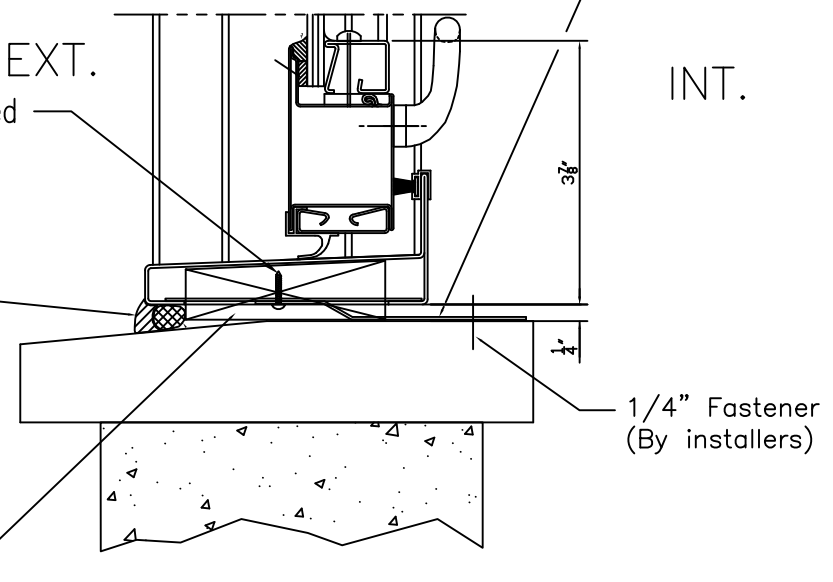


Typical Head Condition



Typical Jamb Condition

16 Gauge Galvanized Steel Installation Strap @ 18" O.C. to be bent & cut & attached in field by installer



Typical Sill Condition

Rev. A 12/1/03 wr  
Revised gasket in jamb section.

## Optimum Window Mfg. Corp.

At The Leading Edge of High Technology in Steel Windows.

SCALE 1:3, AS NOTED	DATE: 8/20/03	DRAWN BY: MATT S.	CUSTOMER P.O.#	RE:
SERIES: 7650TDH	DRAWING NUMBER: INSTALL 7650TDH		DIM:	COLOR:
TITLE: Typical conditions for 7650TDH Series Windows			DATE:	GLAZING:
APPROVED AND ACCEPTED BY:				