

# FIRE

## TYPICAL INTERIOR ELEVATIONS

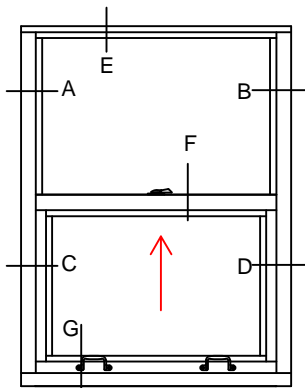
# 7650 TSH<sub>SERIES</sub>

Scale: Not To Scale

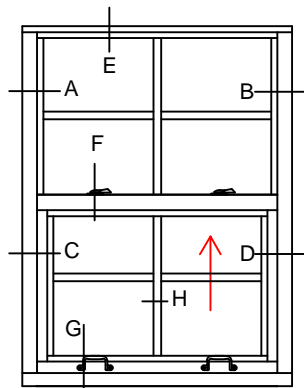
UL APPROVED AND CERTIFIED  
SELF-CLOSING SINGLE HUNG

PAGE 1 OF 7

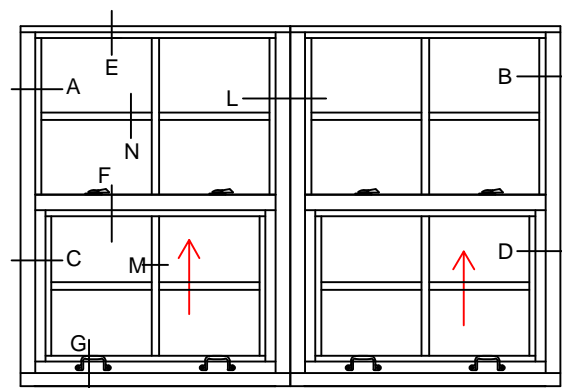
3/4 HOUR FIRE RATED WHEN GLAZED WITH 1/4" WIRE GLASS  
1 1/2 HOUR FIRE RATED WHEN GLAZED WITH 3/16" CERAMIC & FIRE RATED GLAZING TAPE



7650 TSH 1/1

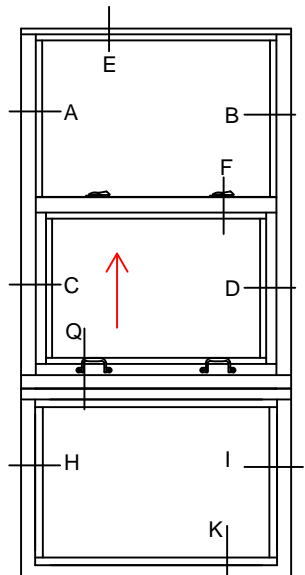


7650 TSH 4/4

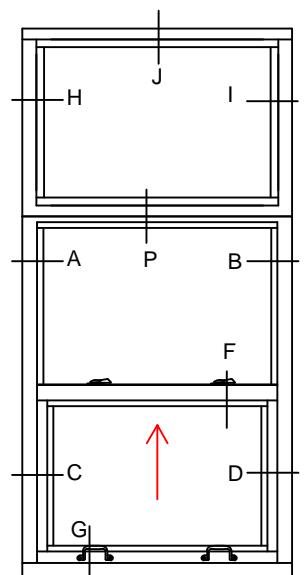


7650 TSH 4/4

7650 TSH 4/4



7650 TSH 1/1  
-LT- 1



7650 TSH 1/1  
-UT- 1

WINDOWS WITH A WIDTH OVER 36" WILL RECEIVE 2 HANDLES AND 2 SWEEP LOCKS

WINDOWS WITH A WIDTH OF 24"-36" WILL RECEIVE 2 HANDLES AND 1 SWEEP LOCK



28 Canal Street, Ellenville, NY 12428  
Phone (845) 647-1900

# FIRE

# 7650 TSH<sub>SERIES</sub>

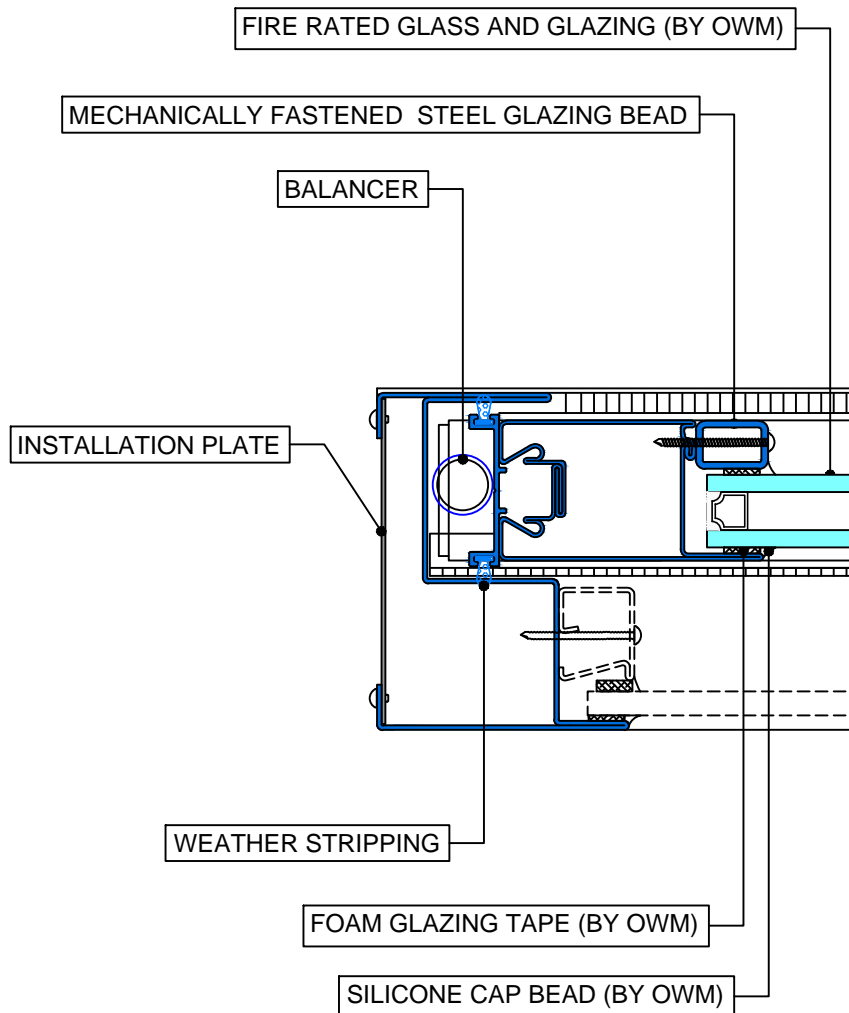
## KEY TYPICAL

Scale: 1:2

UL APPROVED AND CERTIFIED  
SELF-CLOSING SINGLE HUNG

PAGE 2 OF 7

3/4 HOUR FIRE RATED WHEN GLAZED WITH 1/4" WIRE GLASS  
1 1/2 HOUR FIRE RATED WHEN GLAZED WITH 3/16" CERAMIC & FIRE RATED GLAZING TAPE



28 Canal Street, Ellenville, NY 12428  
Phone (845) 647-1900

# FIRE

## TYPICAL DETAILS

Scale: 1:2

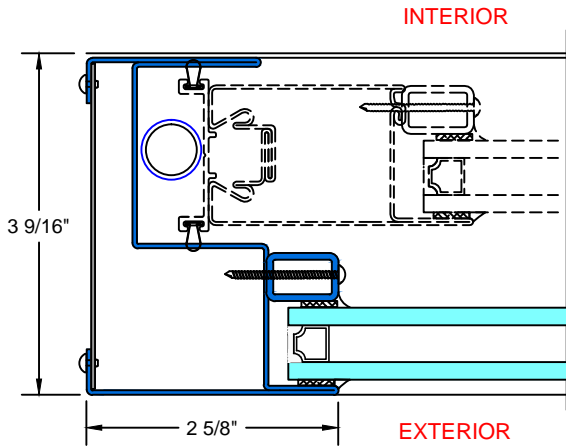
# 7650 TSH<sub>SERIES</sub>

PAGE 3 OF 7

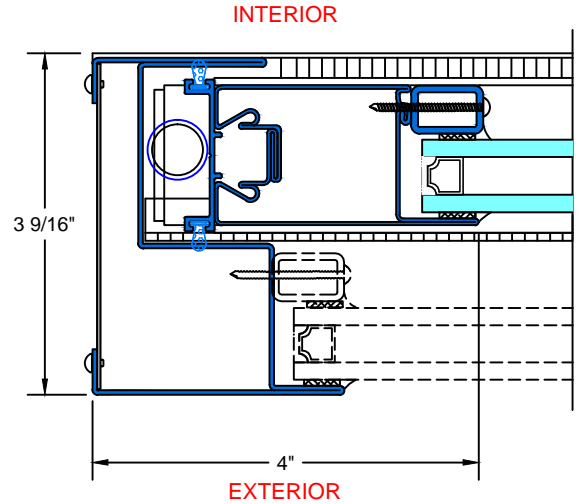
UL APPROVED AND CERTIFIED  
SELF-CLOSING SINGLE HUNG

3/4 HOUR FIRE RATED WHEN GLAZED WITH 1/4" WIRE GLASS

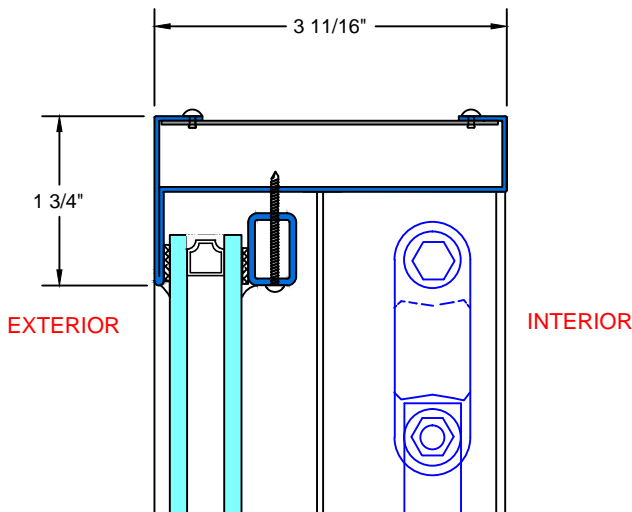
1 1/2 HOUR FIRE RATED WHEN GLAZED WITH 3/16" CERAMIC & FIRE RATED GLAZING TAPE



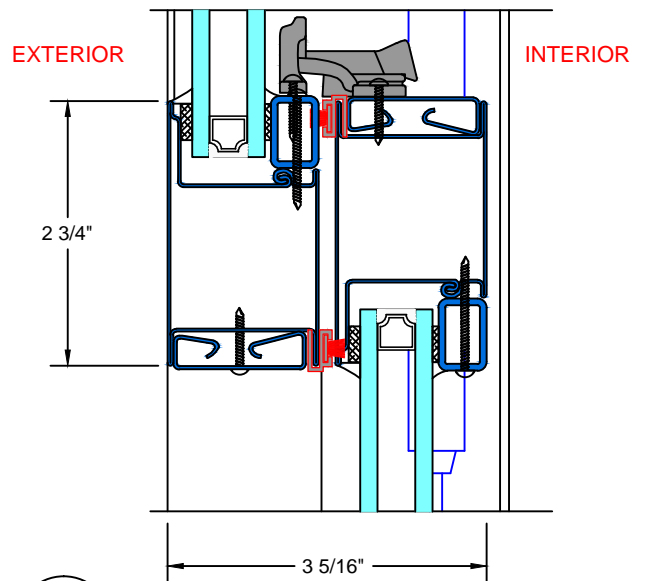
**A&B** TYPICAL  
FIXED JAMB



**C&D** TYPICAL  
OPERABLE JAMB



**E** TYPICAL  
HEAD



**F** TYPICAL  
MEETING RAIL



28 Canal Street, Ellenville, NY 12428  
Phone (845) 647-1900

# FIRE

## TYPICAL DETAILS

Scale: 1:2

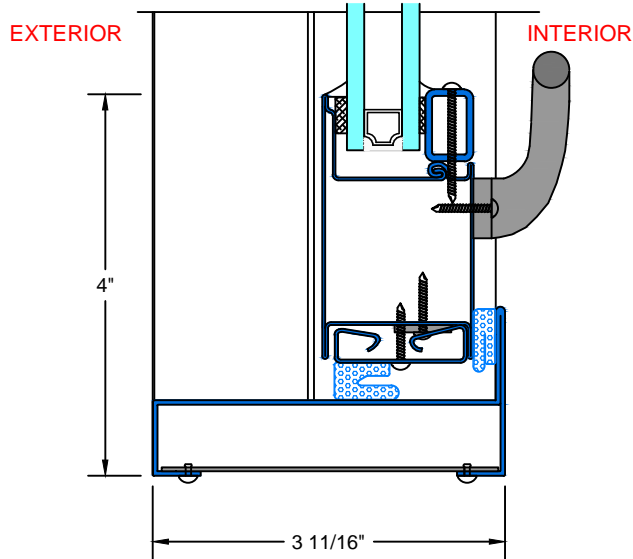
# 7650 TSH<sub>SERIES</sub>

PAGE 4 OF 7

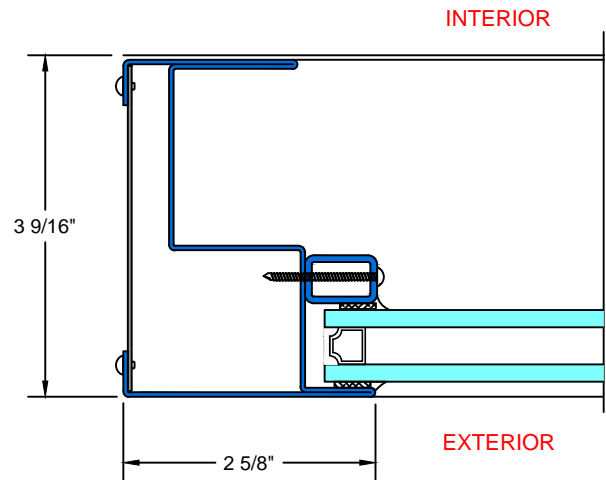
UL APPROVED AND CERTIFIED  
SELF-CLOSING SINGLE HUNG

3/4 HOUR FIRE RATED WHEN GLAZED WITH 1/4" WIRE GLASS

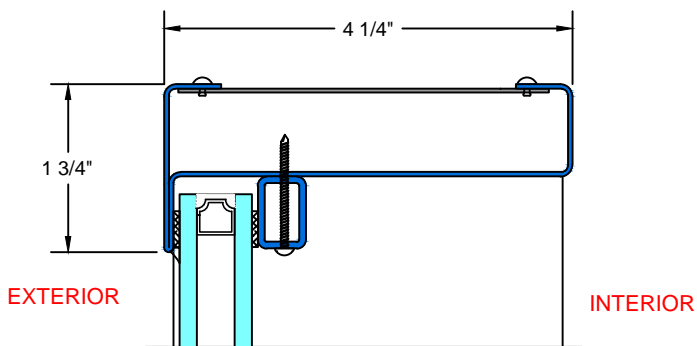
1 1/2 HOUR FIRE RATED WHEN GLAZED WITH 3/16" CERAMIC & FIRE RATED GLAZING TAPE



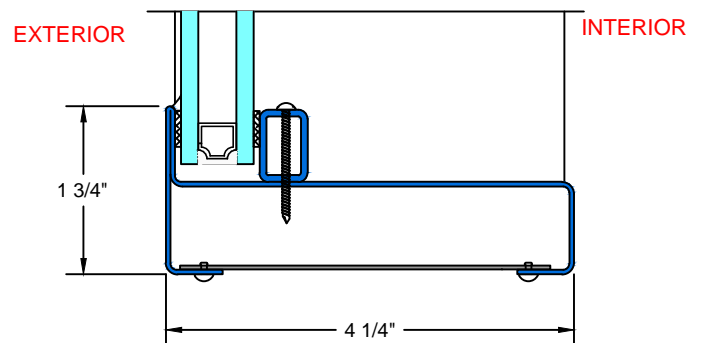
**G** TYPICAL SILL



**H&I** TYPICAL TRANSOM JAMB



**J** TYPICAL TRANSOM HEAD



**K** TYPICAL TRANSOM SILL



28 Canal Street, Ellenville, NY 12428  
Phone (845) 647-1900

# FIRE

## TYPICAL DETAILS

Scale: 1:2

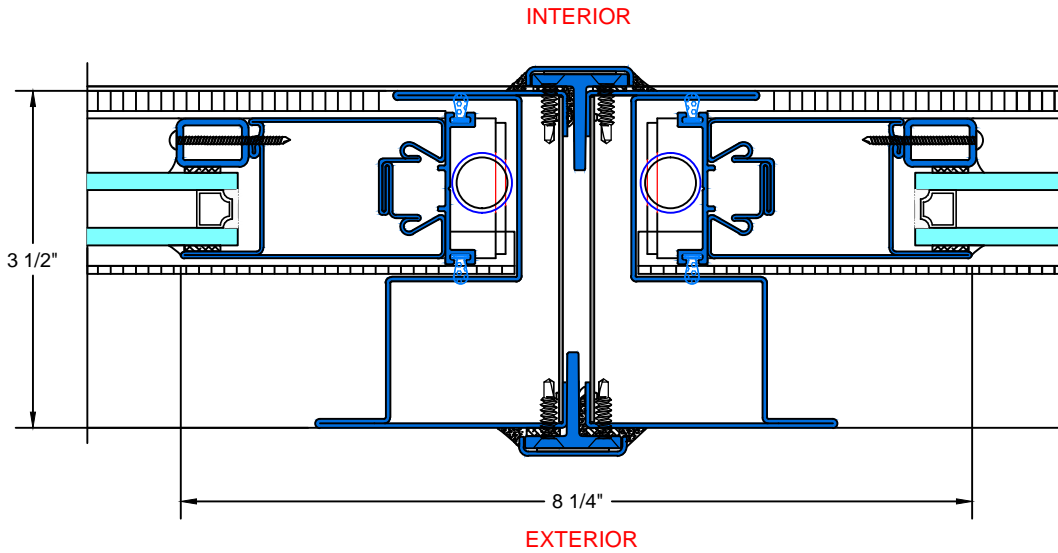
# 7650 TSH<sub>SERIES</sub>

PAGE 5 OF 7

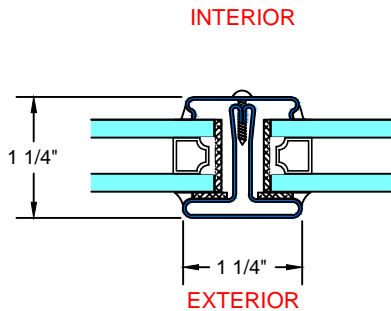
UL APPROVED AND CERTIFIED  
SELF-CLOSING SINGLE HUNG

3/4 HOUR FIRE RATED WHEN GLAZED WITH 1/4" WIRE GLASS

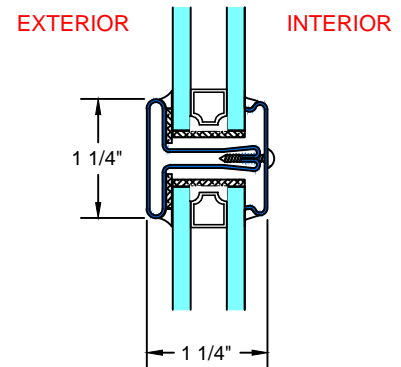
1 1/2 HOUR FIRE RATED WHEN GLAZED WITH 3/16" CERAMIC & FIRE RATED GLAZING TAPE



**L** TYPICAL JOINING MULLION



**M** TYPICAL VERTICAL MUNTIN



**N** TYPICAL HORIZONTAL MUNTIN



28 Canal Street, Ellenville, NY 12428  
Phone (845) 647-1900

# FIRE

## TYPICAL DETAILS

Scale: 1:2

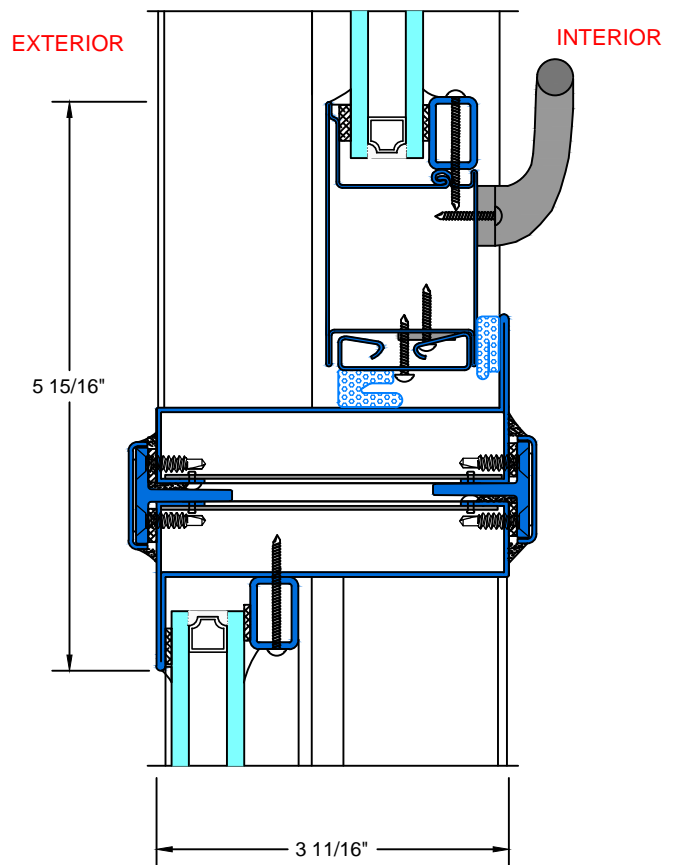
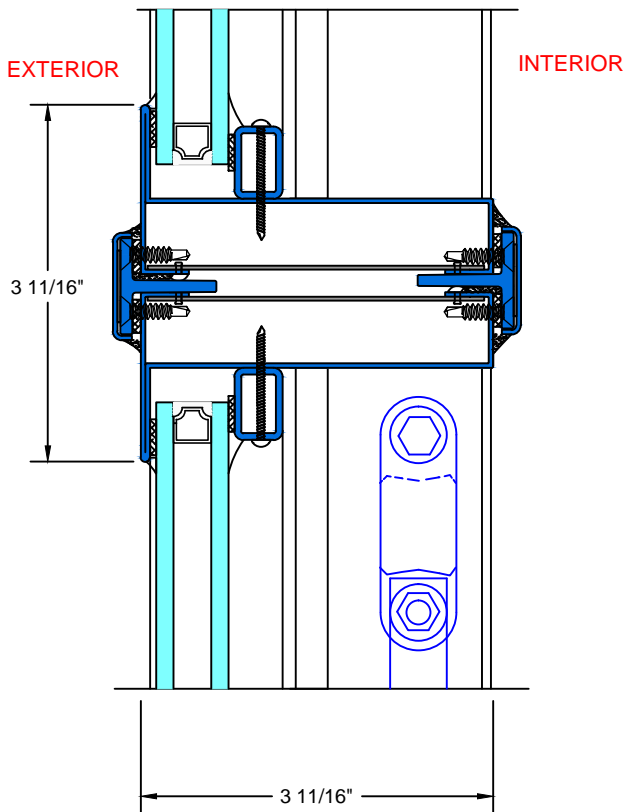
# 7650 TSH<sub>SERIES</sub>

PAGE 6 OF 7

UL APPROVED AND CERTIFIED  
SELF-CLOSING SINGLE HUNG

3/4 HOUR FIRE RATED WHEN GLAZED WITH 1/4" WIRE GLASS

1 1/2 HOUR FIRE RATED WHEN GLAZED WITH 3/16" CERAMIC & FIRE RATED GLAZING TAPE



**P** TYPICAL STACKING MULLION  
W/ TRANSOM ABOVE

**Q** TYPICAL STACKING MULLION  
W/ TRANSOM BELOW



28 Canal Street, Ellenville, NY 12428  
Phone (845) 647-1900

# FIRE

## GLAZING OPTIONS

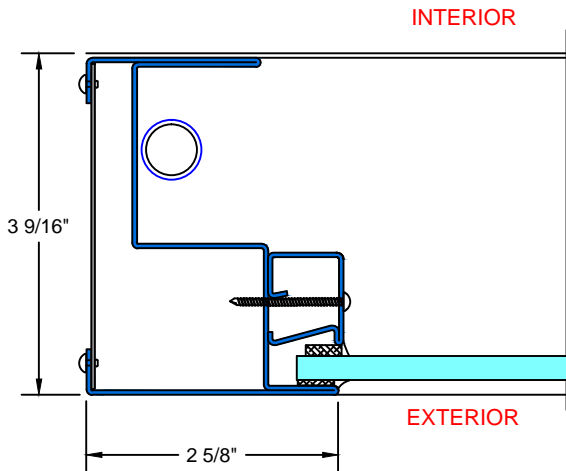
# 7650 TSH<sub>SERIES</sub>

Scale: 1:2

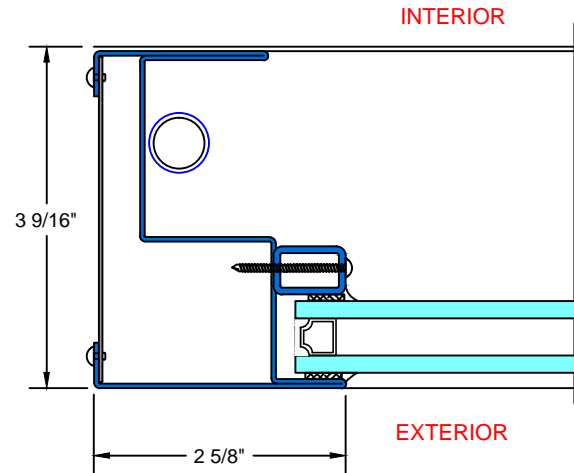
UL APPROVED AND CERTIFIED  
SELF-CLOSING SINGLE HUNG

PAGE 7 OF 7

3/4 HOUR FIRE RATED WHEN GLAZED WITH 1/4" WIRE GLASS  
1 1/2 HOUR FIRE RATED WHEN GLAZED WITH 3/16" CERAMIC & FIRE RATED GLAZING TAPE



**1** TYPICAL FIXED JAMB  
W/ 1/4" GLASS



**2** TYPICAL FIXED JAMB  
W/ 3/4" GLASS



28 Canal Street, Ellenville, NY 12428  
Phone (845) 647-1900