

FLEX

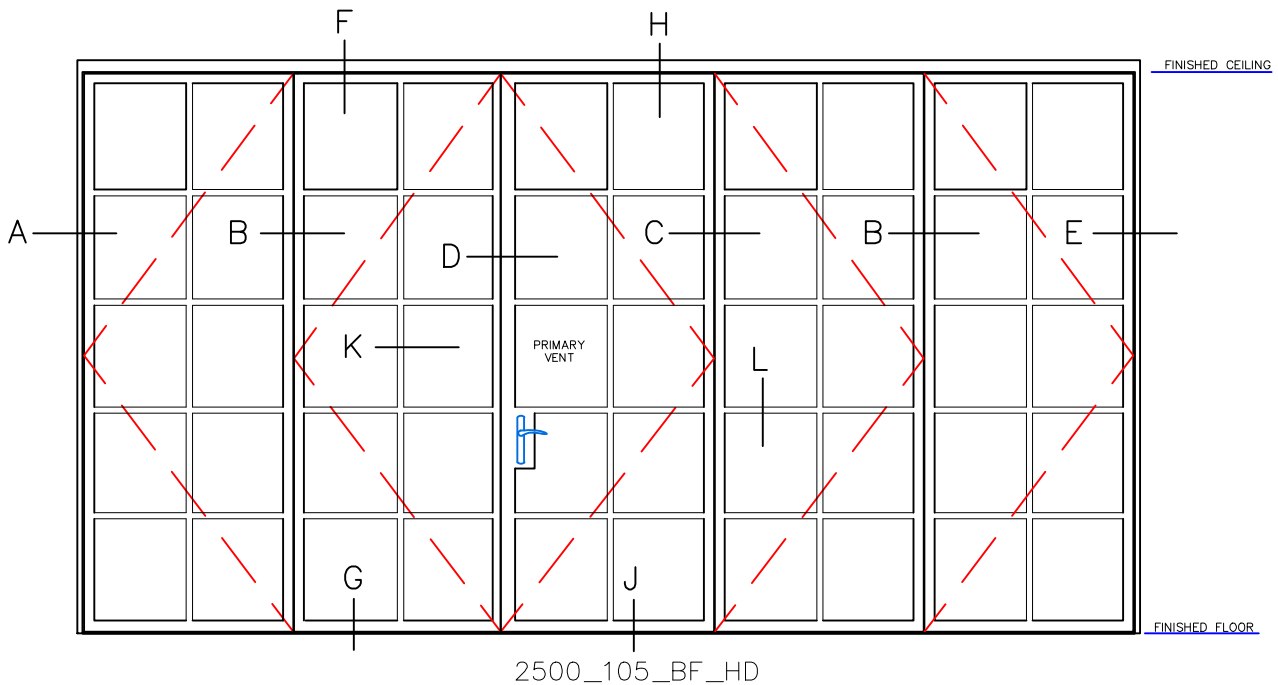
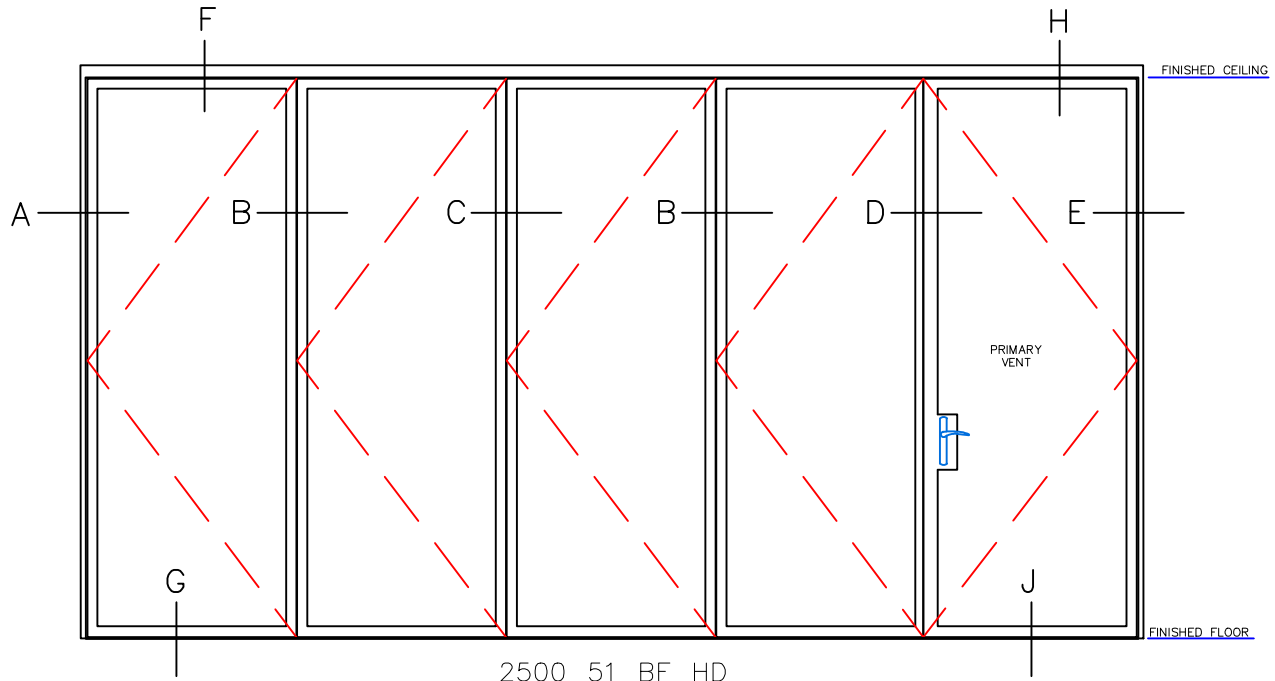
# Typical Exterior Elevations

# 2500-BF-HD SERIES

HEAVY DUTY BI-FOLD DOOR  
Scale: Not To Scale

Thermally Broken  
Cold Rolled Steel  
Up To 1-1/4" Insulated Glass

PAGE 1 OF 8



28 Canal Street, Ellenville, NY 12428  
Phone (845) 647-1900

FLEX

# 2500-BF-HD SERIES

## Typical Details

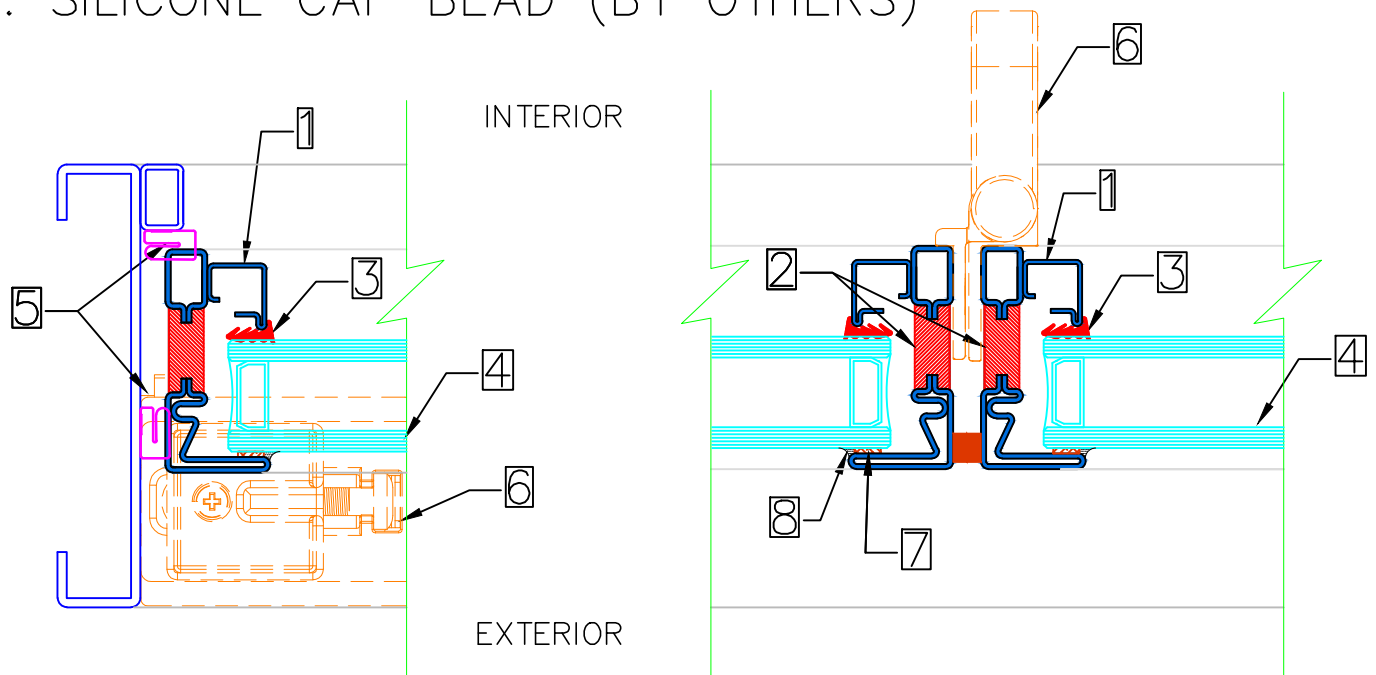
**HEAVY DUTY BI-FOLD DOOR**  
Scale: Half Scale

Thermally Broken  
Cold Rolled Steel  
Up To 1-1/4" Insulated Glass

**PAGE 2 OF 8**

## KEY (TYPICAL)

1. STEEL GLAZING BEAD
2. THERMAL BREAK
3. WEDGE GASKET
4. GLASS AND GLAZING (BY OTHERS)
5. WEATHER STRIPPING (EXTRUDED EPM)
6. BI-FOLD DOOR HARDWARE
7. GLAZING TAPE (BY OTHERS)
8. SILICONE CAP BEAD (BY OTHERS)



28 Canal Street, Ellenville, NY 12428  
Phone (845) 647-1900

FLEX

# 2500-BF-HD SERIES

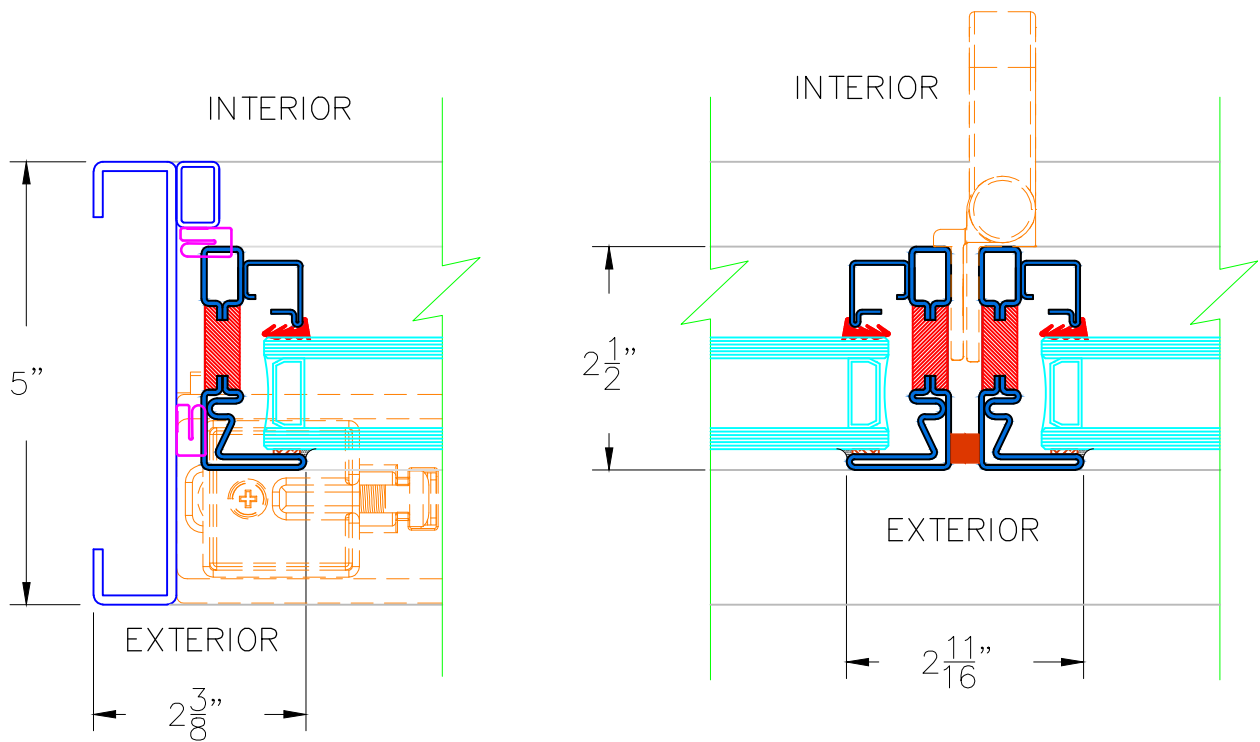
## Typical Details

HEAVY DUTY BI-FOLD DOOR

Scale: Half Scale

Thermally Broken  
Cold Rolled Steel  
Up To 1-1/4" Insulated Glass

PAGE 3 OF 8



**A** TYPICAL JAMB

**B** TYPICAL MEETING RAIL WITH PULL HANDLE



28 Canal Street, Ellenville, NY 12428  
Phone (845) 647-1900

FLEX

# 2500-BF-HD SERIES

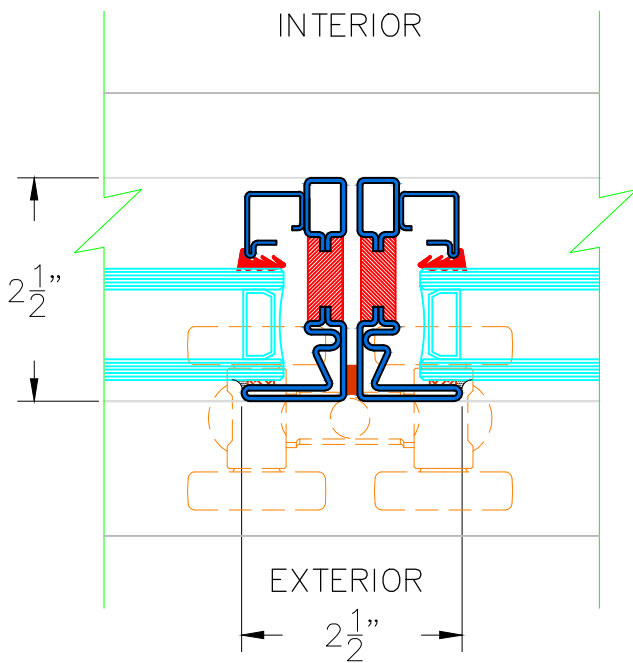
## Typical Details

HEAVY DUTY BI-FOLD DOOR

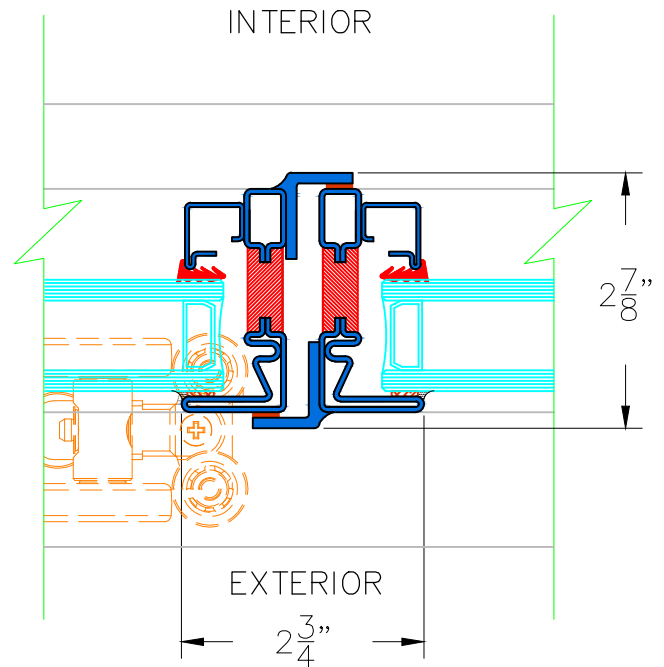
Scale: Half Scale

Thermally Broken  
Cold Rolled Steel  
Up To 1-1/4" Insulated Glass

PAGE 4 OF 8



**C** TYPICAL MEETING RAIL



**D** TYPICAL FRENCH MEETING RAIL



28 Canal Street, Ellenville, NY 12428  
Phone (845) 647-1900

FLEX

# 2500-BF-HD SERIES

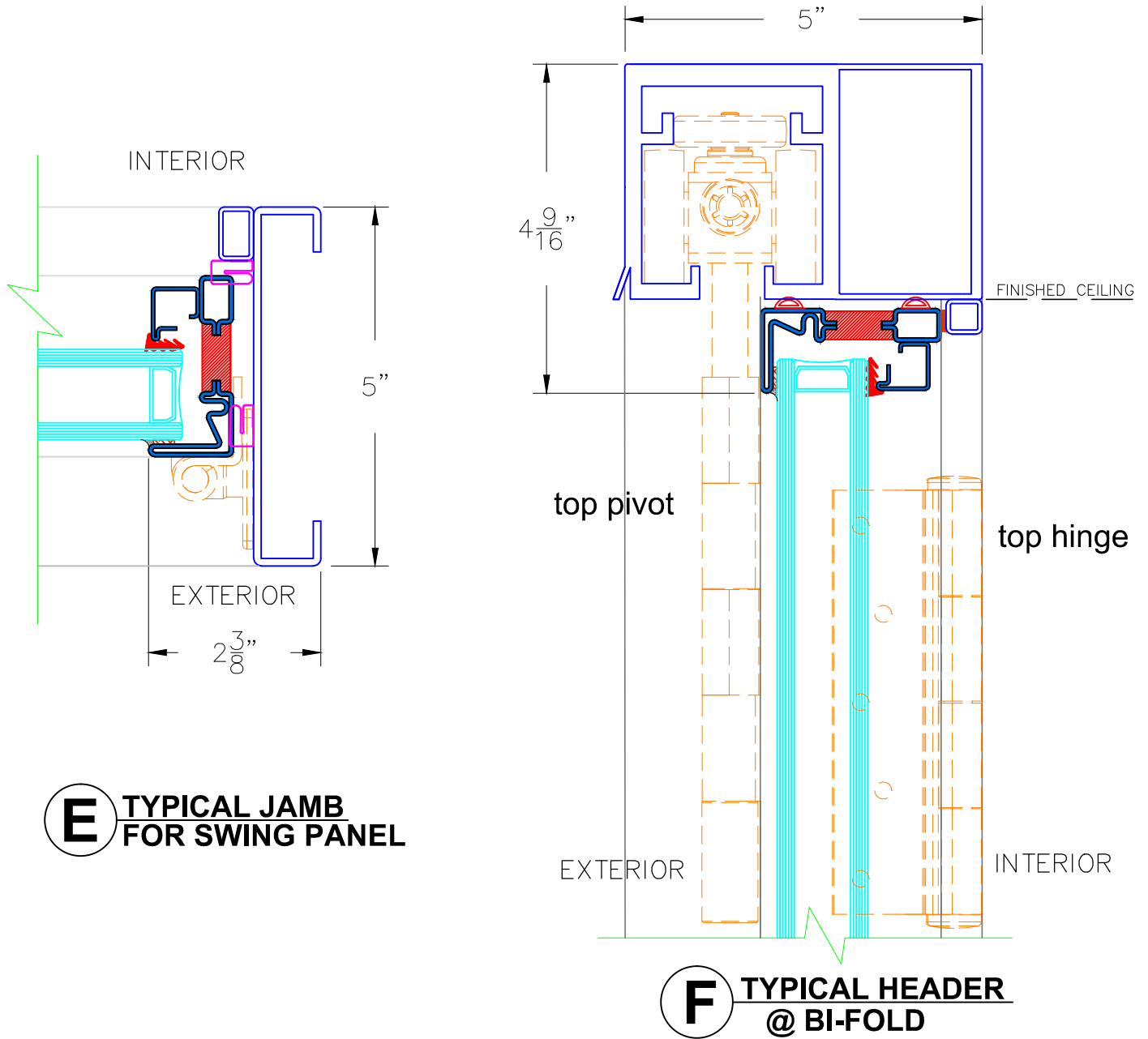
## Typical Details

HEAVY DUTY BI-FOLD DOOR

Scale: Half Scale

Thermally Broken  
Cold Rolled Steel  
Up To 1-1/4" Insulated Glass

PAGE 5 OF 8



**E** TYPICAL JAMB FOR SWING PANEL

**F** TYPICAL HEADER @ BI-FOLD



28 Canal Street, Ellenville, NY 12428  
Phone (845) 647-1900

FLEX

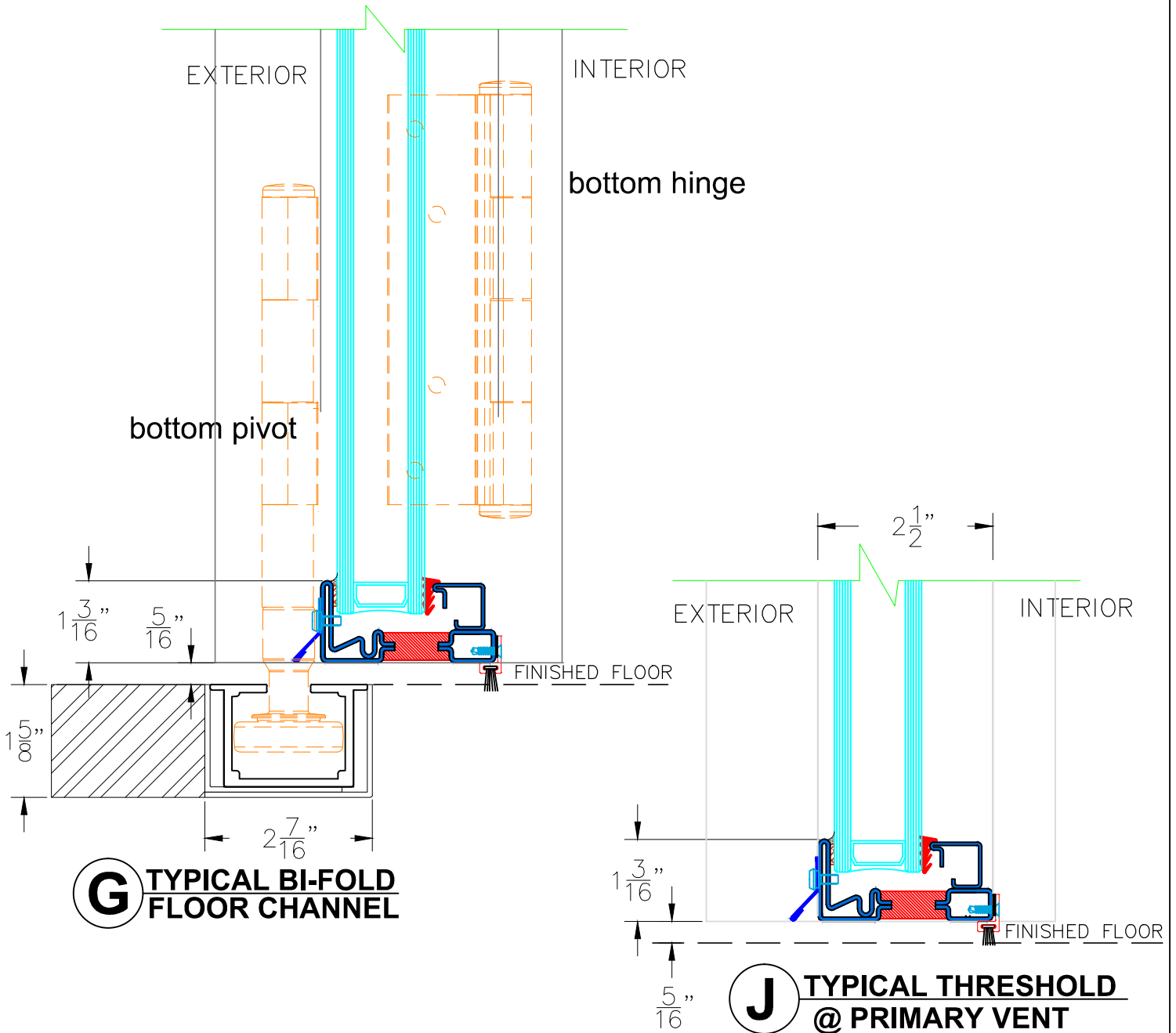
# 2500-BF-HD SERIES

## Typical Details

HEAVY DUTY BI-FOLD DOOR  
Scale: Half Scale

Thermally Broken  
Cold Rolled Steel  
Up To 1-1/4" Insulated Glass

PAGE 6 OF 8



28 Canal Street, Ellenville, NY 12428  
Phone (845) 647-1900

FLEX

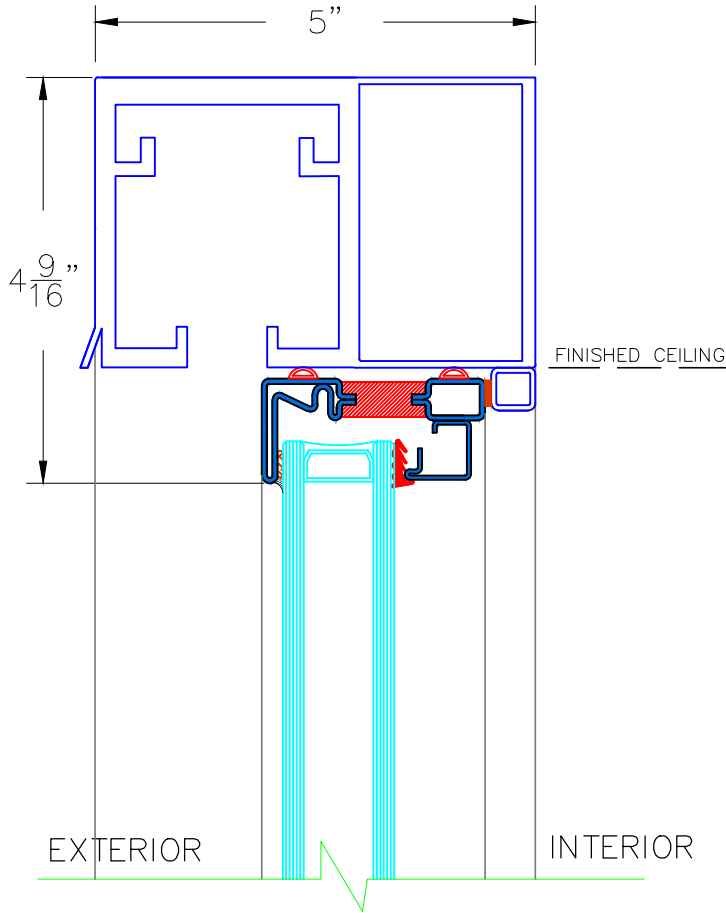
# 2500-BF-HD SERIES

## Typical Details

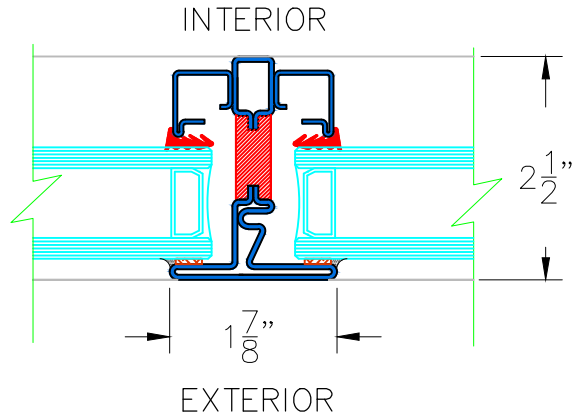
HEAVY DUTY BI-FOLD DOOR  
Scale: Half Scale

Thermally Broken  
Cold Rolled Steel  
Up To 1-1/4" Insulated Glass

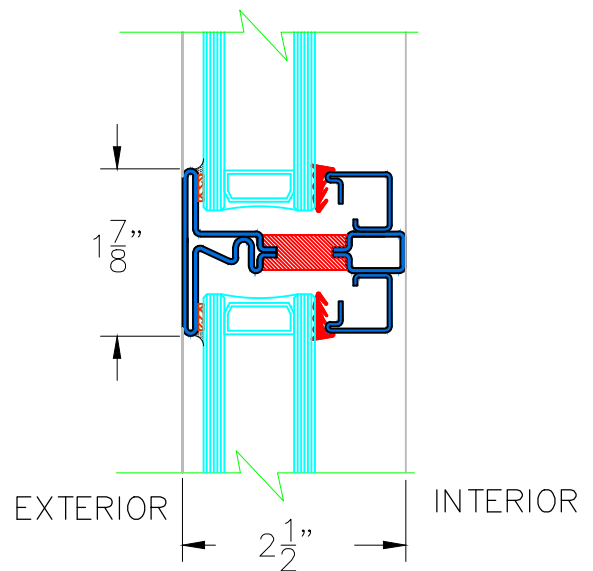
PAGE 7 OF 8



**H** TYPICAL HEADER  
@ PRIMARY VENT



**K** TYPICAL  
VERTICAL MUNTIN



**L** TYPICAL  
HORIZONTAL MUNTIN



28 Canal Street, Ellenville, NY 12428  
Phone (845) 647-1900

FLEX

# 2500-BF-HD SERIES

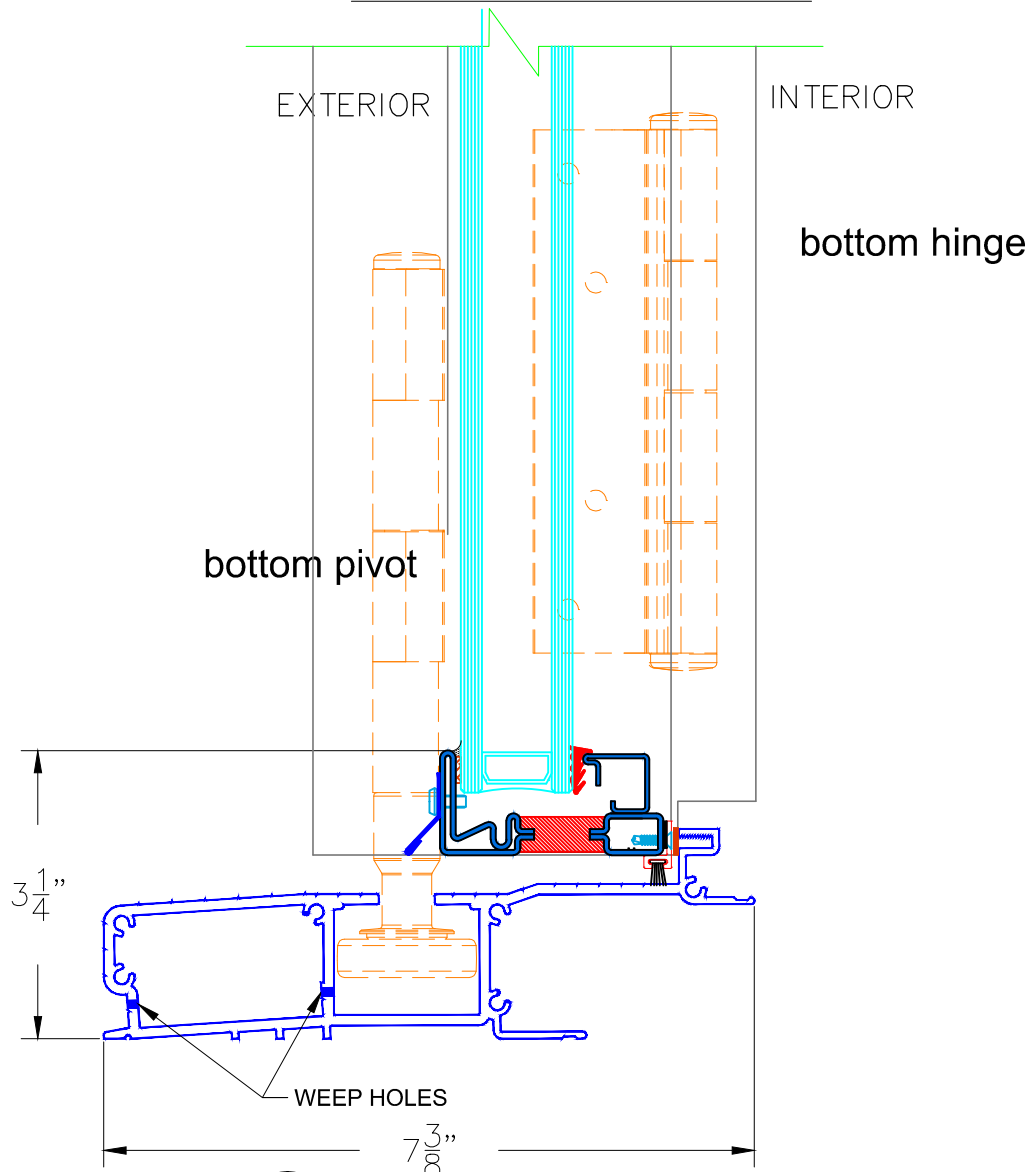
## Typical Details

HEAVY DUTY BI-FOLD DOOR  
Scale: Half Scale

Thermally Broken  
Cold Rolled Steel  
Up To 1-1/4" Insulated Glass

PAGE 8 OF 8

### OPTIONAL TRACK



### 1 OPTIONAL BIFOLD SILL SYSTEM



28 Canal Street, Ellenville, NY 12428  
Phone (845) 647-1900