

FLEX

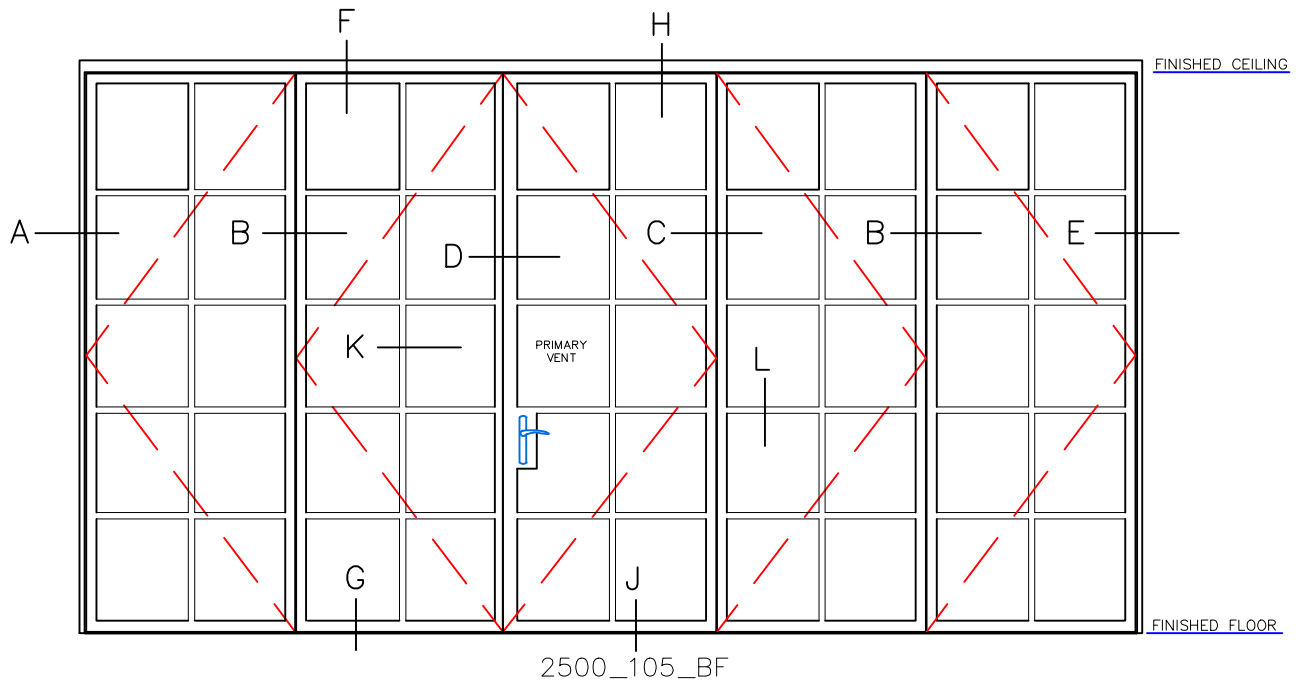
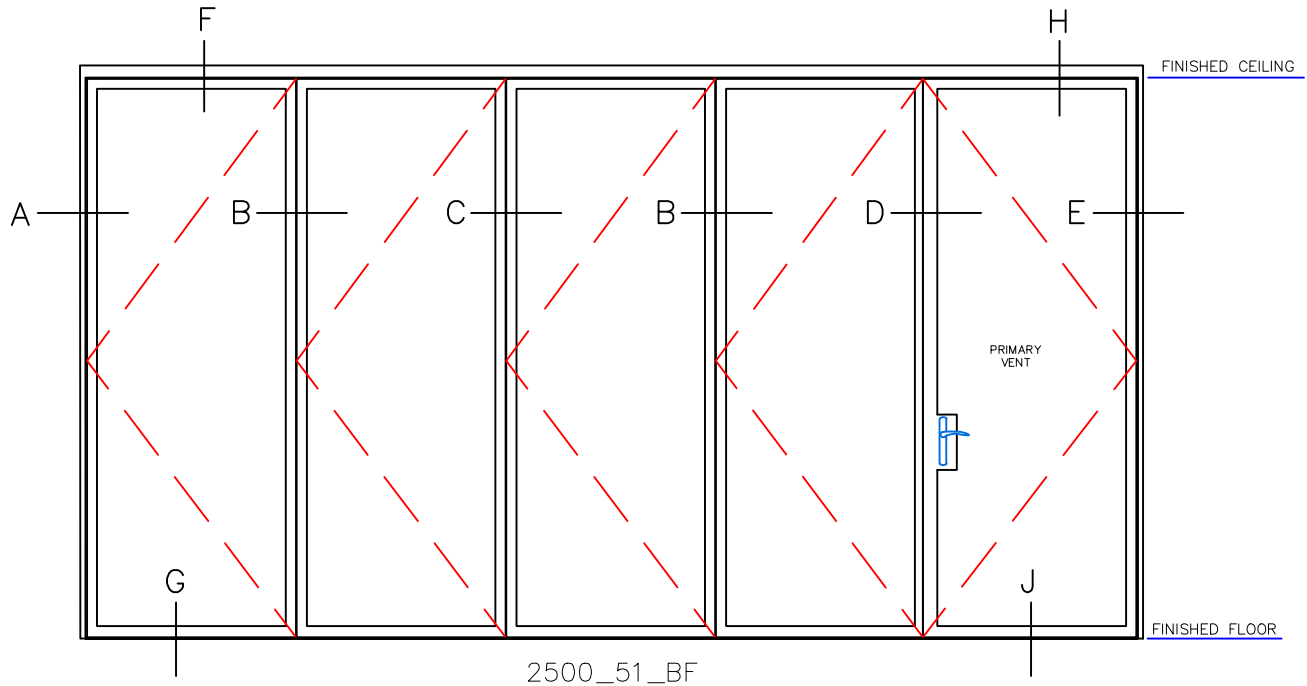
Typical Exterior Elevations

2500-BF SERIES

BI-FOLD DOOR
Scale: Not To Scale

Thermally Broken
Cold Rolled Steel
Up To 1-1/4" Insulated Glass

PAGE 1 OF 7



28 Canal Street, Ellenville, NY 12428
Phone (845) 647-1900

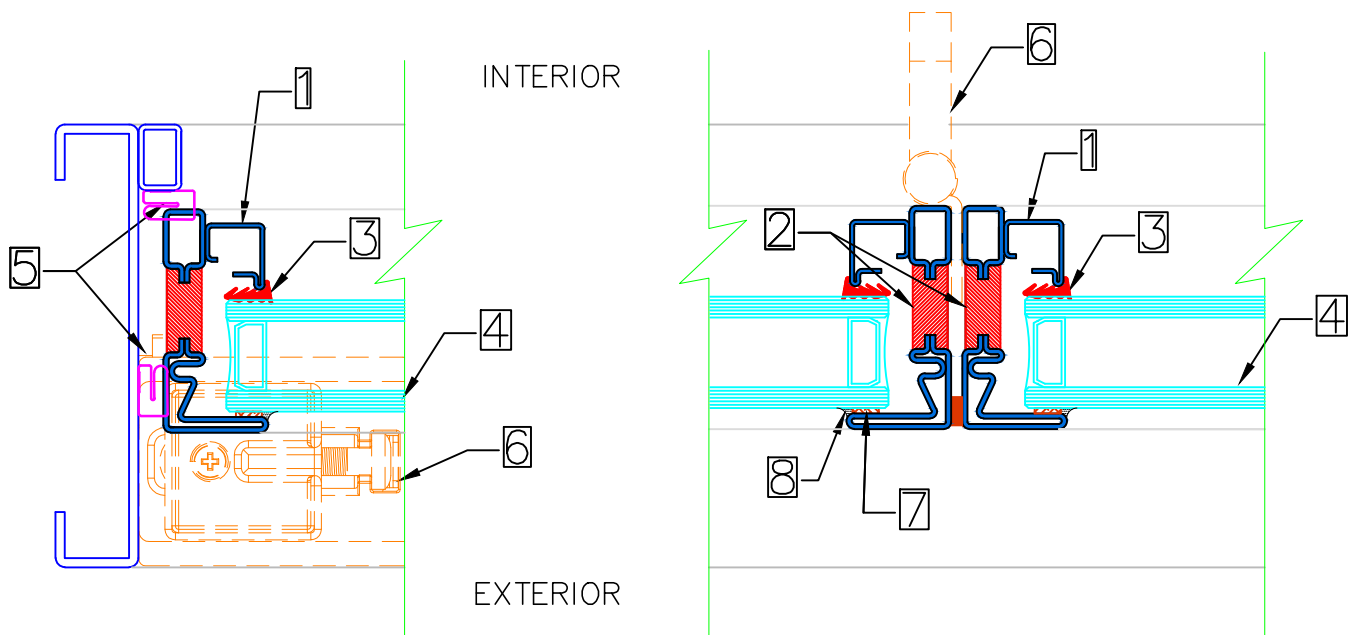
BI-FOLD DOOR
Scale: Half Scale

Thermally Broken
Cold Rolled Steel
Up To 1-1/4" Insulated Glass

PAGE 2 OF 7

KEY (TYPICAL)

1. STEEL GLAZING BEAD
2. THERMAL BREAK
3. WEDGE GASKET
4. GLASS AND GLAZING (BY OTHERS)
5. WEATHER STRIPPING (EXTRUDED EPM)
6. BI-FOLD DOOR HARDWARE
7. GLAZING TAPE (BY OTHERS)
8. SILICONE CAP BEAD (BY OTHERS)



28 Canal Street, Ellenville, NY 12428
Phone (845) 647-1900

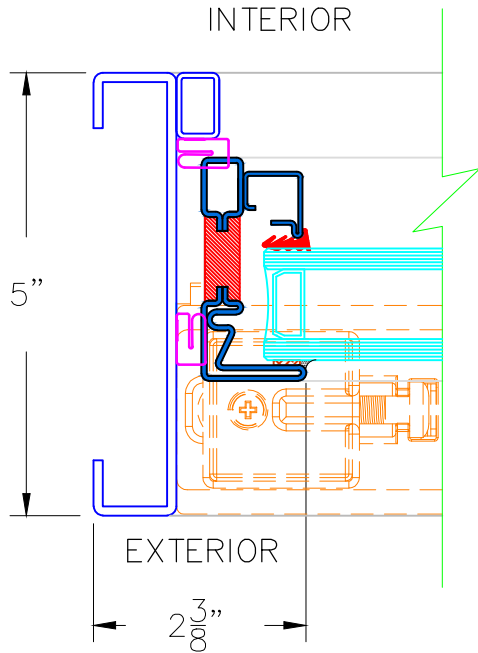
Typical Details

2500-BF SERIES

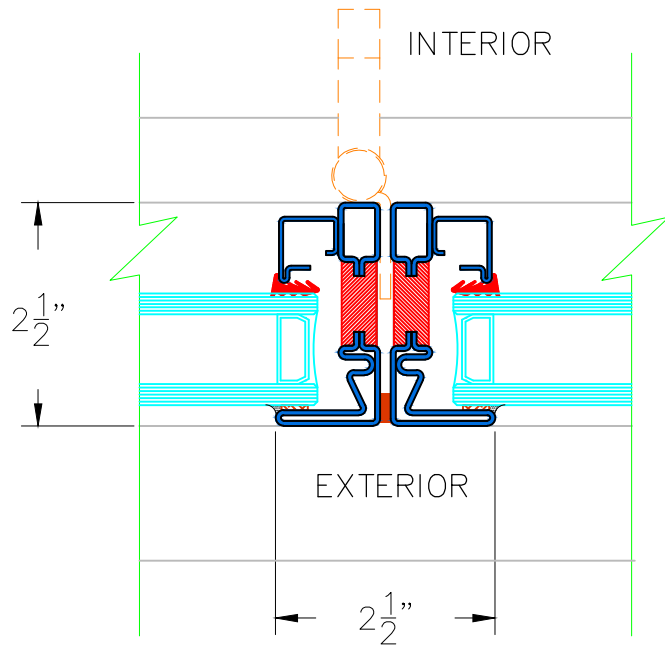
BI-FOLD DOOR
Scale: Half Scale

Thermally Broken
Cold Rolled Steel
Up To 1-1/4" Insulated Glass

PAGE 3 OF 7



A TYPICAL JAMB



B TYPICAL MEETING RAIL WITH PULL HANDLE



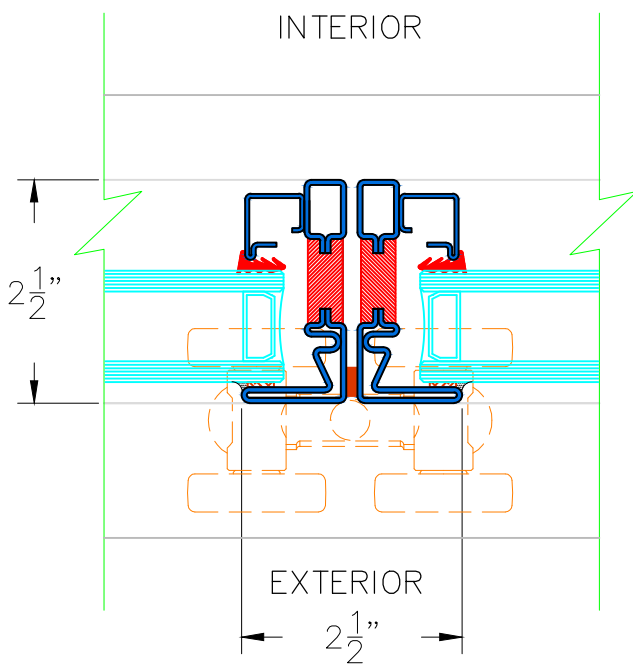
Typical Details

2500-BF SERIES

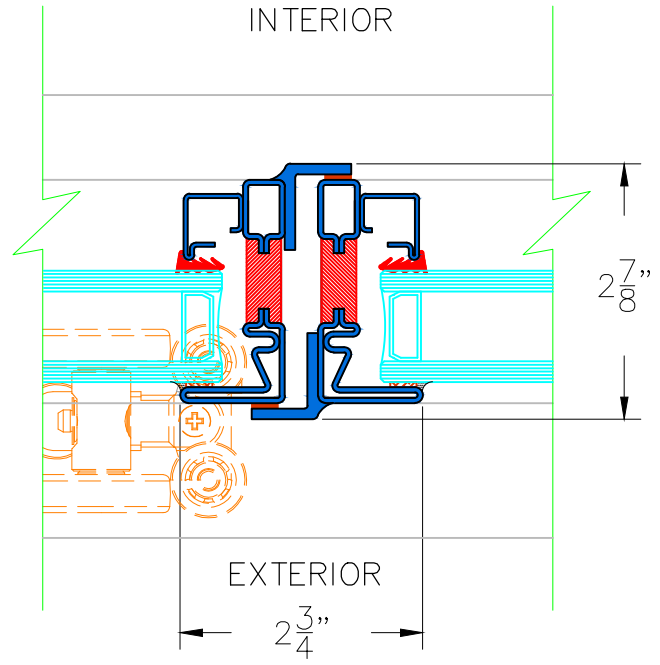
BI-FOLD DOOR
Scale: Half Scale

Thermally Broken
Cold Rolled Steel
Up To 1-1/4" Insulated Glass

PAGE 4 OF 7



C TYPICAL MEETING RAIL



D TYPICAL FRENCH MEETING RAIL



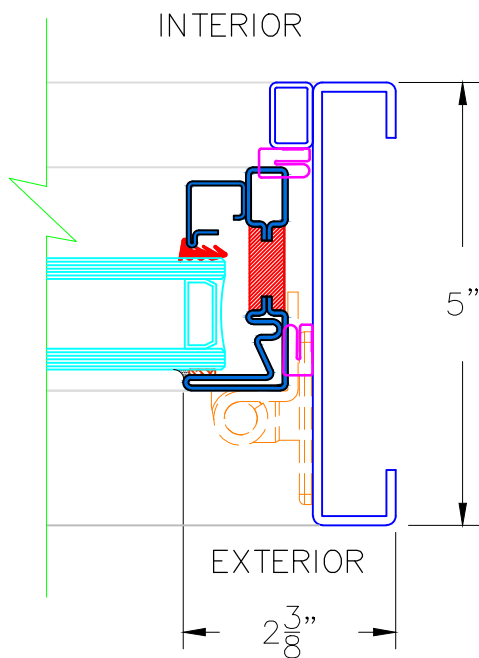
Typical Details

2500-BF SERIES

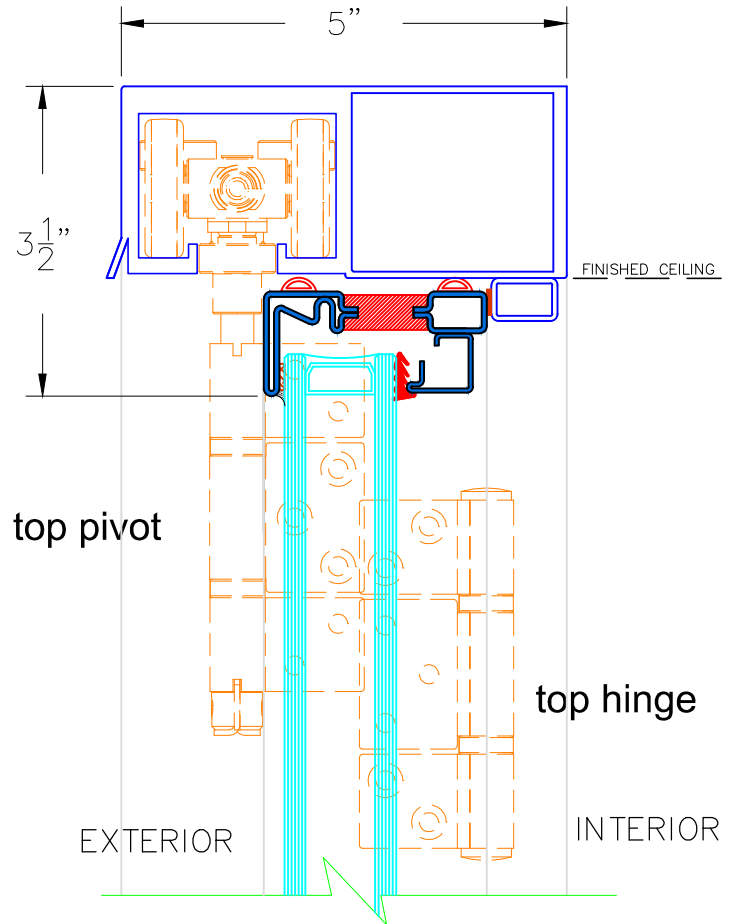
BI-FOLD DOOR
Scale: Half Scale

Thermally Broken
Cold Rolled Steel
Up To 1-1/4" Insulated Glass

PAGE 5 OF 7



E TYPICAL JAMB
FOR SWING PANEL



F TYPICAL HEADER
@ BI-FOLD



28 Canal Street, Ellenville, NY 12428
Phone (845) 647-1900

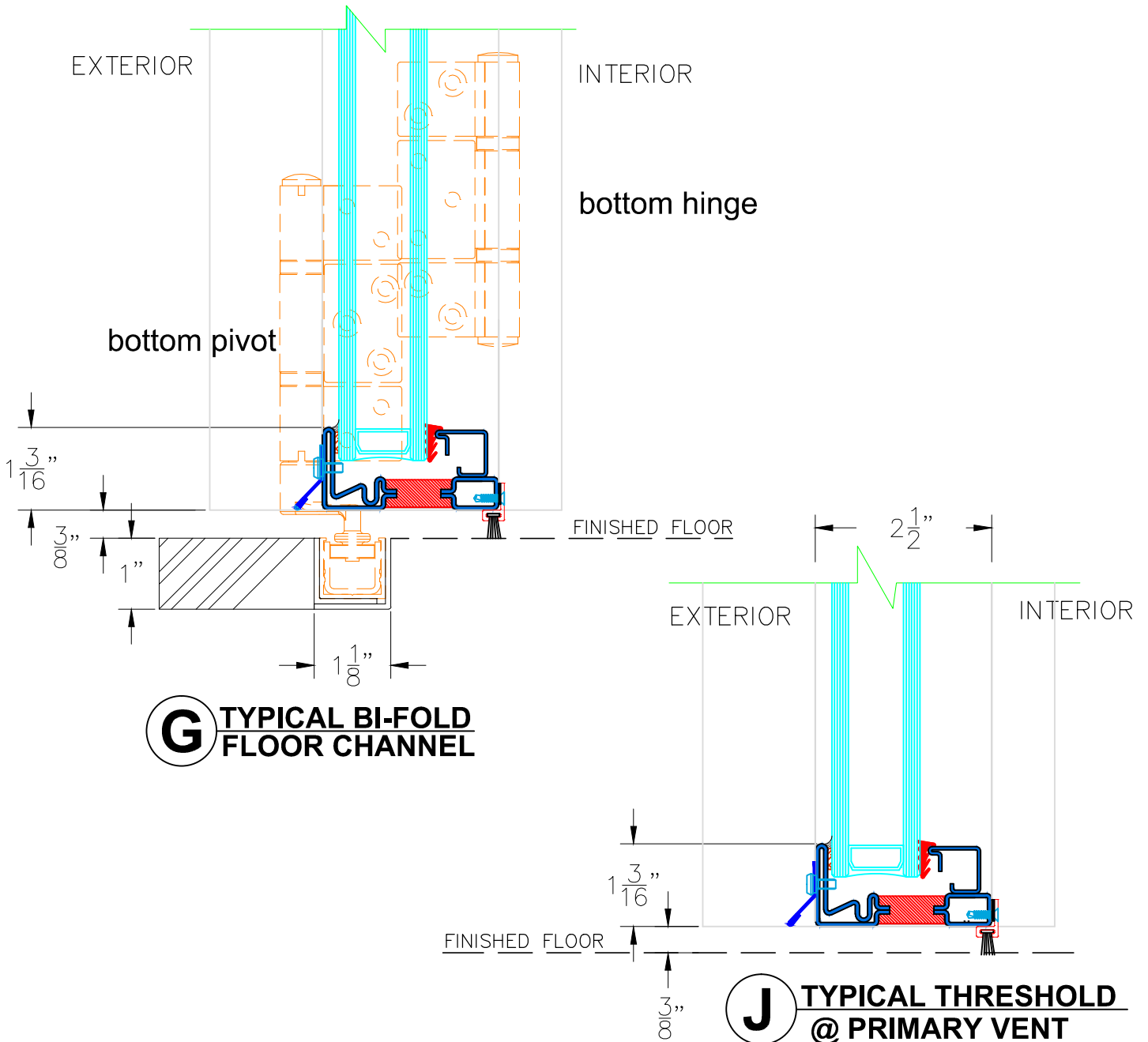
Typical Details

2500-BF SERIES

BI-FOLD DOOR
Scale: Half Scale

Thermally Broken
Cold Rolled Steel
Up To 1-1/4" Insulated Glass

PAGE 6 OF 7



G TYPICAL BI-FOLD FLOOR CHANNEL

J TYPICAL THRESHOLD @ PRIMARY VENT



28 Canal Street, Ellenville, NY 12428
Phone (845) 647-1900

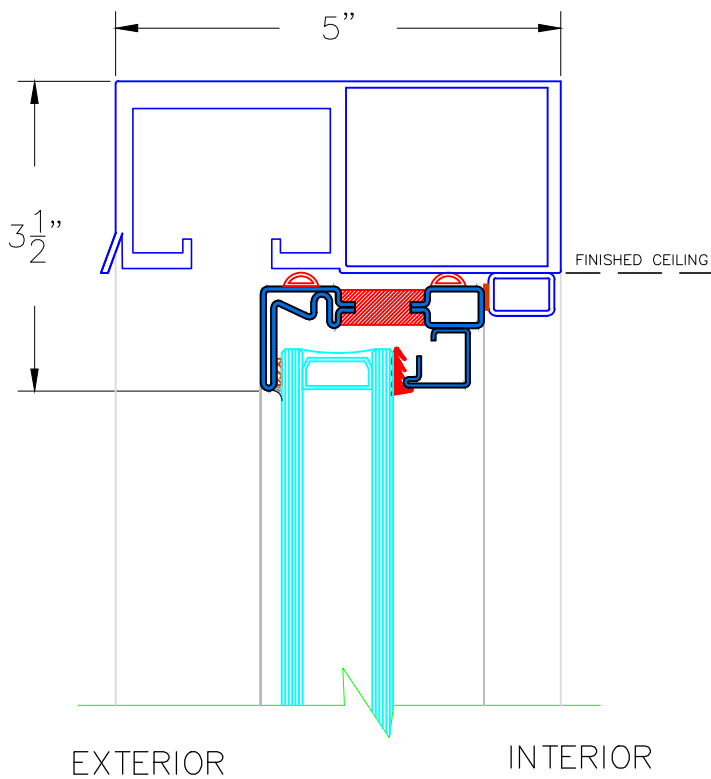
Typical Details

2500-BF SERIES

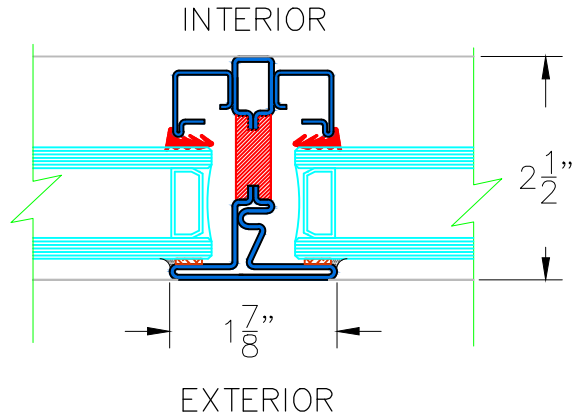
BI-FOLD DOOR
Scale: Half Scale

Thermally Broken
Cold Rolled Steel
Up To 1-1/4" Insulated Glass

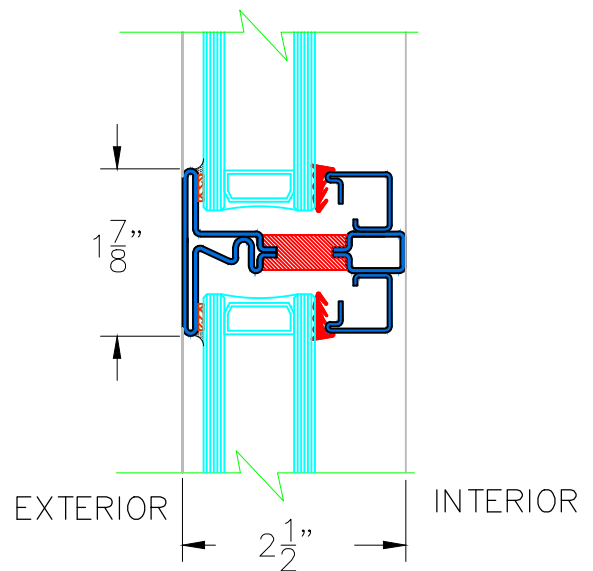
PAGE 7 OF 7



H TYPICAL HEADER
@ PRIMARY VENT



K TYPICAL
VERTICAL MUNTIN



L TYPICAL
HORIZONTAL MUNTIN



28 Canal Street, Ellenville, NY 12428
Phone (845) 647-1900