

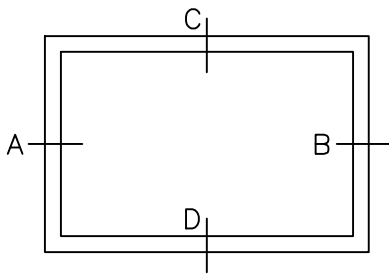
Typical Exterior Elevations

2500-FX SERIES

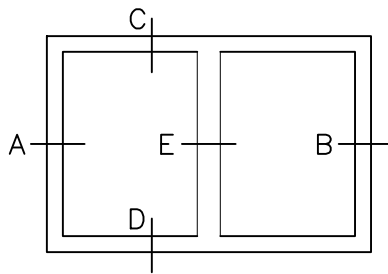
FIXED
Scale: Not To Scale

Thermally Broken
Cold Rolled Steel
Up To 1-1/4" Insulated Glass

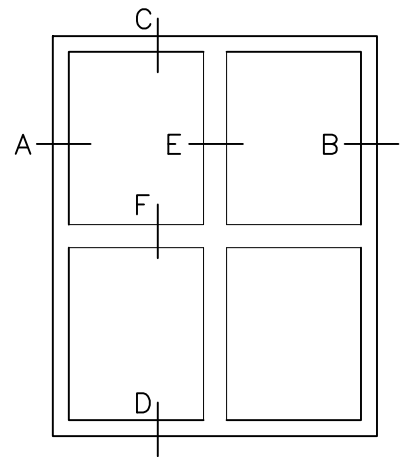
PAGE 1 OF 5



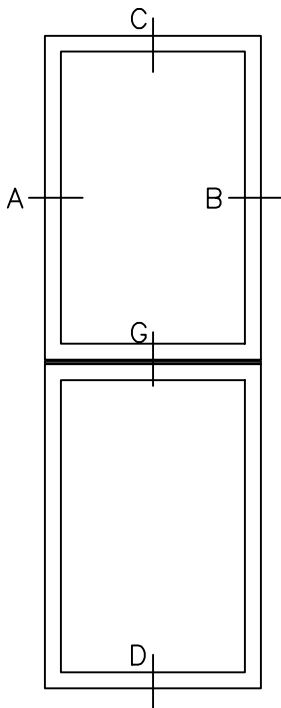
6511-FX



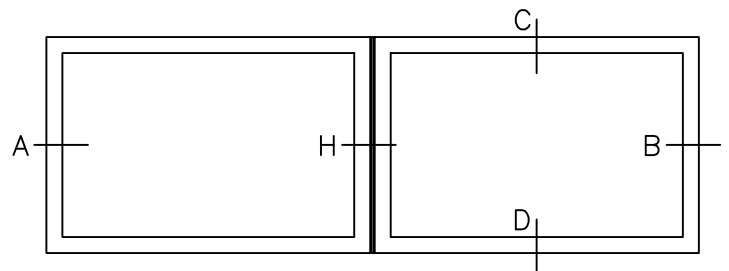
6521-FX



6522-FX



6512-FX-FX



6521-FX-FX



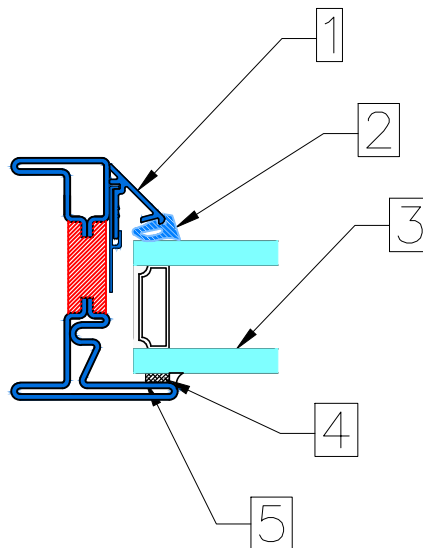
FIXED
Scale: Half Scale

Thermally Broken
Cold Rolled Steel
Up To 1-1/4" Insulated Glass

PAGE 2 OF 5

KEY (TYPICAL)

1. Steel glazing bead
2. Extruded EPDM wedge gasket
3. Glass and glazing (by others)
4. Silicone cap bead (by others)
5. Glazing tape (by others)

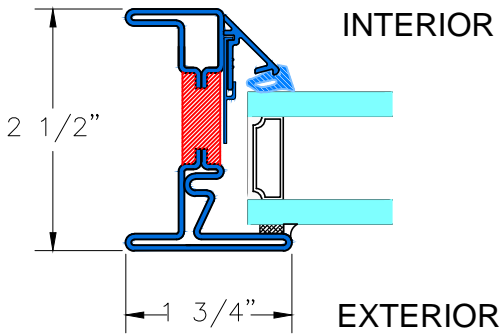


Typical Details

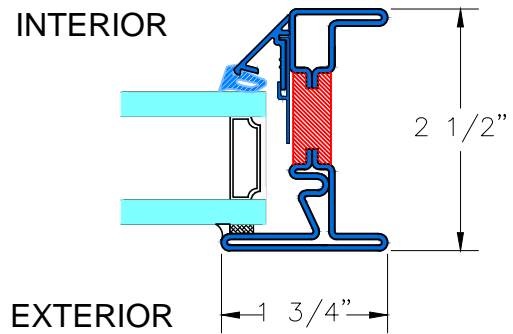
FIXED
Scale: Half Scale

Thermally Broken
Cold Rolled Steel
Up To 1-1/4" Insulated Glass

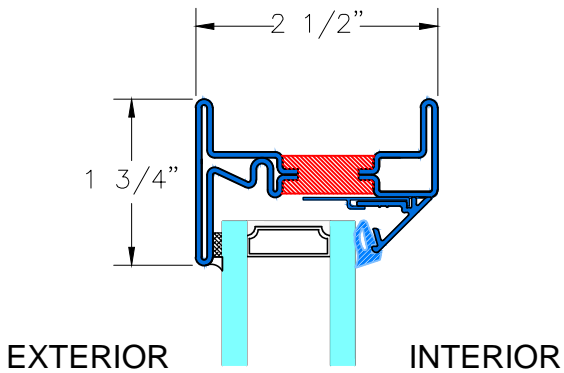
PAGE 3 OF 5



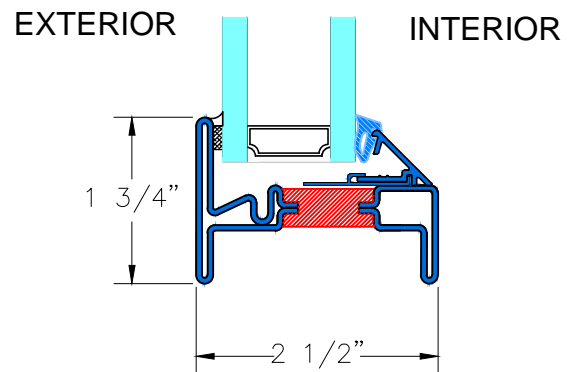
A TYPICAL FIXED JAMB



TYPICAL FIXED JAMB **B**



C TYPICAL FIXED HEAD & SILL



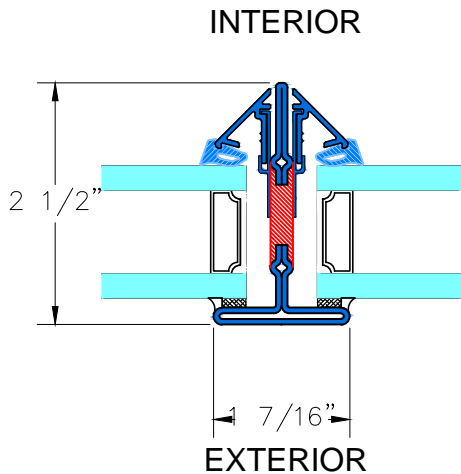
TYPICAL FIXED HEAD & SILL **D**



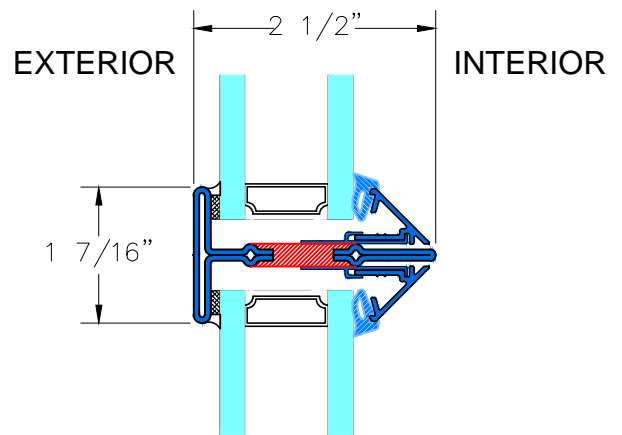
FIXED
Scale: Half Scale

Thermally Broken
Cold Rolled Steel
Up To 1-1/4" Insulated Glass

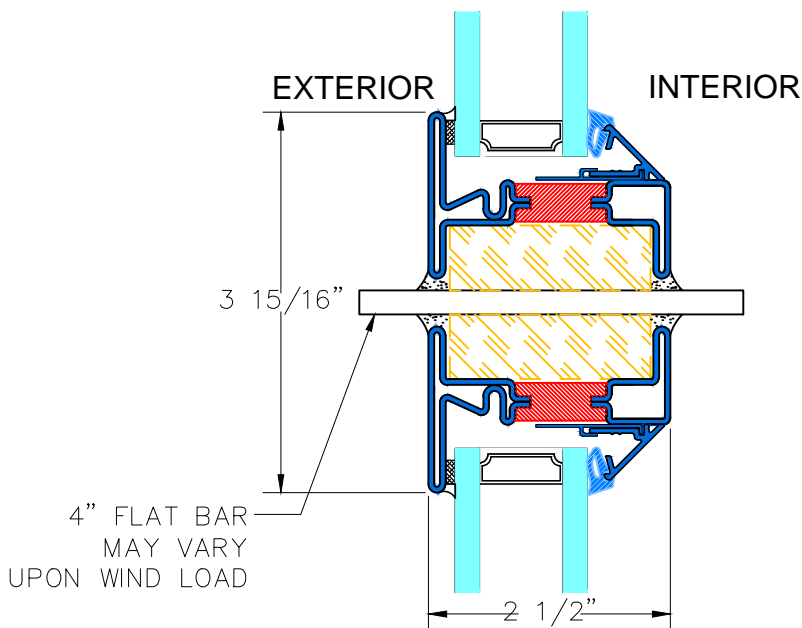
PAGE 4 OF 5



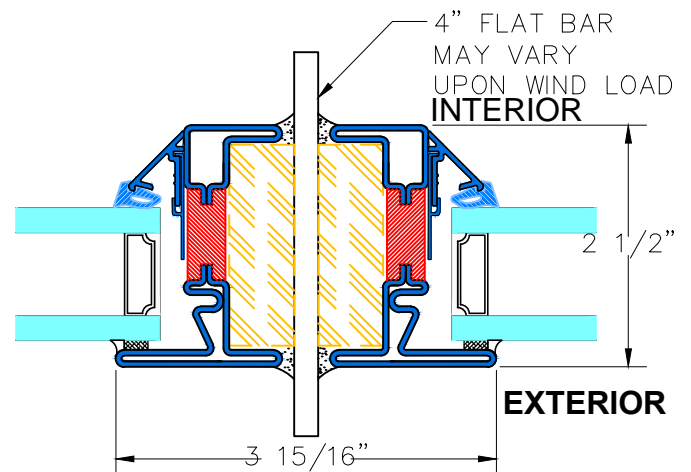
E TYPICAL VERTICAL MUNTIN



F TYPICAL HORIZONTAL MUNTIN



G TYPICAL STACKING MULLION



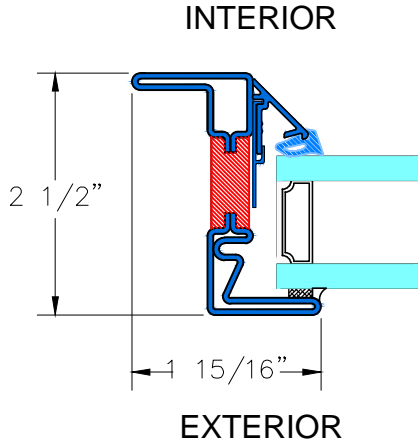
H TYPICAL JOINING MULLION



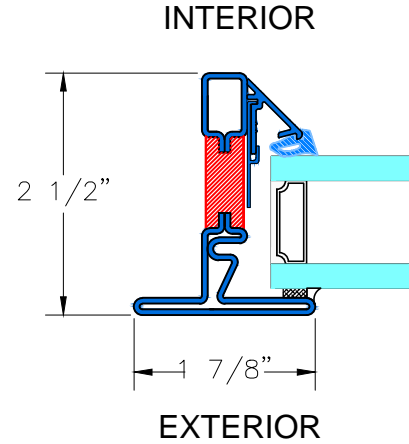
FIXED
Scale: Half Scale

Thermally Broken
Cold Rolled Steel
Up To 1-1/4" Insulated Glass

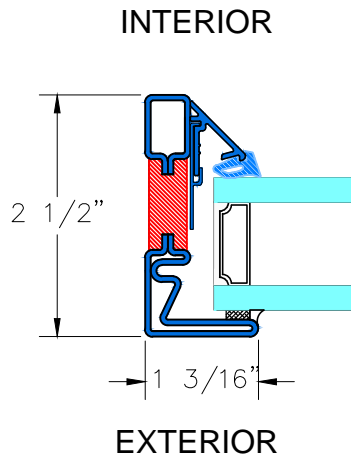
OPTIONAL FLANGE FRAME



1 **TYPICAL JAMB**
INTERIOR FLANGE



2 **TYPICAL JAMB**
EXTERIOR FLANGE



3 **TYPICAL JAMB**
WITH NO FLANGE

