

Typical Exterior Elevations

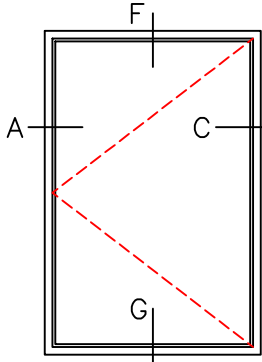
2500-IC SERIES

INSWING CASEMENT / FIXED

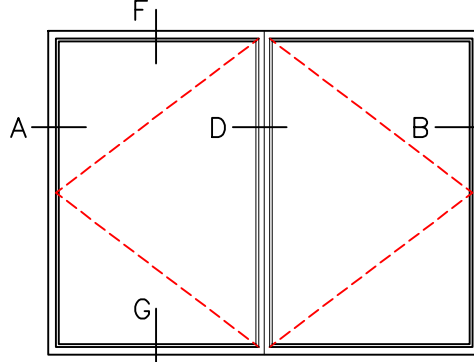
Scale: Not To Scale

Thermally Broken
Cold Rolled Steel
Up To 1-1/4" Insulated Glass

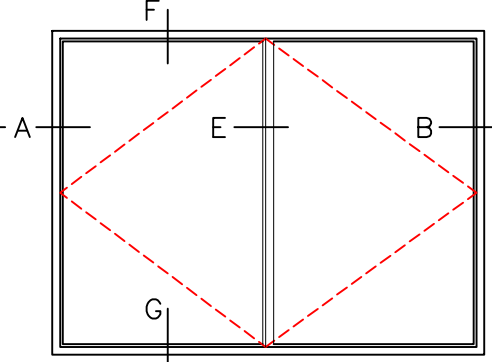
PAGE 1 OF 7



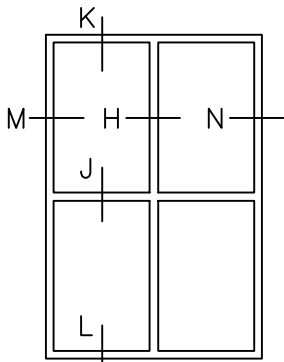
2500_11_IC



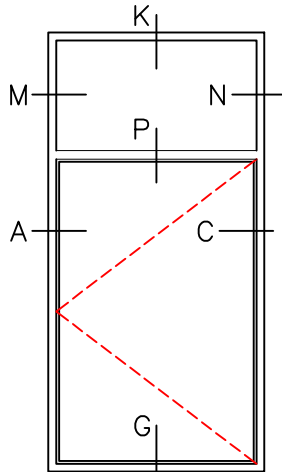
2500_21_DB_IC



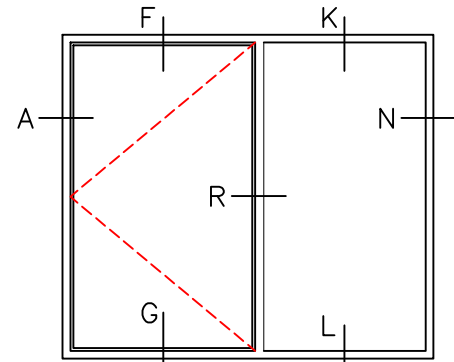
2500_21_FR_IC



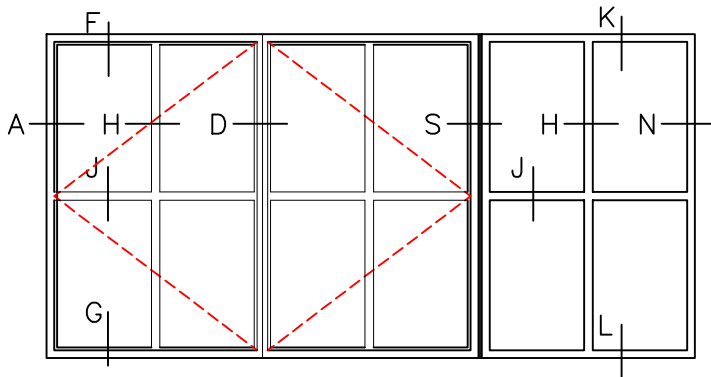
2500_22_FX



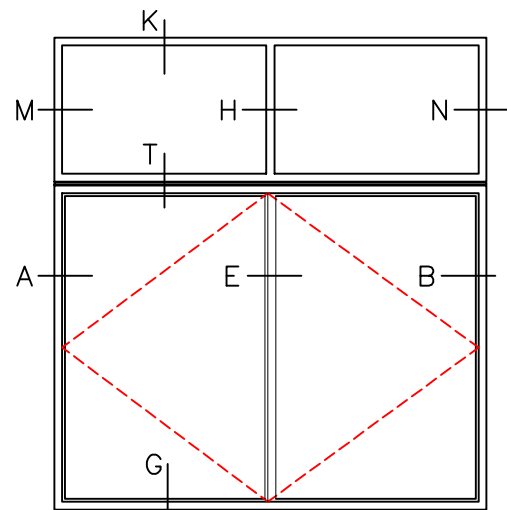
2500_12_IC_FX



2500_21_IC_FX



2500_62_DB_IC_FX



2500_22_FR_IC_FX



Typical Details

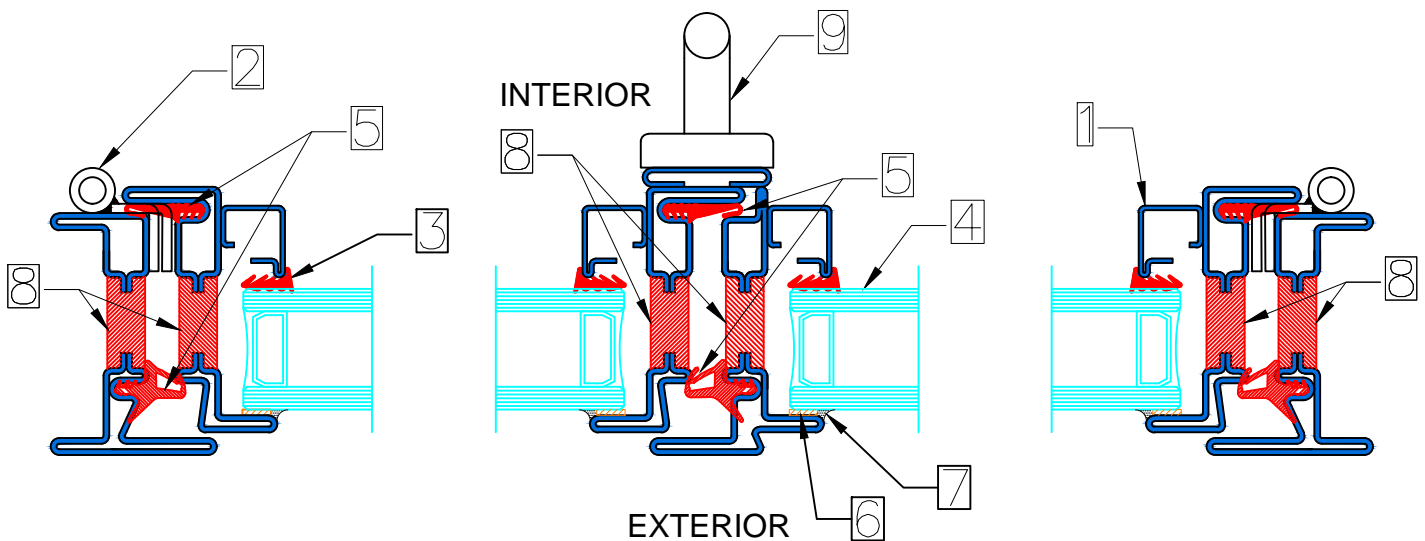
INSWING CASEMENT / FIXED
Scale: Half Scale

PAGE 2 OF 7

Thermally Broken
Cold Rolled Steel
Up To 1-1/4" Insulated Glass

KEY (TYPICAL)

1. STEEL GLAZING BEAD
2. STEEL HINGE
3. WEDGE GASKET
4. GLASS AND GLAZING (BY OTHERS)
5. WEATHER STRIPPING (EXTRUDED EPM)
6. GLAZING TAPE (BY OTHERS)
7. SILICONE CAP BEAD (BY OTHERS)
8. THERMAL BREAK
9. OWM'S STANDARD HARDWARE



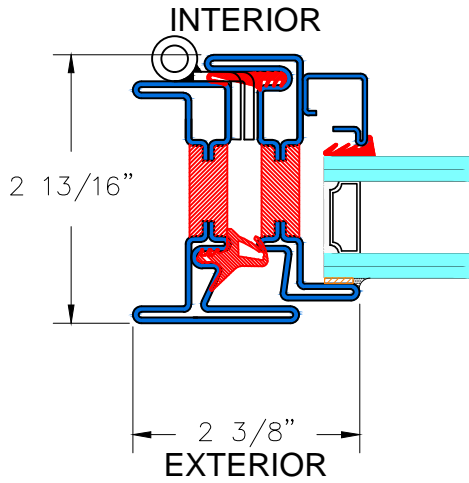
Typical Details

INSWING CASEMENT / FIXED

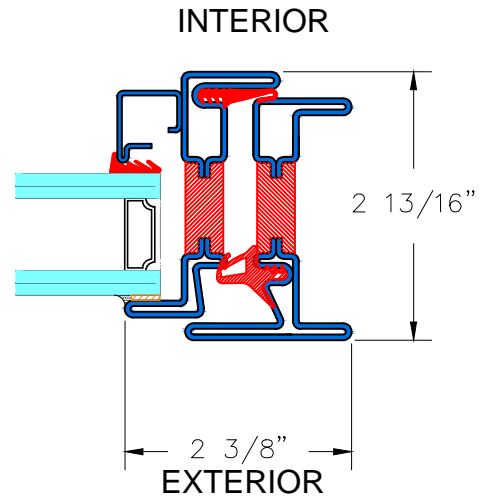
Scale: Half Scale

PAGE 3 OF 7

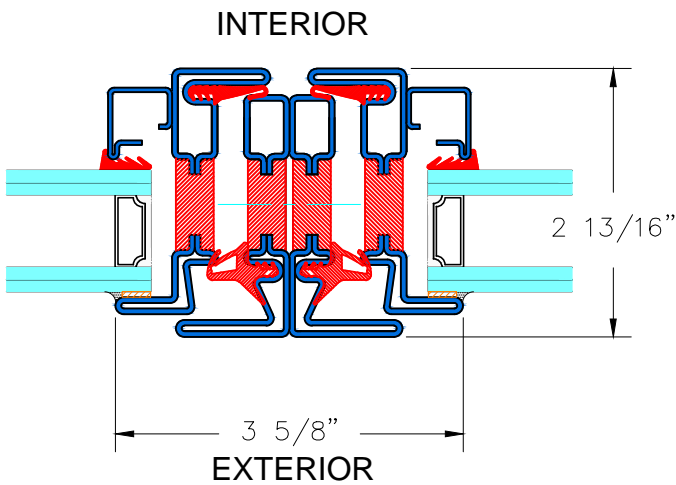
Thermally Broken
Cold Rolled Steel
Up To 1-1/4" Insulated Glass



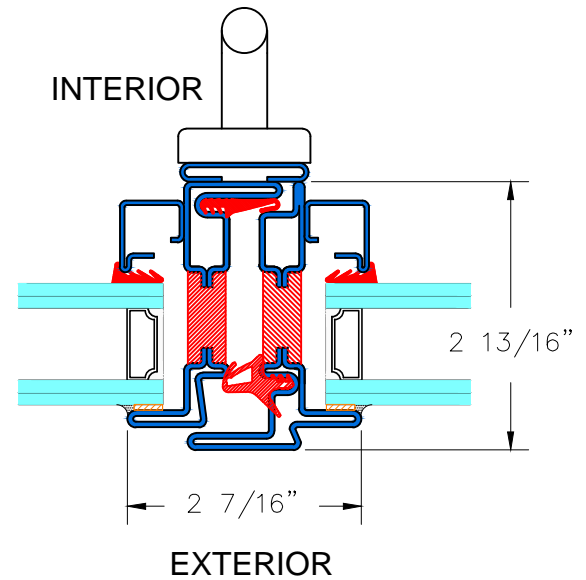
A&B TYPICAL HINGED JAMB



C TYPICAL LOCKING JAMB



D TYPICAL MEETING RAIL



E TYPICAL FRENCH MEETING RAIL

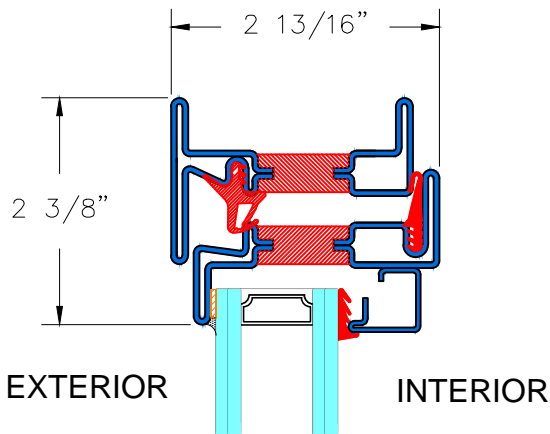


Typical Details

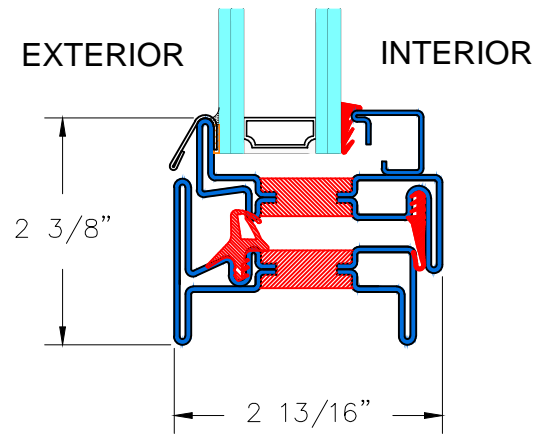
INSWING CASEMENT / FIXED

Scale: Half Scale

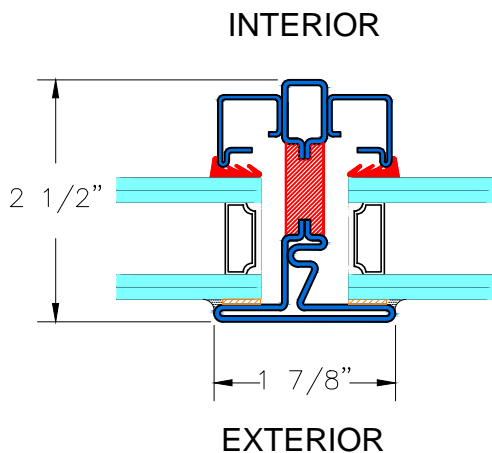
Thermally Broken
Cold Rolled Steel
Up To 1-1/4" Insulated Glass



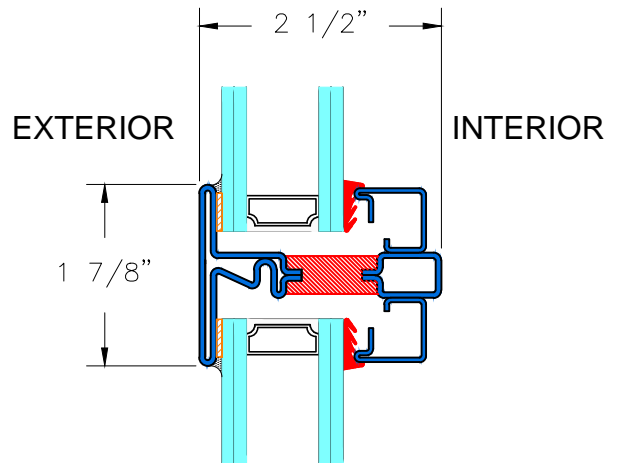
F TYPICAL HEAD



G TYPICAL SILL



H TYPICAL VERTICAL MUNTIN



J TYPICAL HORIZONTAL MUNTIN

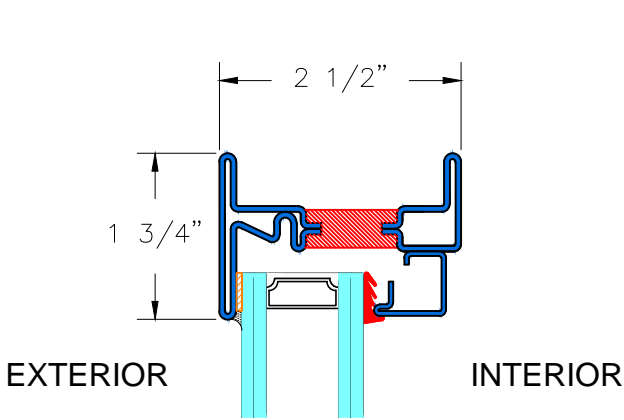


Typical Details

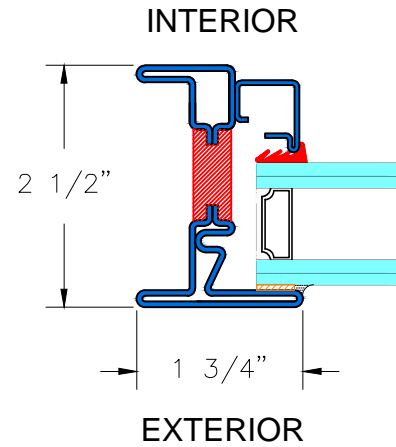
INSWING CASEMENT / FIXED

Scale: Half Scale

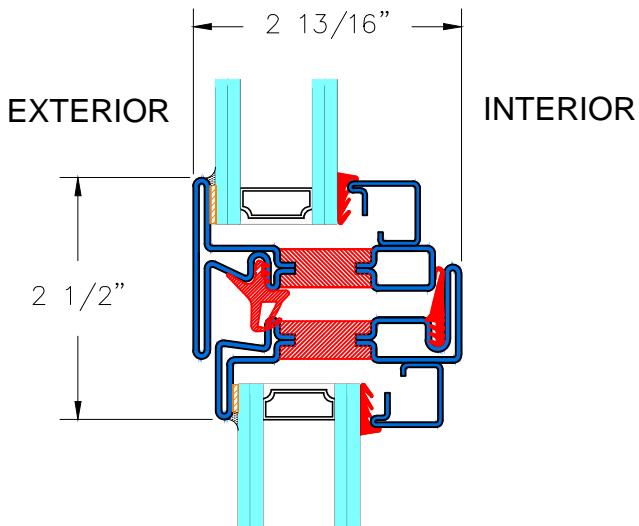
Thermally Broken
Cold Rolled Steel
Up To 1-1/4" Insulated Glass



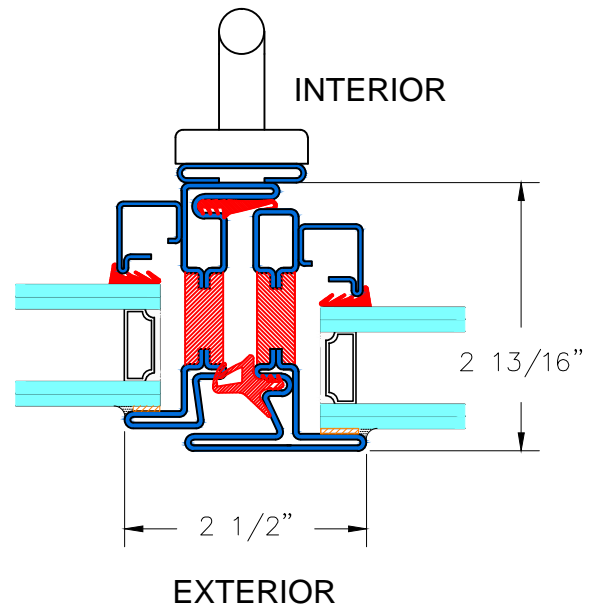
K&L TYPICAL FIXED HEAD & SILL



M&N TYPICAL FIXED JAMB



P TYPICAL HEAD WITH TRANSOM



R TYPICAL JAMB WITH SIDELITE



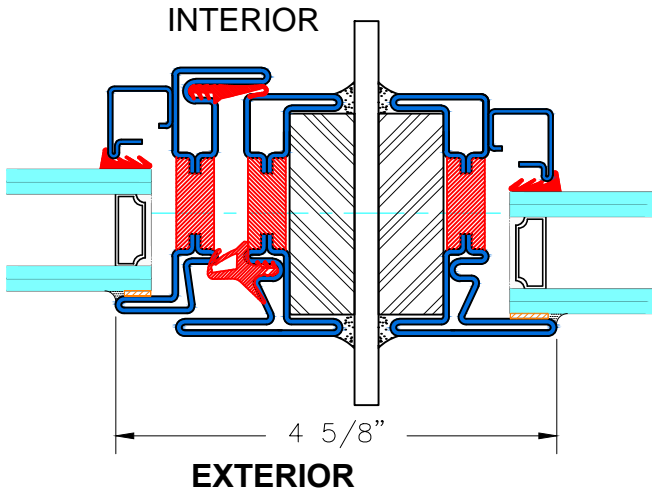
Typical Details

INSWING CASEMENT / FIXED

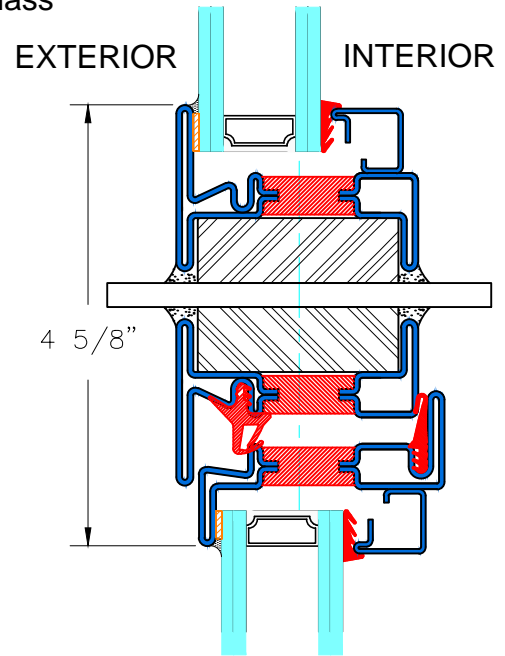
Scale: Half Scale

Thermally Broken
Cold Rolled Steel
Up To 1-1/4" Insulated Glass

PAGE 6 OF 7

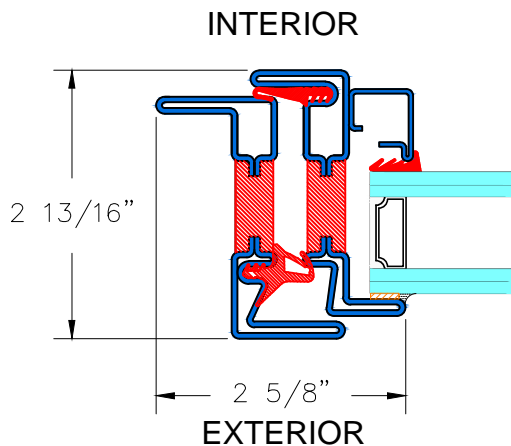


S TYPICAL JOINING MULLION

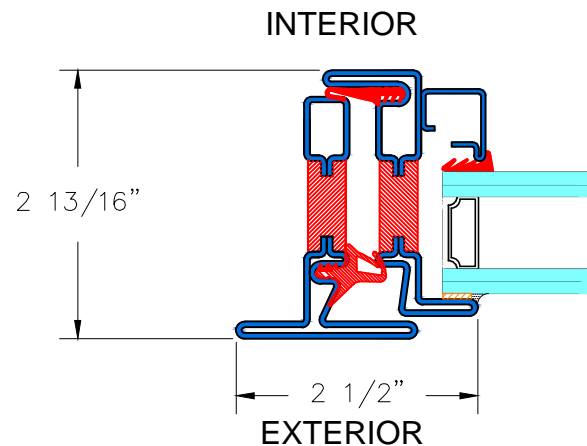


T TYPICAL STACKING MULLION

OPTIONAL FLANGE OPERABLE FRAME



1 TYPICAL JAMB INTERIOR FLANGE



2 TYPICAL JAMB EXTERIOR FLANGE



Typical Details

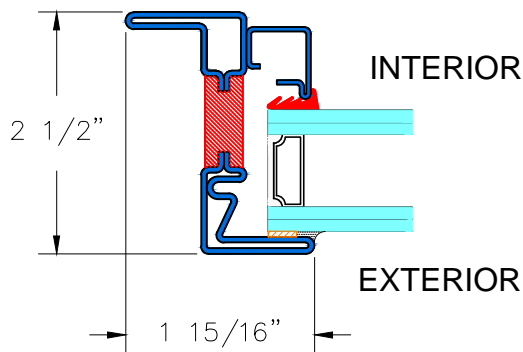
INSWING CASEMENT / FIXED

Scale: Half Scale

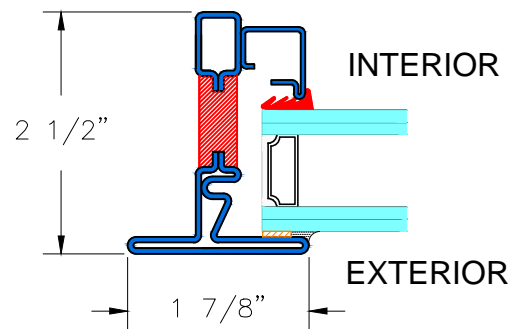
PAGE 7 OF 7

Thermally Broken
Cold Rolled Steel
Up To 1-1/4" Insulated Glass

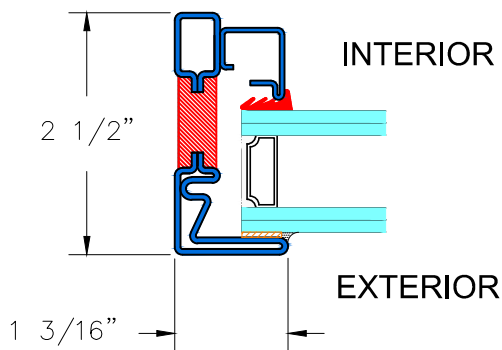
OPTIONAL FLANGE FRAME



1 TYPICAL JAMB
INTERIOR FLANGE



2 TYPICAL JAMB
EXTERIOR FLANGE



3 TYPICAL JAMB
EXTERIOR FLANGE

