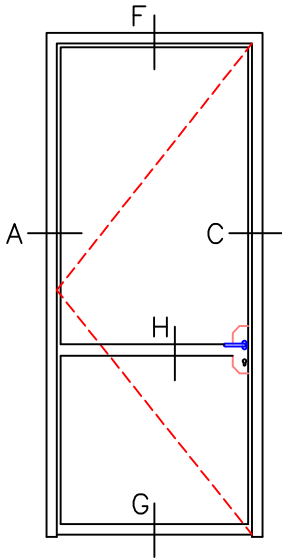


Typical Exterior Elevations

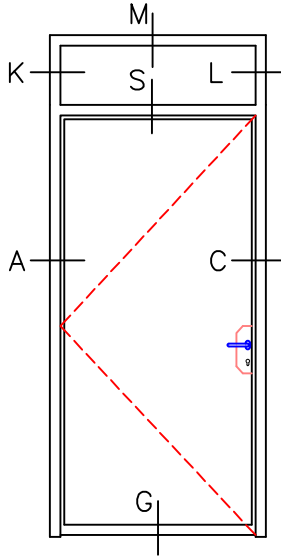
2500-ID SERIES

INSWING DOORS / FIXED
Scale: Not To Scale

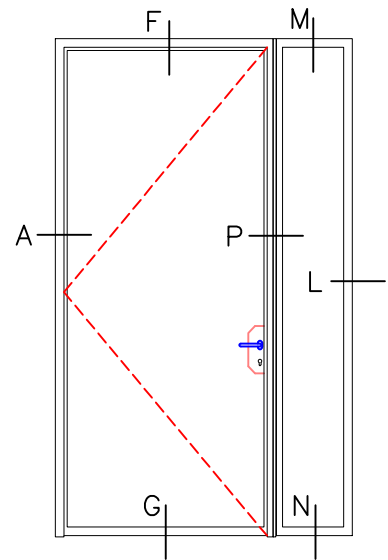
Thermally Broken
Cold Rolled Steel
Up To 1 1/4" Insulated Glass



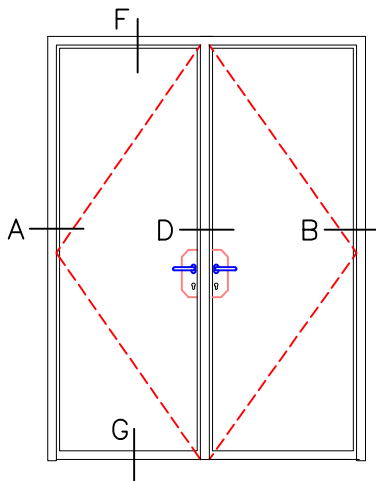
2500_12_ID



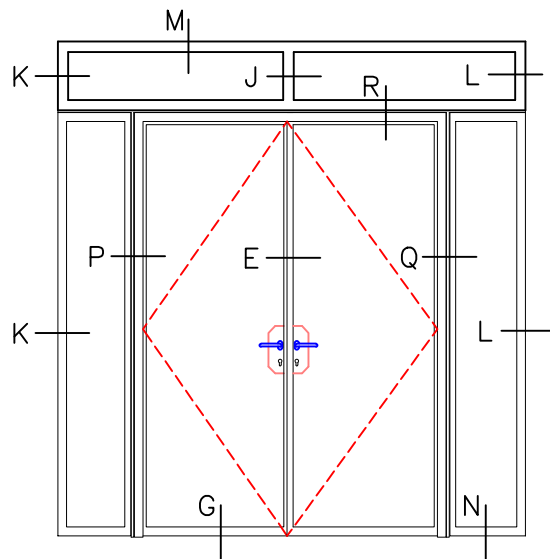
2500_12_ID_FX



2500_21_ID_FX



2500_21_FR_ID



2500_42_FX_FR_FX_ID



Typical Details

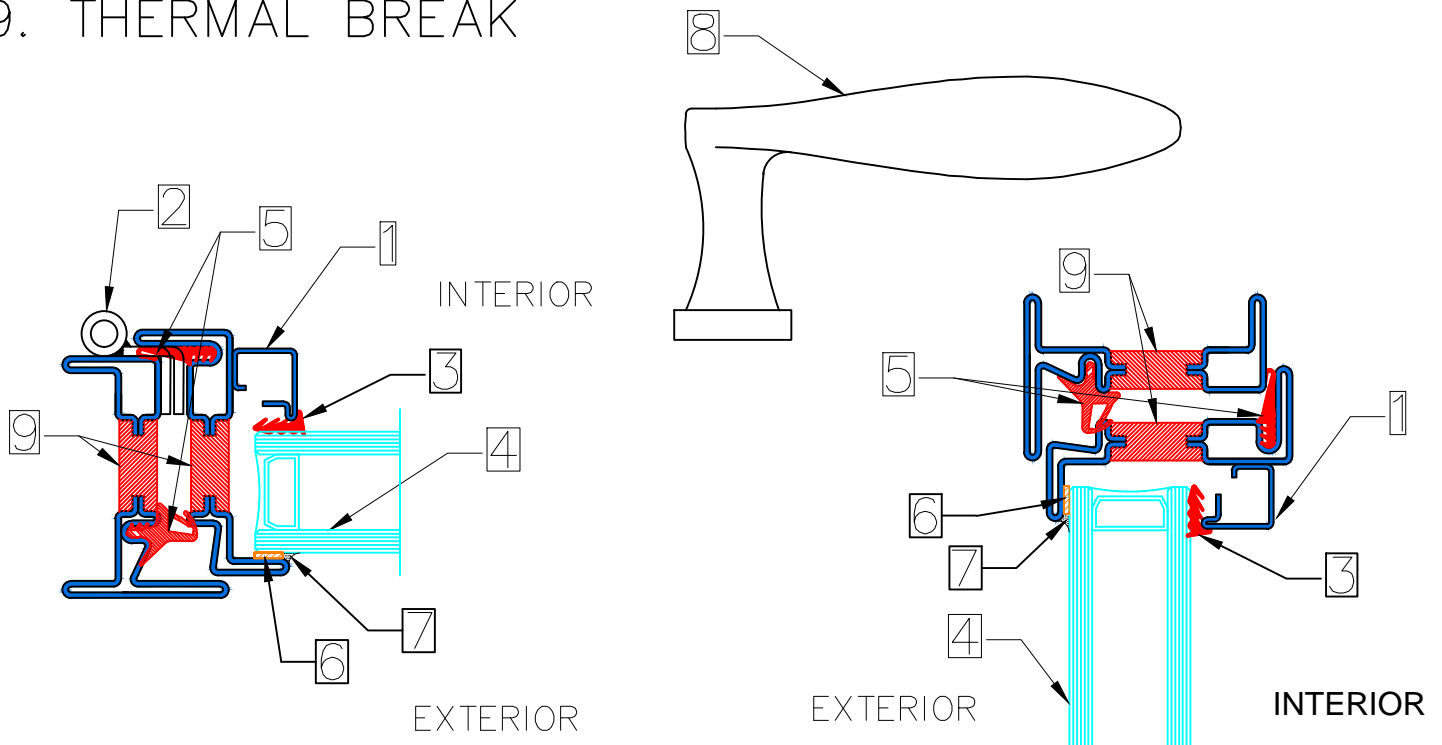
INSWING DOORS / FIXED
Scale: Half Scale

Thermally Broken
Cold Rolled Steel
Up To 1 1/4" Insulated Glass

PAGE 2 OF 6

KEY (TYPICAL)

1. STEEL GLAZING BEAD
2. STEEL HINGE
3. WEDGE GASKET
4. GLASS AND GLAZING (BY OTHERS)
5. WEATHER STRIPPING (EXTRUDED EPM)
6. GLAZING TAPE (BY OTHERS)
7. SILICONE CAP BEAD (BY OTHERS)
8. RODOS HANDLE AVAILABLE IN MULTIPLE STYLES AND FINISHES (OTHER OPTIONS AVAILABLE)
9. THERMAL BREAK



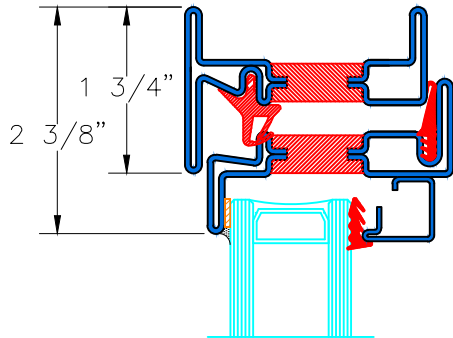
OPTIMUM
WINDOW

28 Canal Street, Ellenville, NY 12428
Phone (845) 647-1900

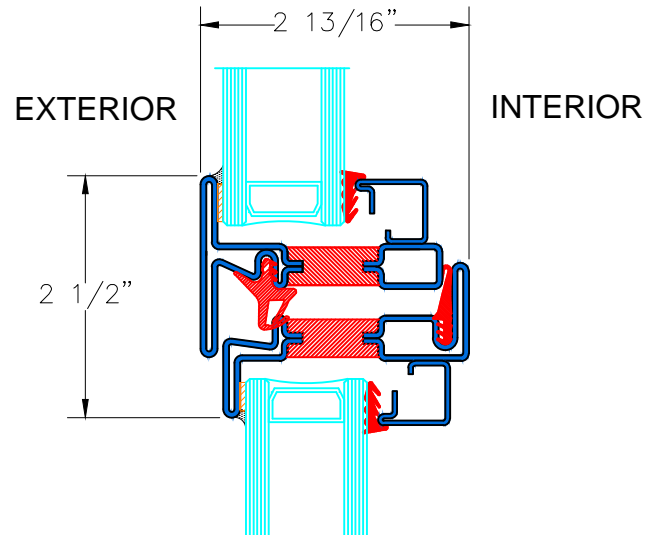
Typical Details

INSWING DOORS / FIXED
Scale: Half Scale

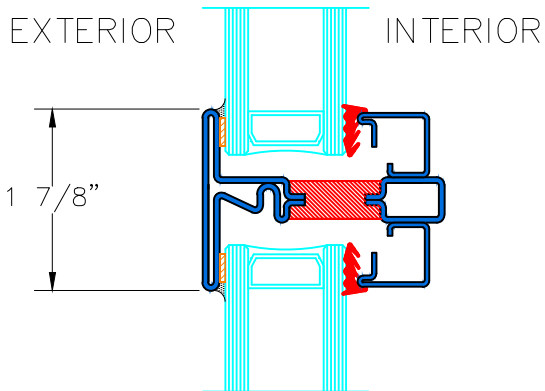
Thermally Broken
Cold Rolled Steel
Up To 1 1/4" Insulated Glass



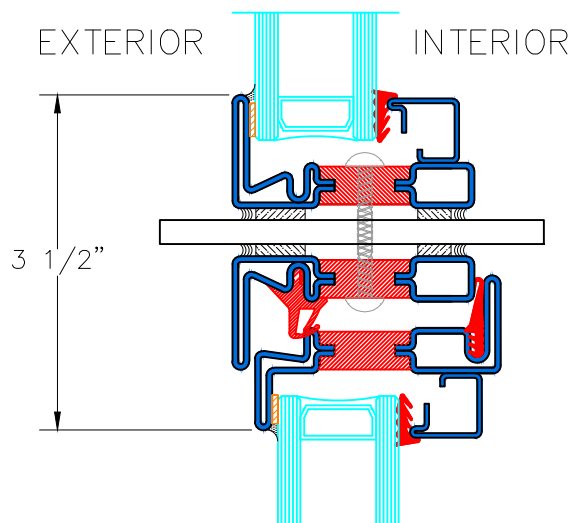
F TYPICAL OPERABLE HEAD



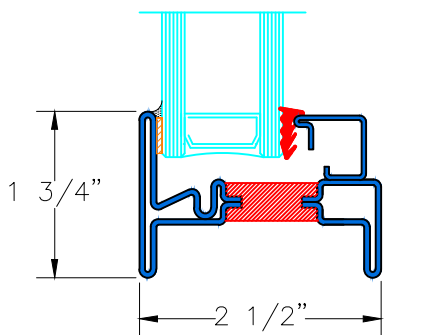
S TYPICAL OPERABLE WITH TRANSOM



H TYPICAL HORIZONTAL MUNTIN



R TYPICAL STACKING TRANSOM



G TYPICAL SILL

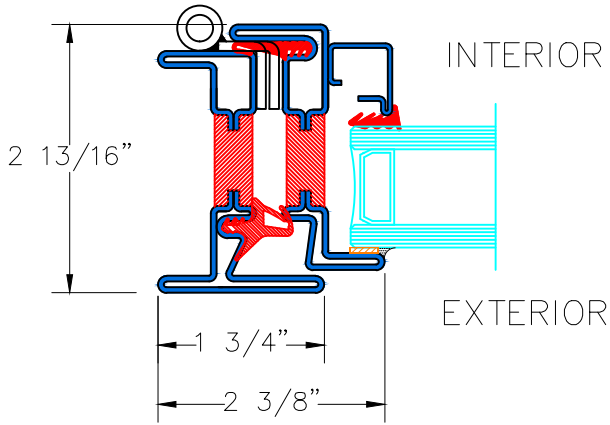


Typical Details

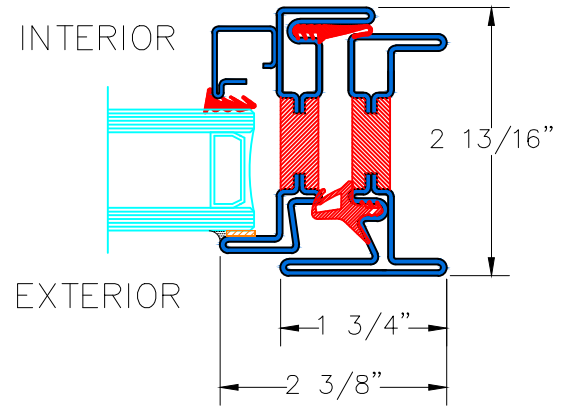
INSWING DOORS / FIXED
Scale: Half Scale

Thermally Broken
Cold Rolled Steel
Up To 1 1/4" Insulated Glass

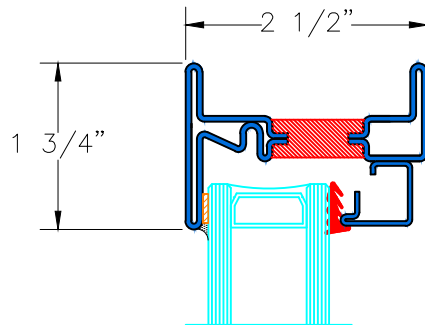
PAGE 4 OF 6



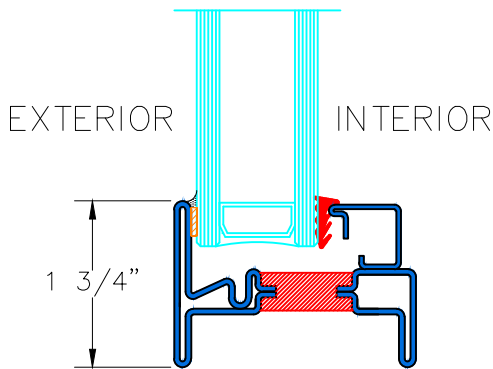
A&B TYPICAL HINGED JAMB



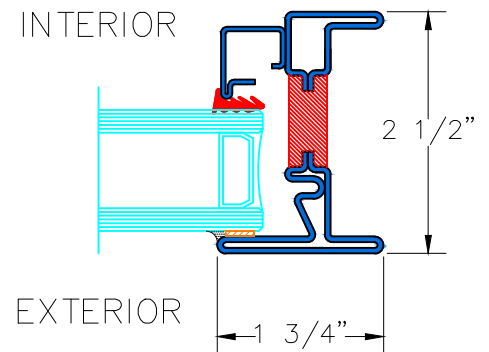
C TYPICAL LOCKING JAMB



M TYPICAL FIXED HEAD OR SILL



N TYPICAL TRANSOM SILL



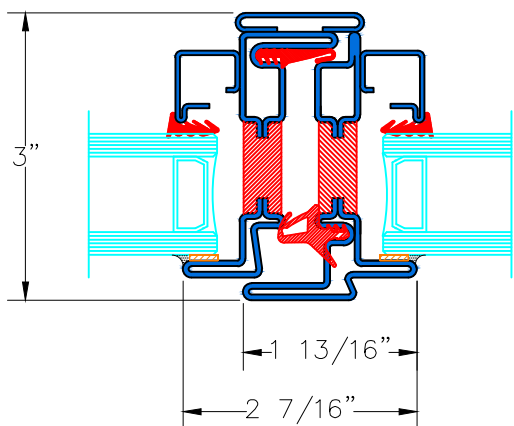
K&L TYPICAL FIXED TRANSOM OR JAMB

Typical Details

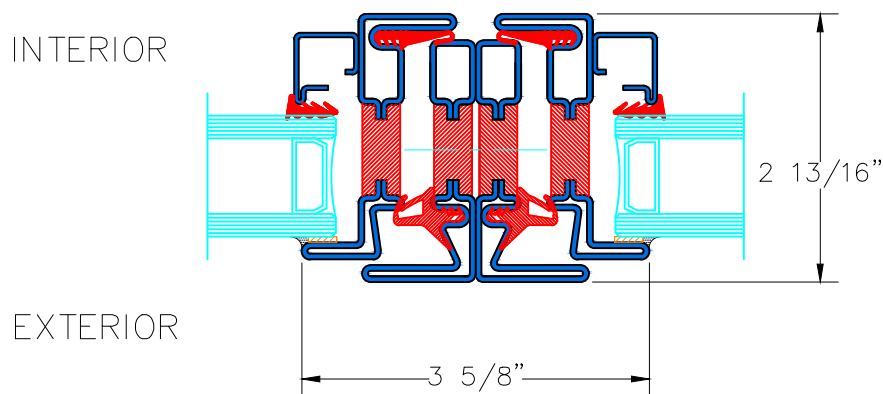
INSWING DOORS / FIXED
Scale: Half Scale

Thermally Broken
Cold Rolled Steel
Up To 1 1/4" Insulated Glass

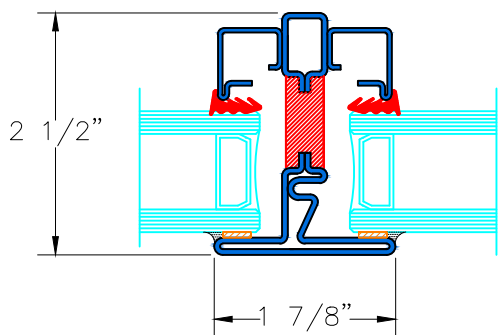
PAGE 5 OF 6



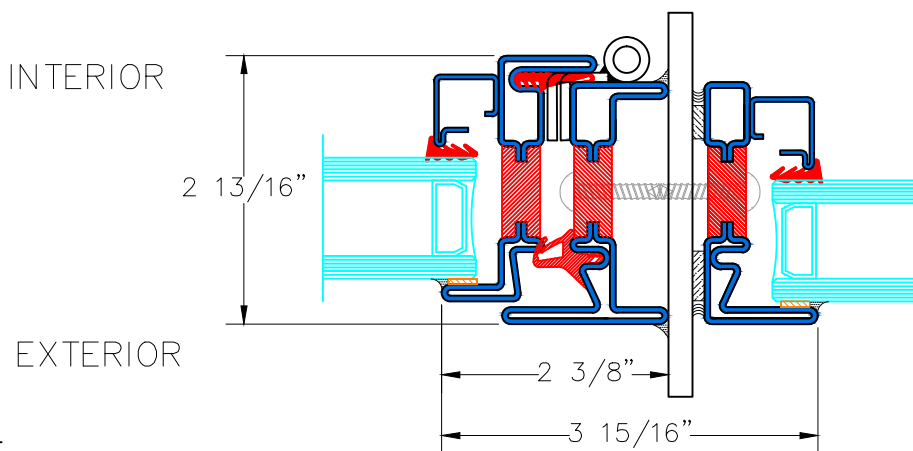
E TYPICAL FRENCH MEETING RAIL



D TYPICAL MEETING RAIL



J TYPICAL VERTICAL MUNTIN



P&Q TYPICAL JOINING SIDELITE

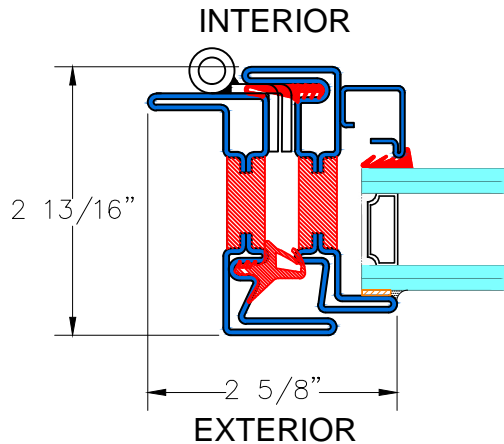


Typical Details

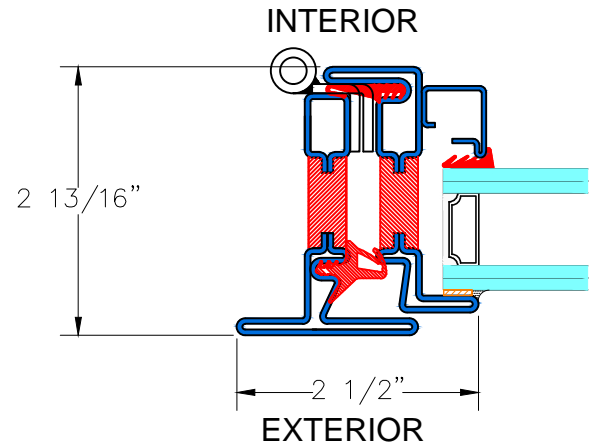
INSWING DOORS / FIXED
Scale: Half Scale

Thermally Broken
Cold Rolled Steel
Up To 1 1/4" Insulated Glass

OPTIONAL FLANGE OPERABLE FRAME

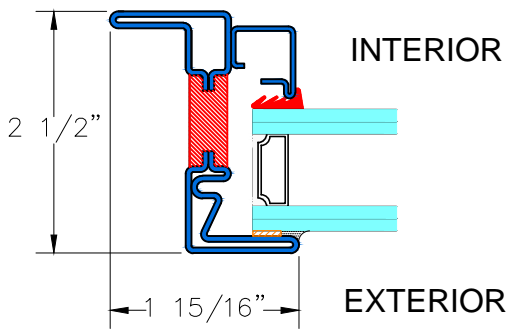


1 TYPICAL JAMB
INTERIOR FLANGE

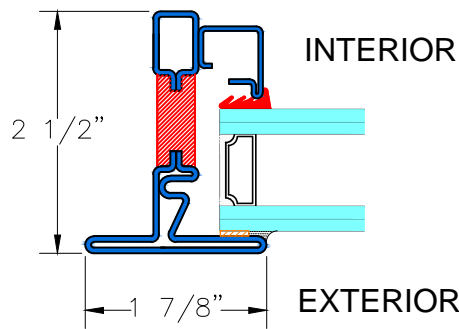


2 TYPICAL JAMB
EXTERIOR FLANGE

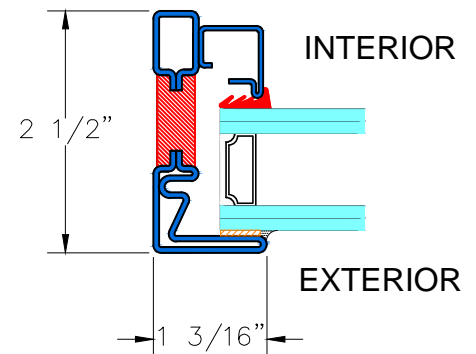
OPTIONAL FLANGE FIXED FRAME



1 TYPICAL JAMB
INTERIOR FLANGE



2 TYPICAL JAMB
EXTERIOR FLANGE



3 TYPICAL JAMB
EXTERIOR FLANGE

