

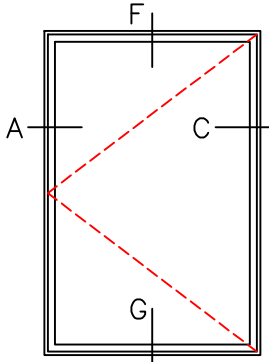
Typical Exterior Elevations

2500-OC SERIES

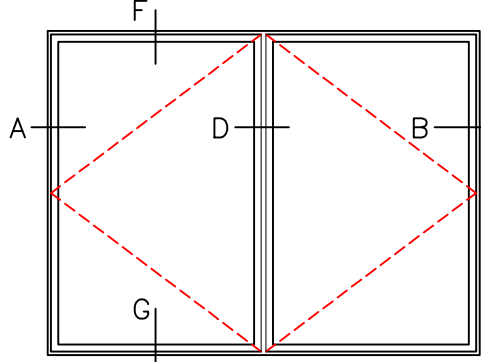
OUTSWING CASEMENT / FIXED
Scale: Not To Scale

Thermally Broken
Cold Rolled Steel
Up To 1-1/4" Insulated Glass

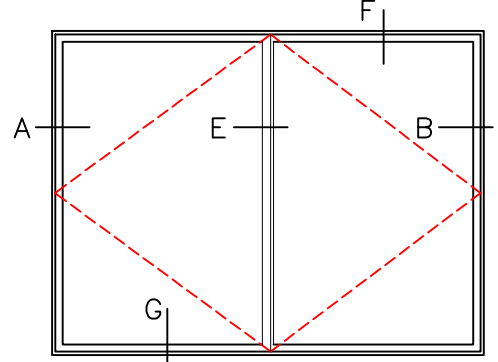
PAGE 1 OF 7



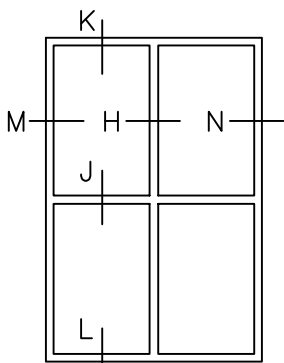
2500_11_OC



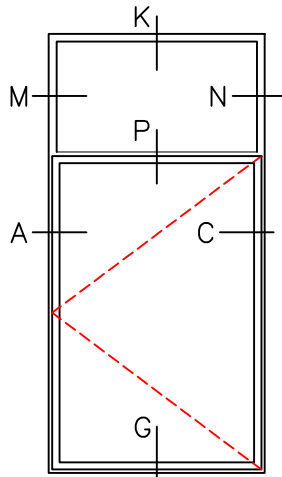
2500_21_DB_OC



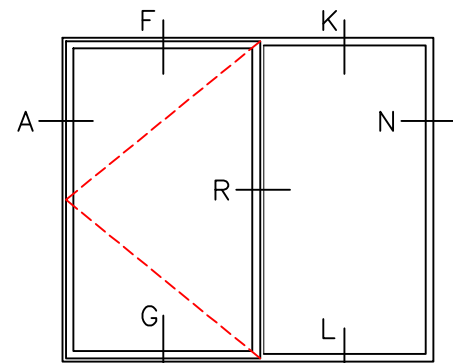
2500_21_FR_OC



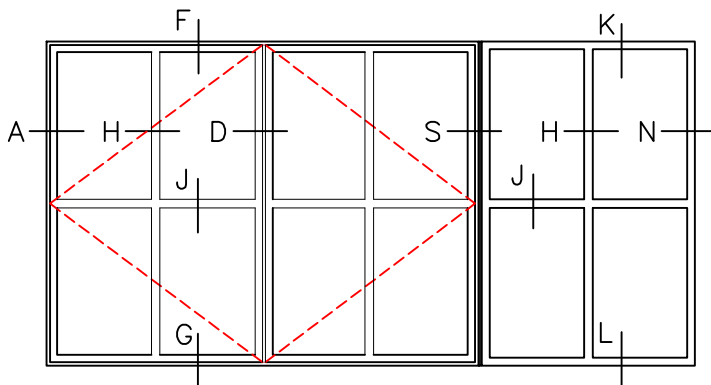
2500_22_FX



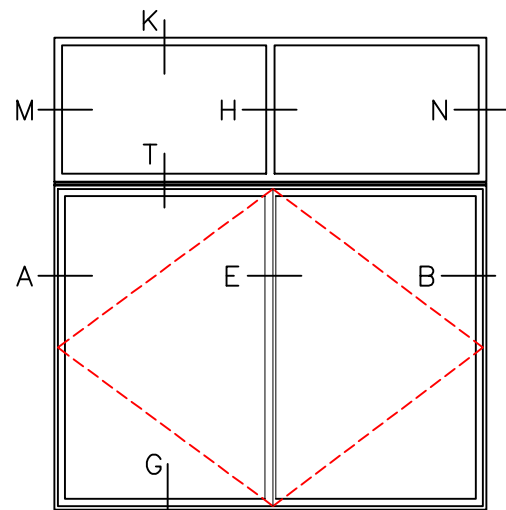
2500_12_OC_FX



2500_21_OC_FX



2500_62_DB_OC_FX



2500_22_FR_OC_FX



OUTSWING CASEMENT / FIXED

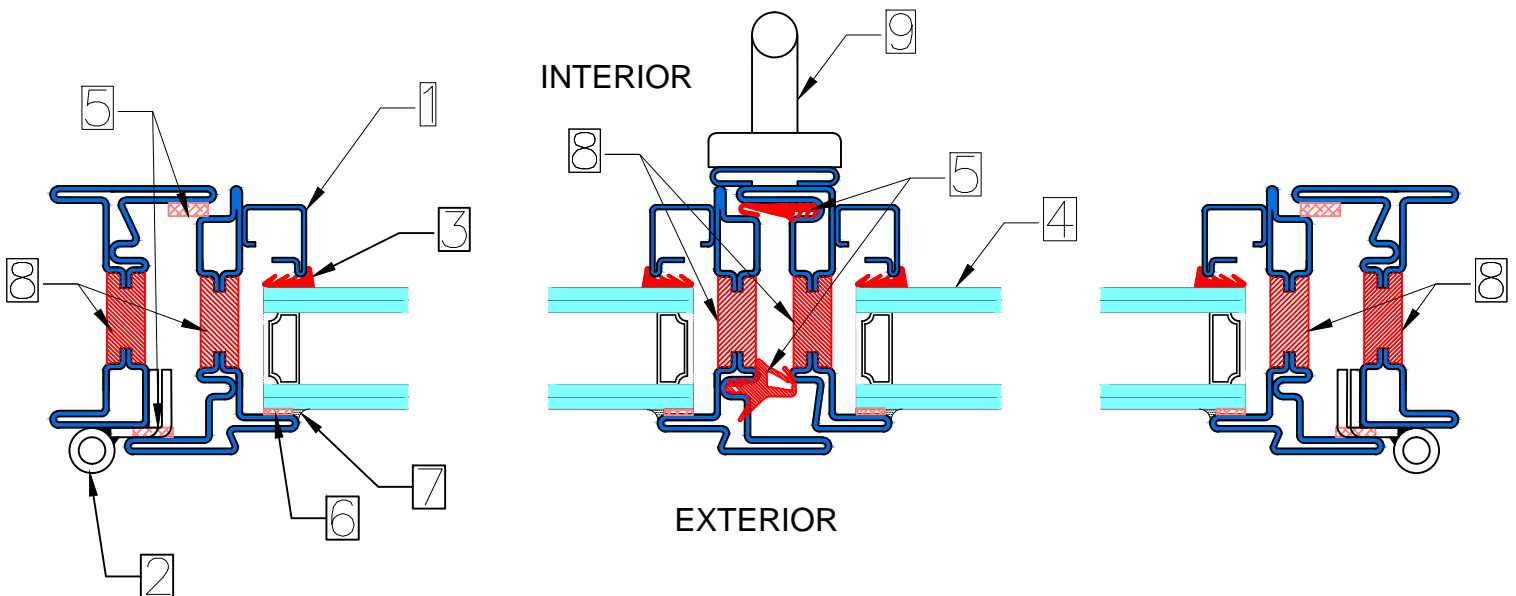
Scale: Half Scale

Thermally Broken
Cold Rolled Steel
Up To 1-1/4" Insulated Glass

PAGE 2 OF 7

KEY (TYPICAL)

1. STEEL GLAZING BEAD
2. STEEL HINGE
3. WEDGE GASKET
4. GLASS AND GLAZING (BY OTHERS)
5. WEATHER STRIPPING (EXTRUDED EPM)
6. GLAZING TAPE (BY OTHERS)
7. SILICONE CAP BEAD (BY OTHERS)
8. THERMAL BREAK
9. OWM'S STANDARD HARDWARE



28 Canal Street, Ellenville, NY 12428

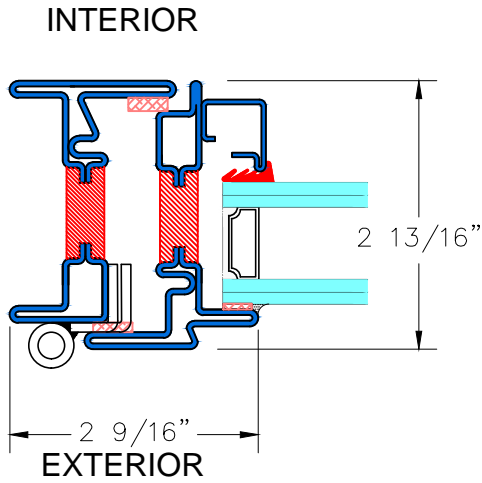
Phone (845) 647-1900

Typical Details

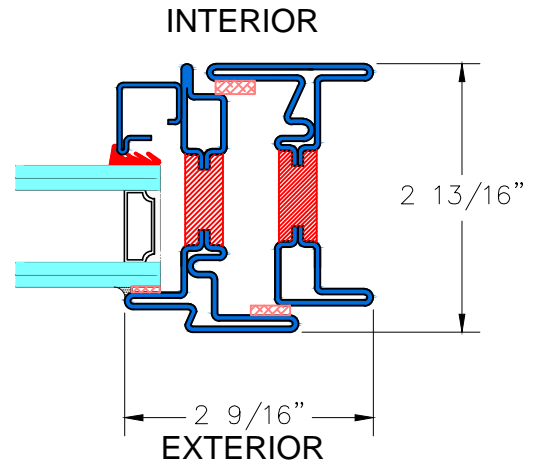
OUTSWING CASEMENT / FIXED
Scale: Half Scale

Thermally Broken
Cold Rolled Steel
Up To 1-1/4" Insulated Glass

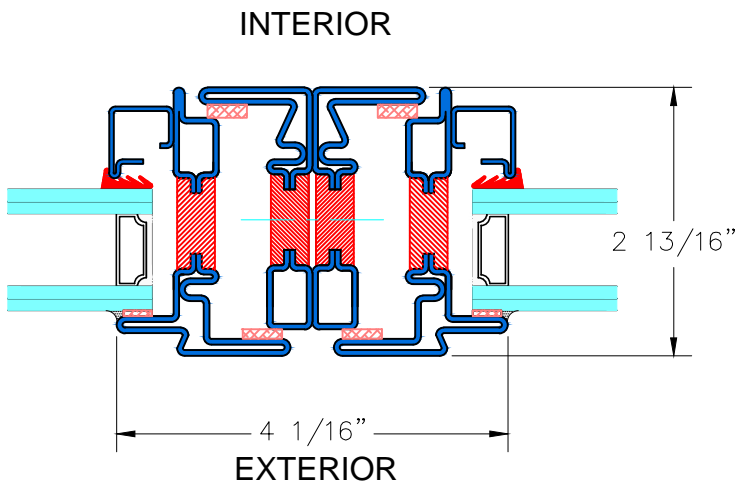
PAGE 3 OF 7



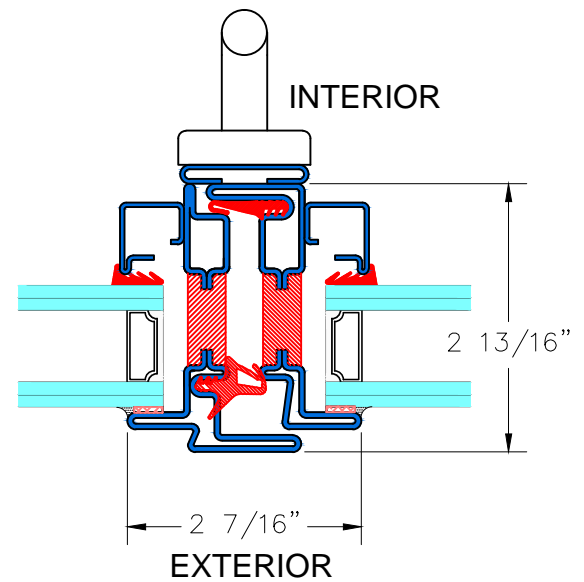
A&B TYPICAL HINGED JAMB



C TYPICAL LOCKING JAMB



D TYPICAL MEETING RAIL



E TYPICAL FRENCH MEETING RAIL

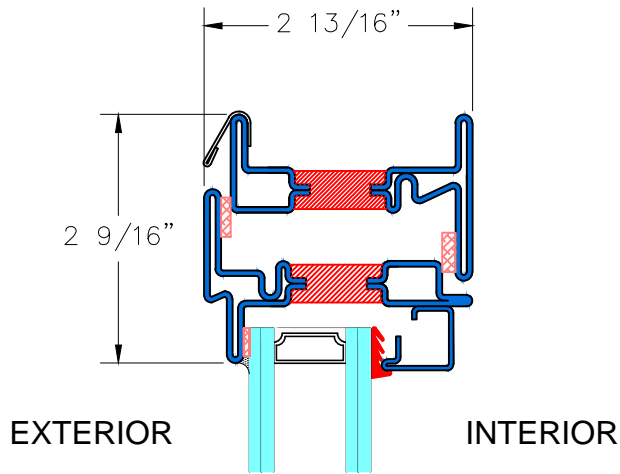


Typical Details

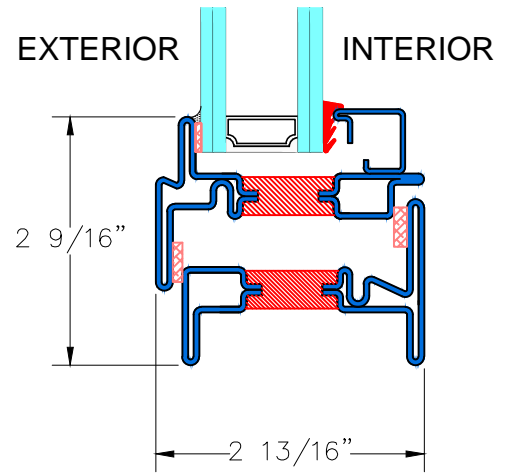
OUTSWING CASEMENT / FIXED
Scale: Half Scale

Thermally Broken
Cold Rolled Steel
Up To 1-1/4" Insulated Glass

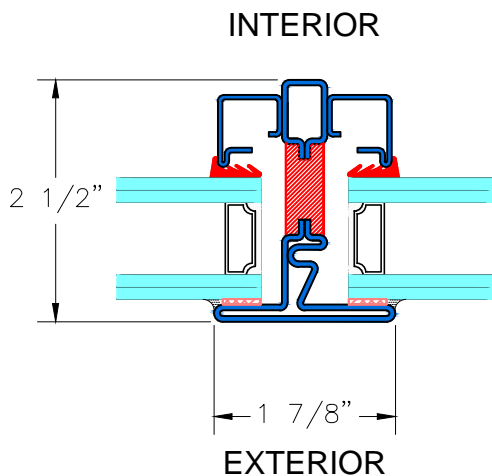
PAGE 4 OF 7



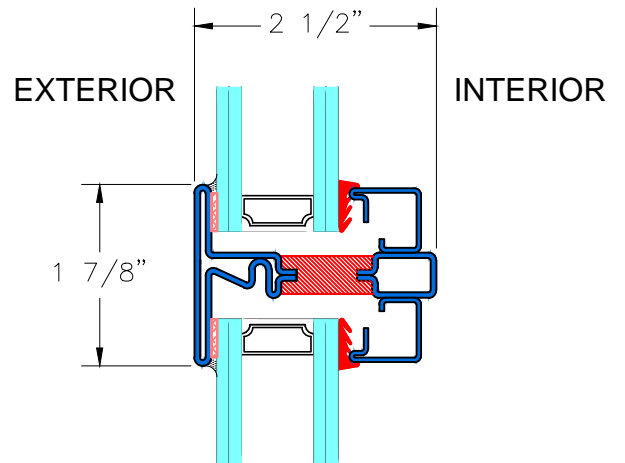
F TYPICAL HEAD



G TYPICAL SILL



H TYPICAL VERTICAL MUNTIN



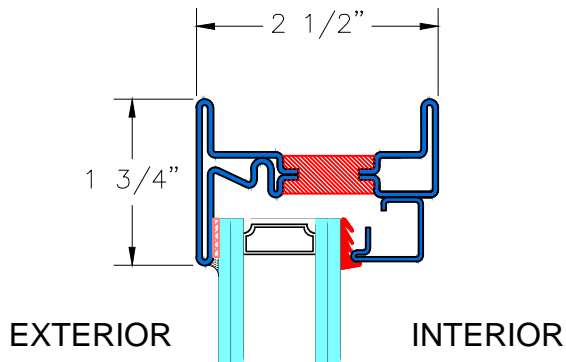
J TYPICAL HORIZONTAL MUNTIN



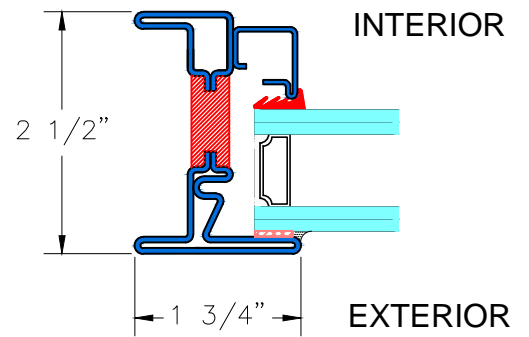
Typical Details

OUTSWING CASEMENT / FIXED
Scale: Half Scale

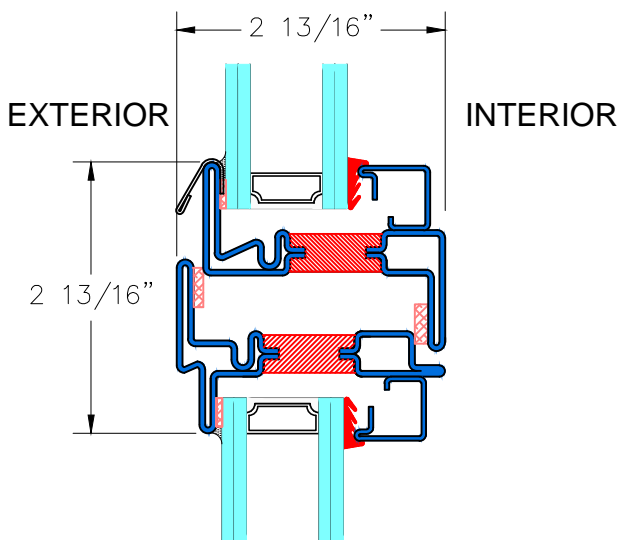
Thermally Broken
Cold Rolled Steel
Up To 1-1/4" Insulated Glass



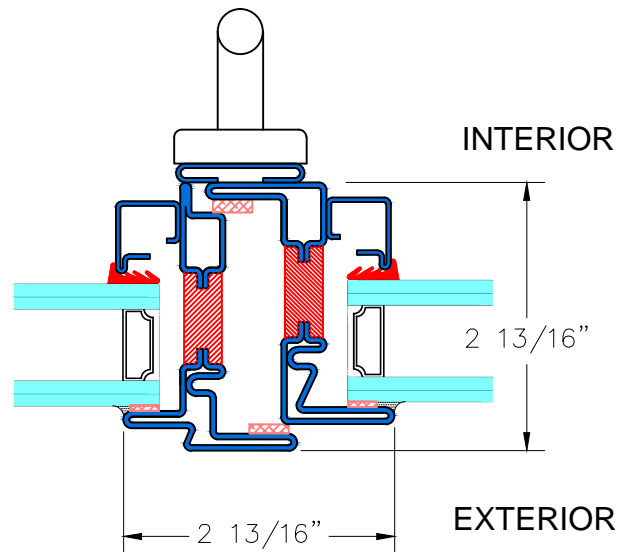
K&L TYPICAL FIXED HEAD & SILL



M&N TYPICAL FIXED JAMB



P TYPICAL HEAD WITH TRANSOM



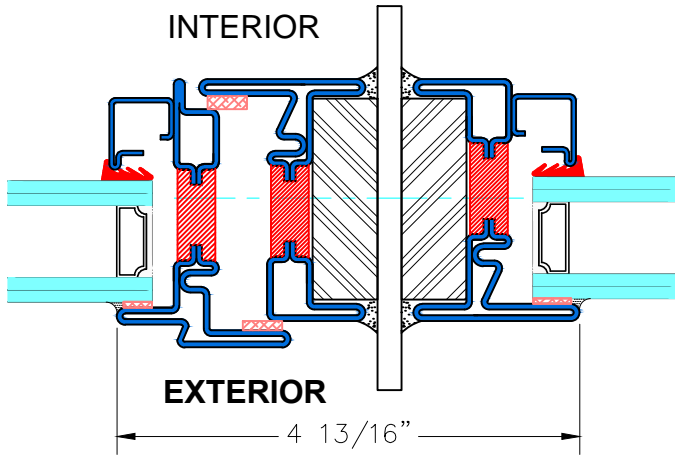
R TYPICAL JAMB WITH SIDELITE



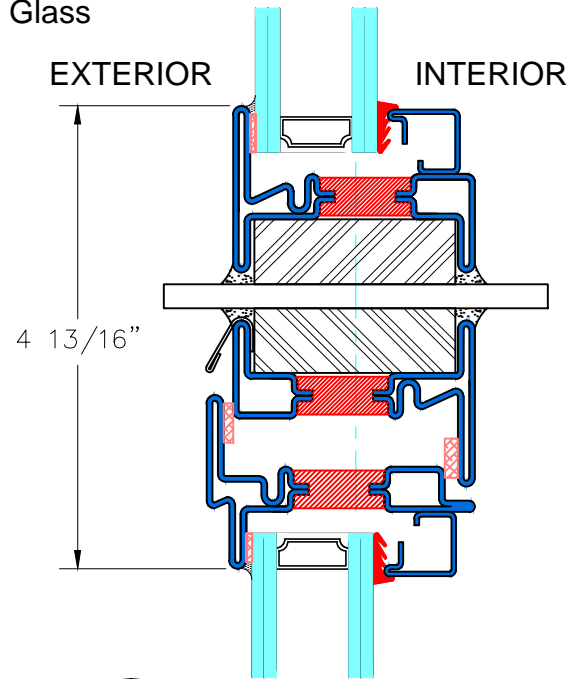
Typical Details

OUTSWING CASEMENT / FIXED
Scale: Half Scale

Thermally Broken
Cold Rolled Steel
Up To 1-1/4" Insulated Glass

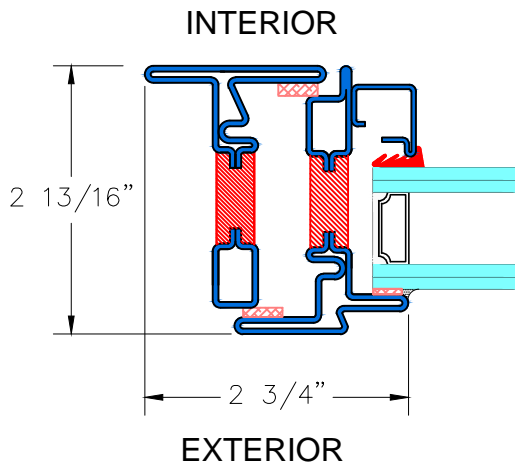


S TYPICAL JOINING MULLION

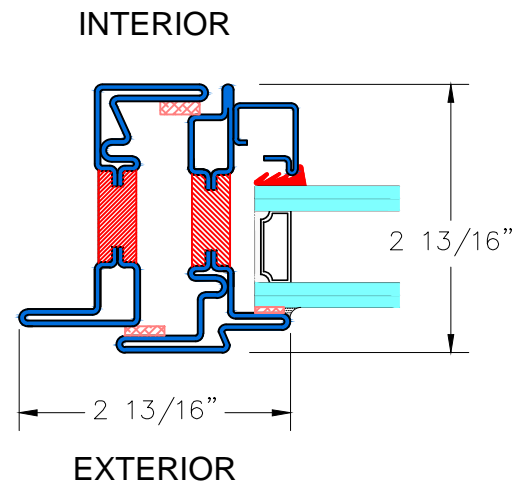


T TYPICAL STACKING MULLION

OPTIONAL FLANGE FRAME



1 TYPICAL JAMB INTERIOR FLANGE



2 TYPICAL JAMB EXTERIOR FLANGE



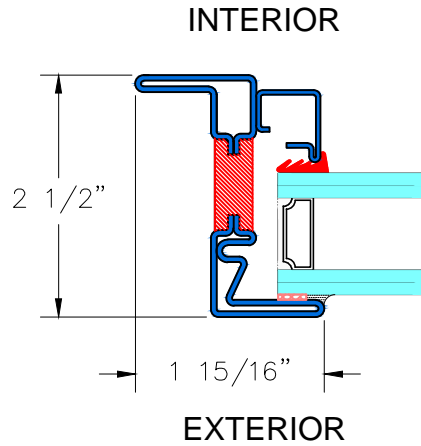
Typical Details

OUTSWING CASEMENT / FIXED
Scale: Half Scale

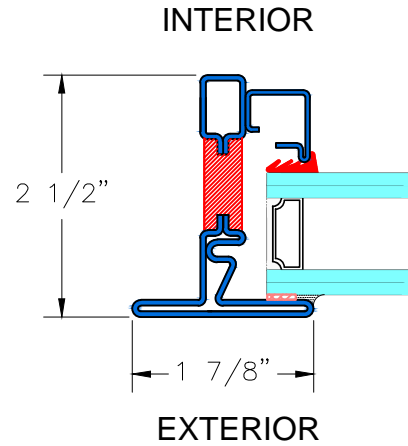
PAGE 7 OF 7

Thermally Broken
Cold Rolled Steel
Up To 1-1/4" Insulated Glass

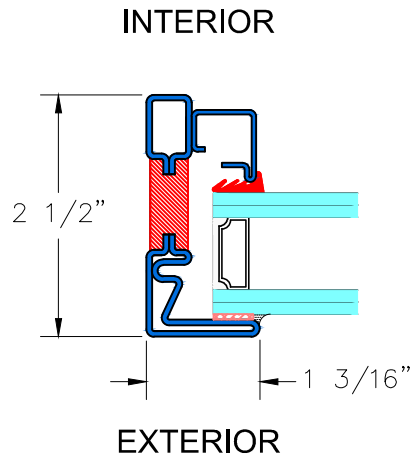
OPTIONAL FLANGE FRAME



1 TYPICAL JAMB
INTERIOR FLANGE



2 TYPICAL JAMB
EXTERIOR FLANGE



3 TYPICAL JAMB
WITH NO FLANGE

