

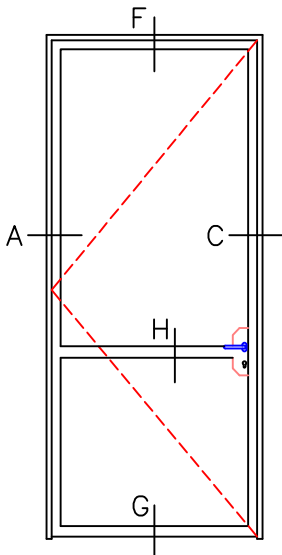
Typical Exterior Elevations

2500-OD_{SERIES}

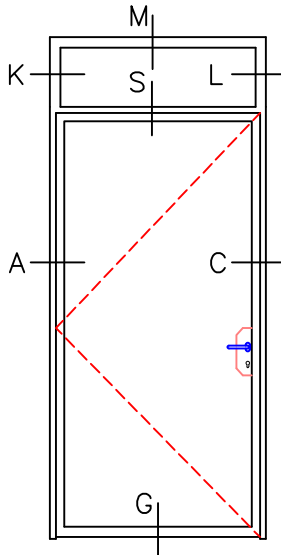
OUTSWING DOORS / FIXED
Scale: Not To Scale

Thermally Broken
Cold Rolled Steel
Up To 1 1/4" Insulated Glass

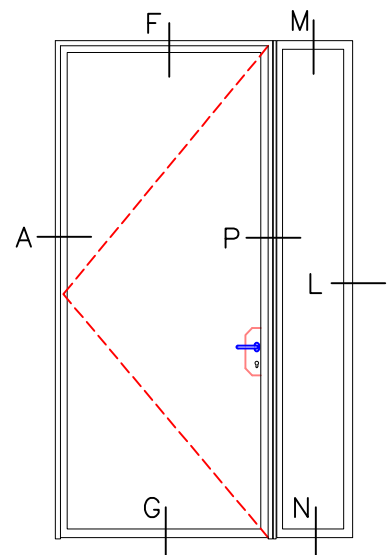
PAGE 1 OF 6



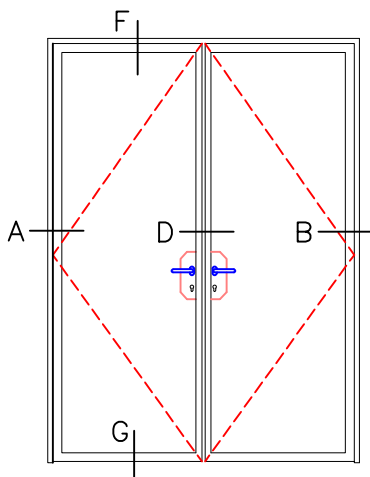
2500_12_OD



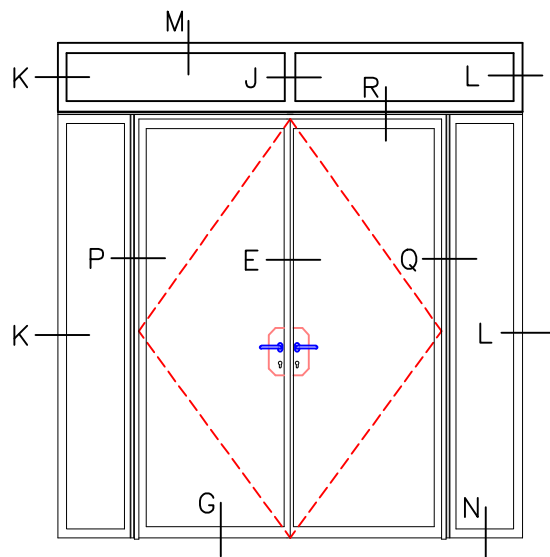
2500_12_OD_FX



2500_21_OD_FX



2500_21_FR_OD



2500_42_FX_FR_FX_OD



Typical Details

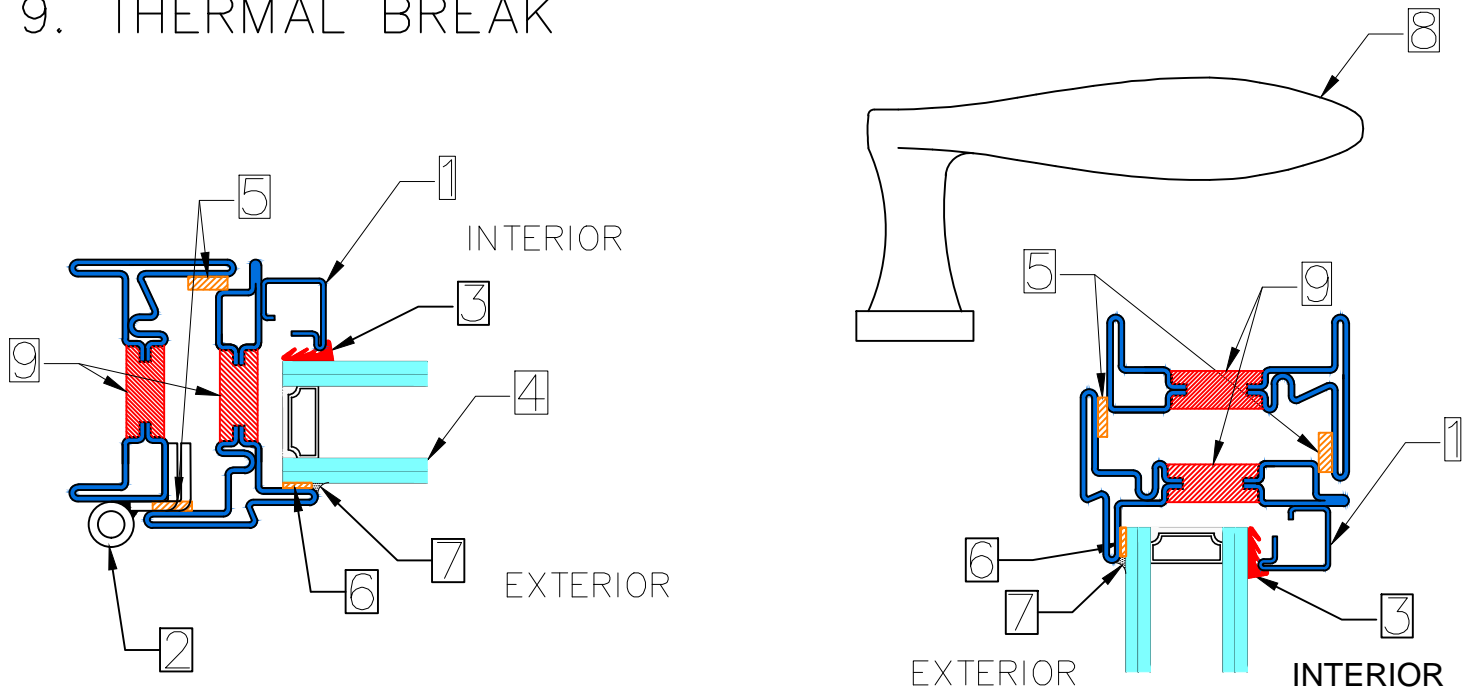
OUTSWING DOORS / FIXED
Scale: Half Scale

Thermally Broken
Cold Rolled Steel
Up To 1 1/4" Insulated Glass

PAGE 2 OF 6

KEY (TYPICAL)

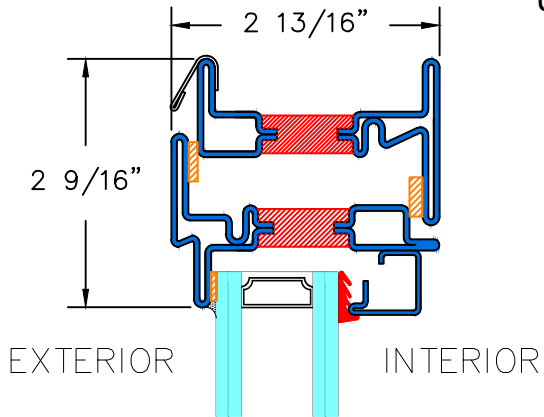
1. STEEL GLAZING BEAD
2. STEEL HINGE
3. WEDGE GASKET
4. GLASS AND GLAZING (BY OTHERS)
5. WEATHER STRIPPING (EXTRUDED EPM)
6. GLAZING TAPE (BY OTHERS)
7. SILICONE CAP BEAD (BY OTHERS)
8. RODOS HANDLE AVAILABLE IN MULTIPLE STYLES AND FINISHES (OTHER OPTIONS AVAILABLE)
9. THERMAL BREAK



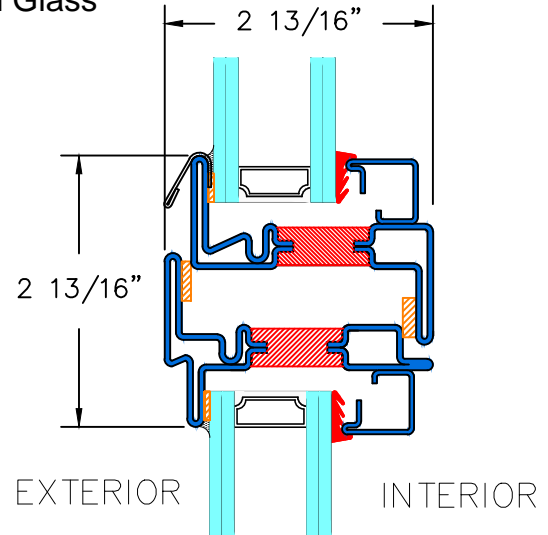
Typical Details

OUTSWING DOORS / FIXED
Scale: Half Scale

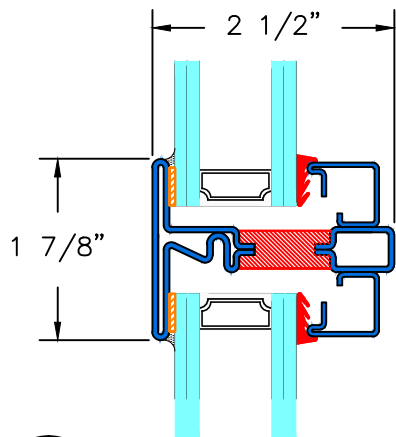
Thermally Broken
Cold Rolled Steel
Up To 1 1/4" Insulated Glass



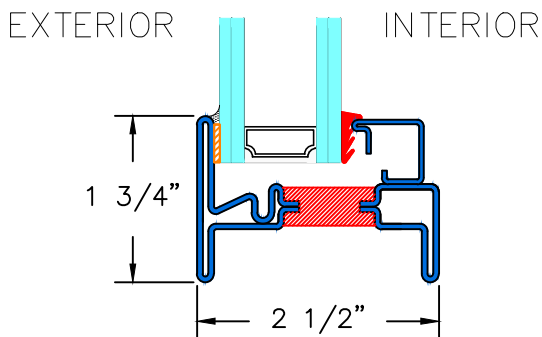
F TYPICAL OPERABLE HEAD



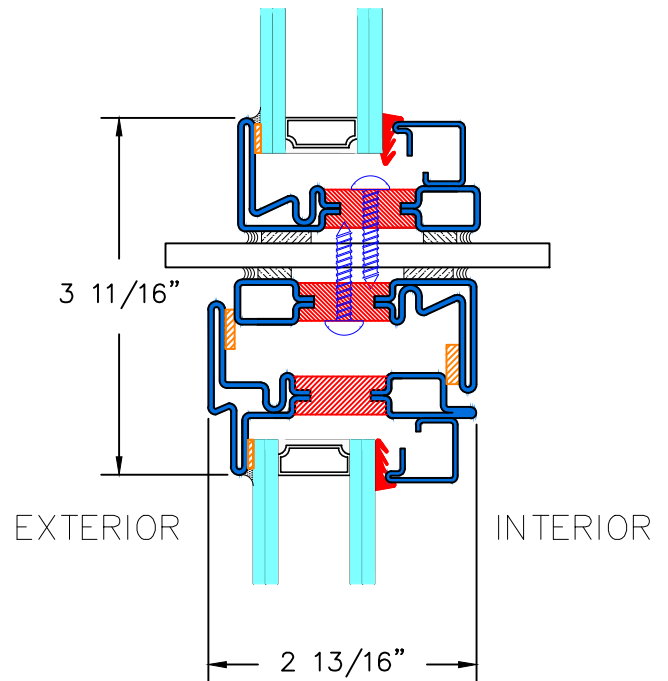
S TYPICAL OPERABLE WITH TRANSOM



H TYPICAL HORIZONTAL MUNTIN



G TYPICAL SILL



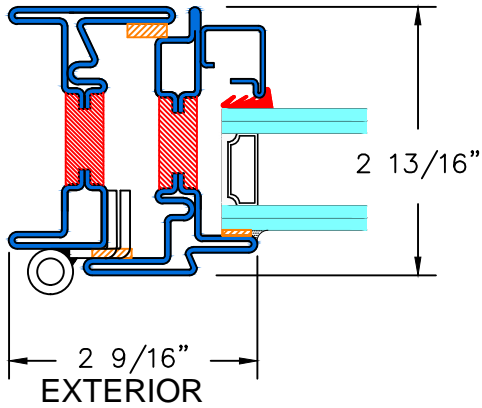
R TYPICAL STACKING TRANSOM



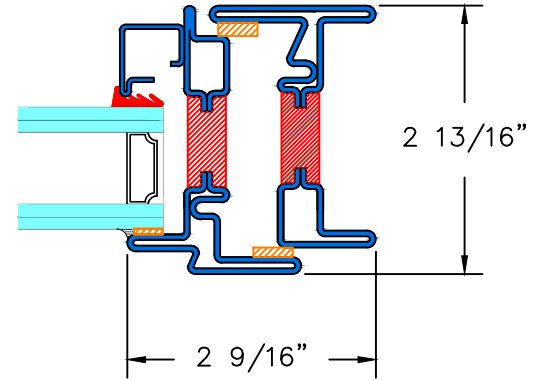
Typical Details

OUTSWING DOORS / FIXED
Scale: Half Scale

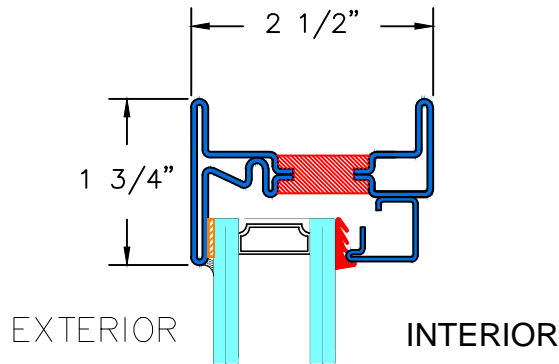
Thermally Broken
Cold Rolled Steel
Up To 1 1/4" Insulated Glass



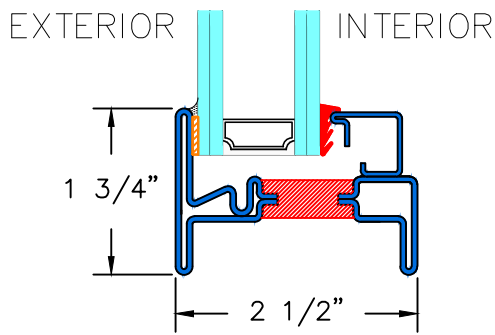
A&B TYPICAL HINGED JAMB



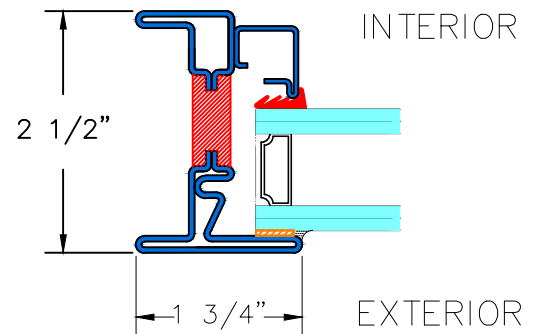
C TYPICAL LOCKING JAMB



M TYPICAL FIXED HEAD & SILL



N TYPICAL FIXED SILL



K&L TYPICAL FIXED JAMB

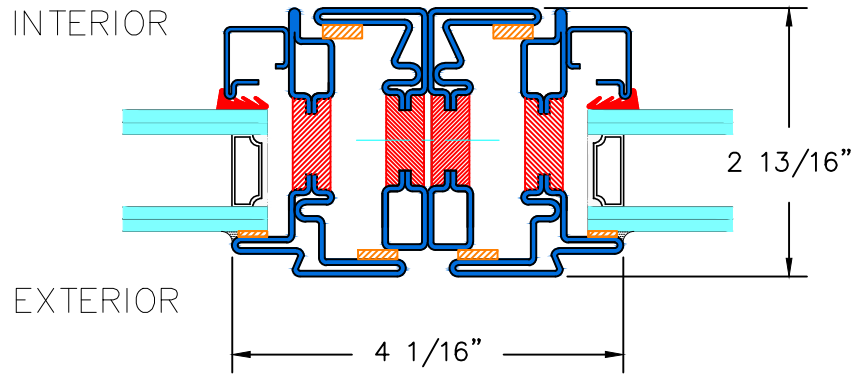
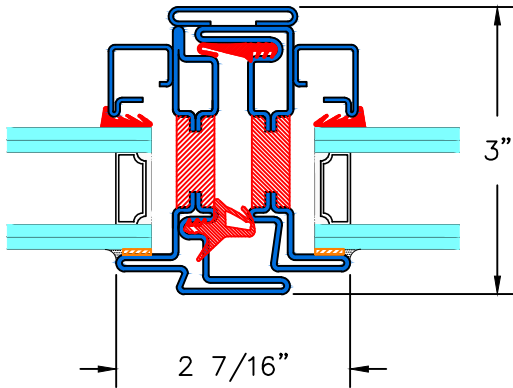


Typical Details

OUTSWING DOORS / FIXED
Scale: Half Scale

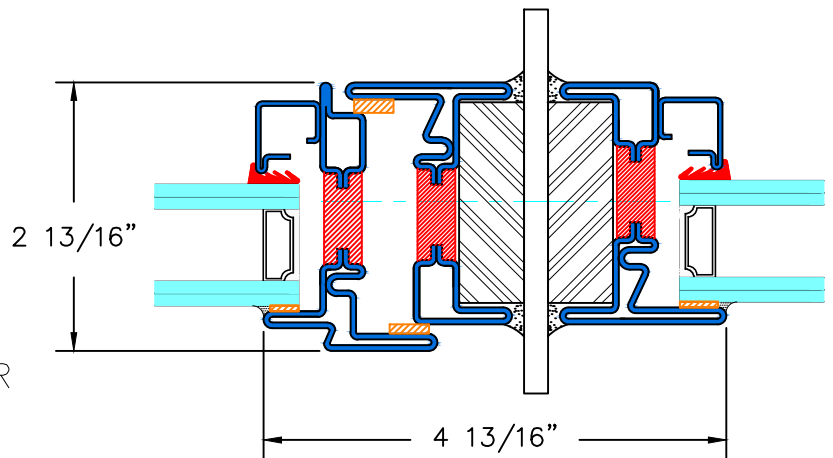
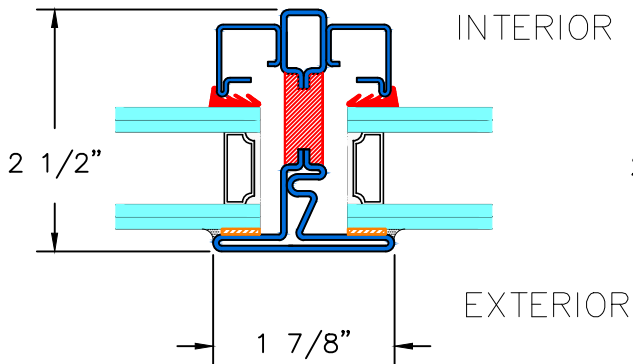
Thermally Broken
Cold Rolled Steel
Up To 1 1/4" Insulated Glass

PAGE 5 OF 6



E TYPICAL FRENCH MEETING RAIL

D TYPICAL MEETING RAIL



J TYPICAL VERTICAL MUNTIN

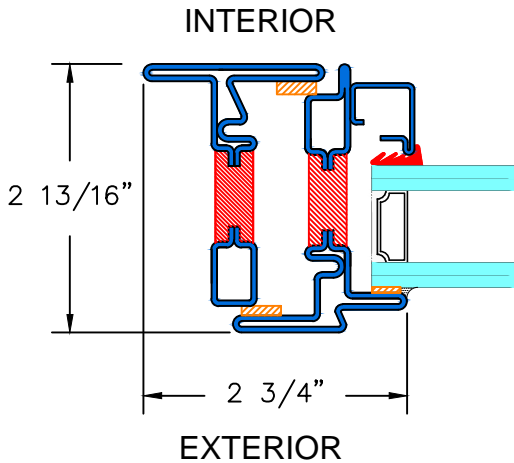
P&Q TYPICAL JAMB WITH SIDELITE

Typical Details

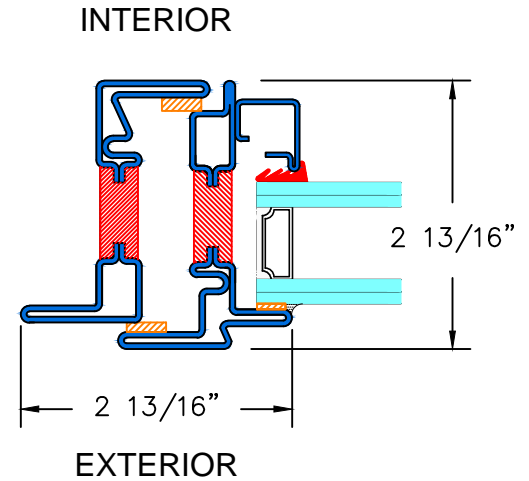
OUTSWING DOORS / FIXED
Scale: Half Scale

Thermally Broken
Cold Rolled Steel
Up To 1 1/4" Insulated Glass

OPTIONAL FLANGE OPERABLE FRAME

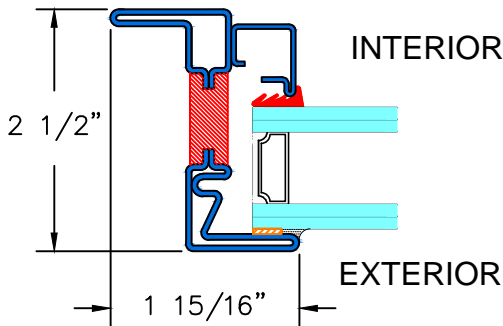


1 TYPICAL JAMB
INTERIOR FLANGE

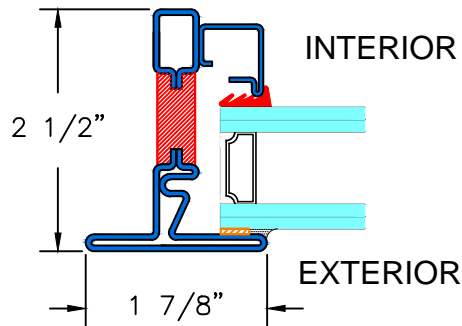


2 TYPICAL JAMB
EXTERIOR FLANGE

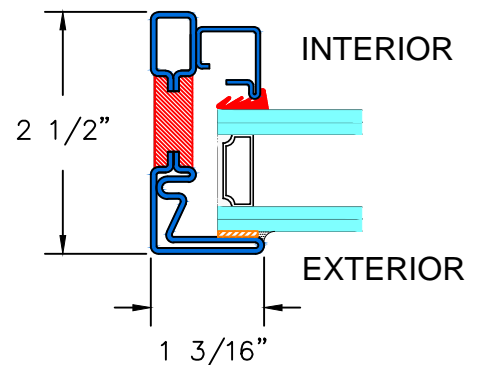
OPTIONAL FLANGE FIXED FRAME



1 TYPICAL JAMB
INTERIOR FLANGE



2 TYPICAL JAMB
EXTERIOR FLANGE



3 TYPICAL JAMB
EXTERIOR FLANGE

