

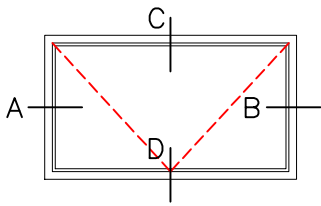
## Typical Exterior Elevations

# 2500-PI SERIES

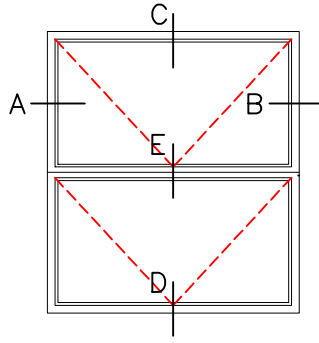
PROJECT IN / FIXED  
Scale: Not To Scale

PAGE 1 OF 6

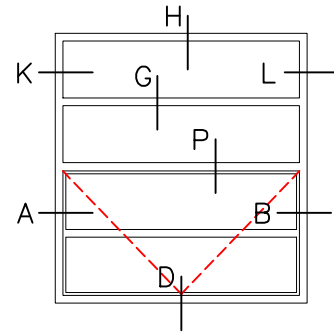
Thermally Broken  
Cold Rolled Steel  
Up To 1-1/4" Insulated Glass



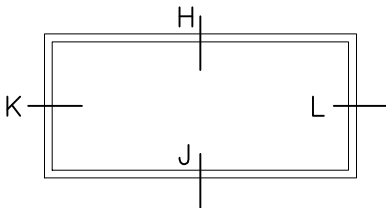
2500\_11\_PI



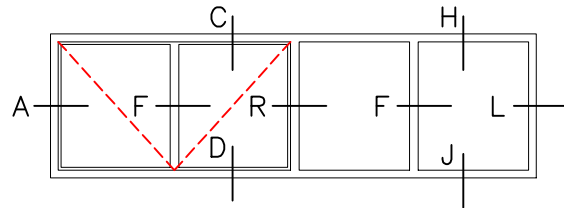
2500\_12\_PI\_PI



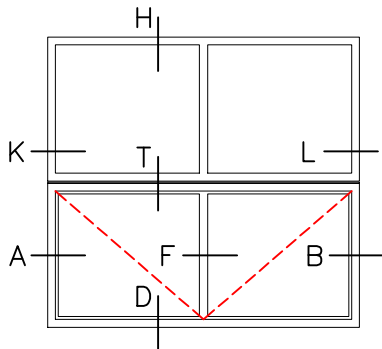
2500\_14\_PI\_FX



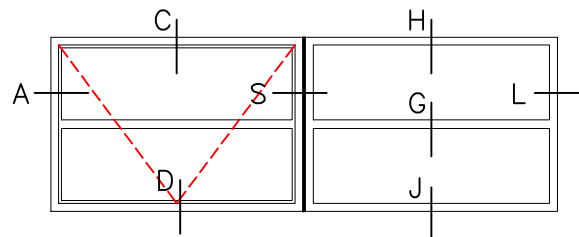
2500\_11\_FX



2500\_41\_PI\_FX



2500\_22\_PI\_FX



2500\_22\_PI\_FX



## Typical Details

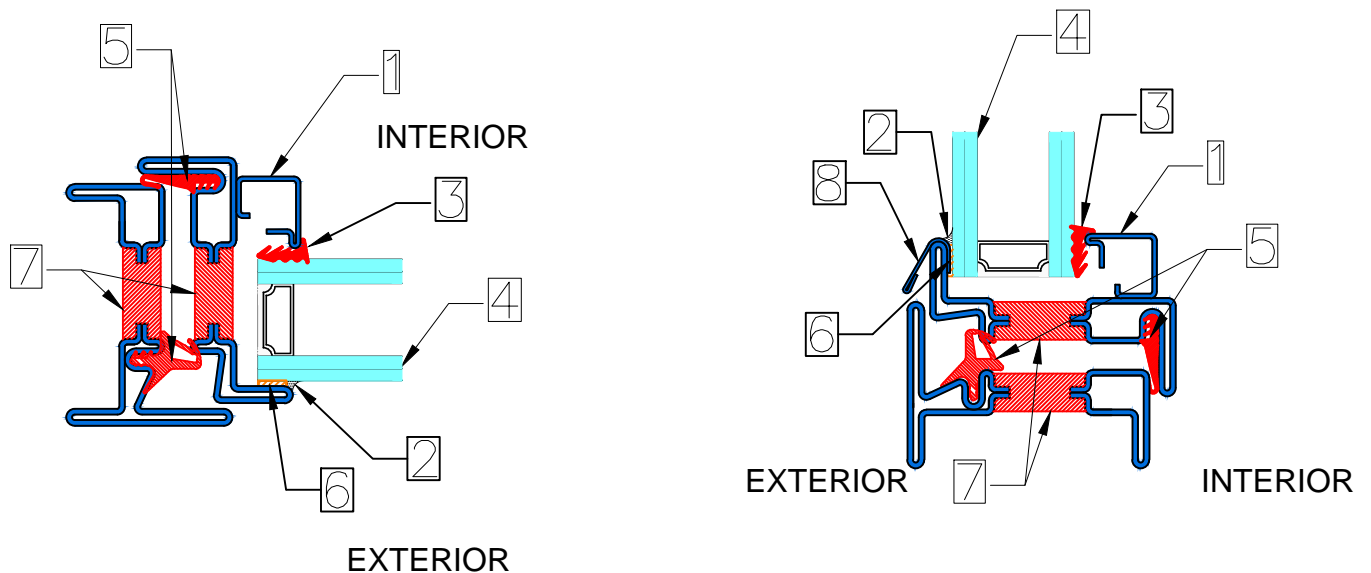
**PROJECT IN / FIXED**  
Scale: Half Scale

Thermally Broken  
Cold Rolled Steel  
Up To 1-1/4" Insulated Glass

**PAGE 2 OF 6**

## KEY (TYPICAL)

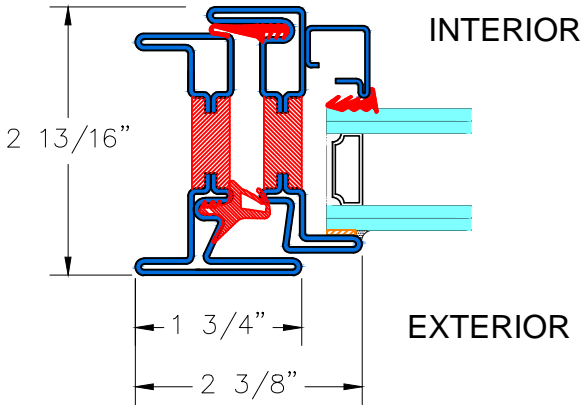
1. STEEL GLAZING BEAD
2. SILICONE CAP BEAD (BY OTHERS)
3. WEDGE GASKET
4. GLASS AND GLAZING (BY OTHERS)
5. WEATHER STRIPPING (EXTRUDED EPM)
6. GLAZING TAPE (BY OTHERS)
7. THERMAL BREAK
8. RAIN GUARD



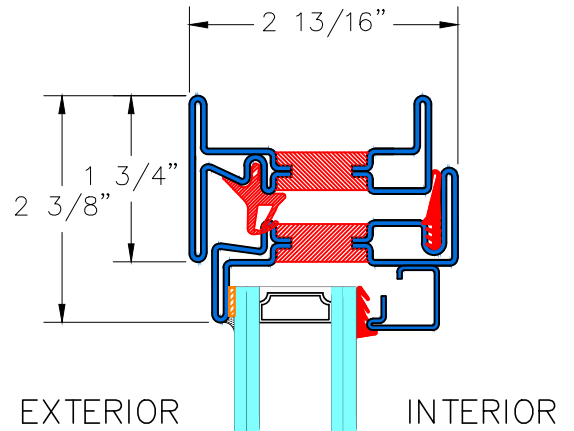
## Typical Details

PROJECT IN / FIXED  
Scale: Half Scale

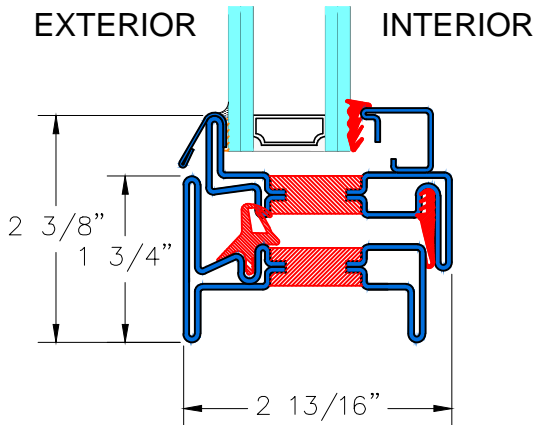
Thermally Broken  
Cold Rolled Steel  
Up To 1-1/4" Insulated Glass



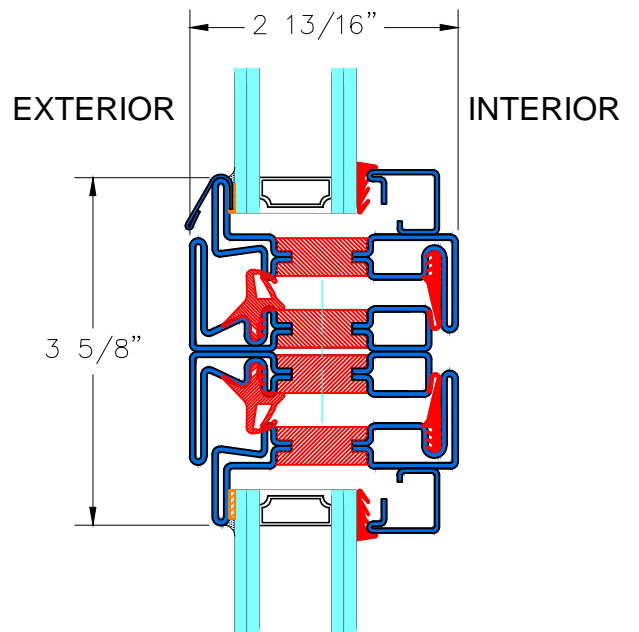
**A&B** TYPICAL HINGED JAMB



**C** TYPICAL HEAD



**D** TYPICAL SILL



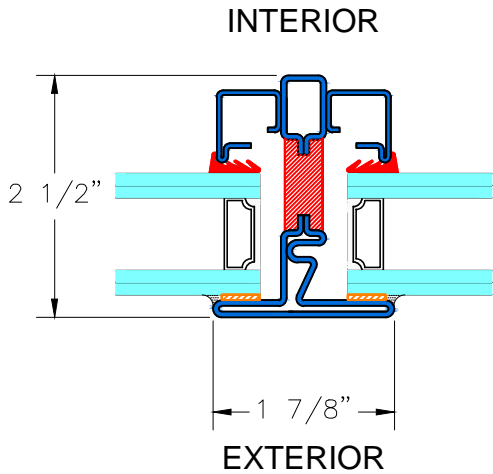
**E** TYPICAL STACKING JOINT



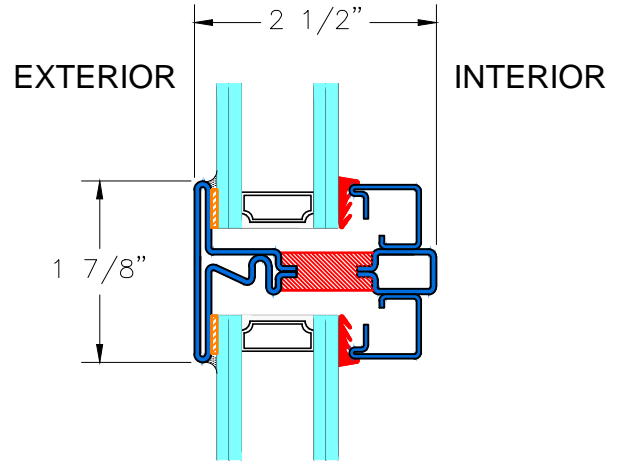
## Typical Details

PROJECT IN / FIXED  
Scale: Half Scale

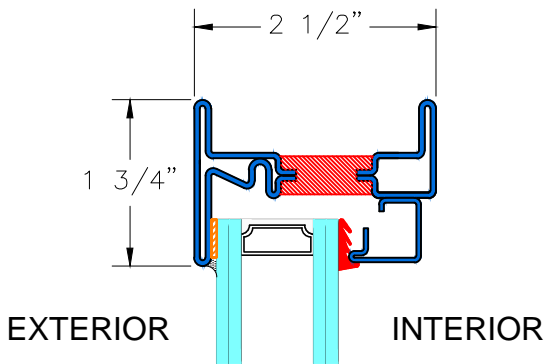
Thermally Broken  
Cold Rolled Steel  
Up To 1-1/4" Insulated Glass



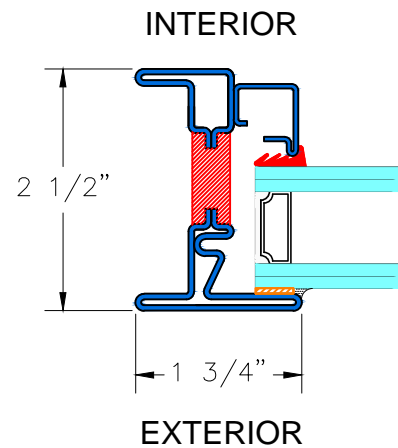
**F** TYPICAL VERTICAL MUNTIN



**G** TYPICAL HORIZONTAL MUNTIN



**H&J** TYPICAL FIXED HEAD & SILL



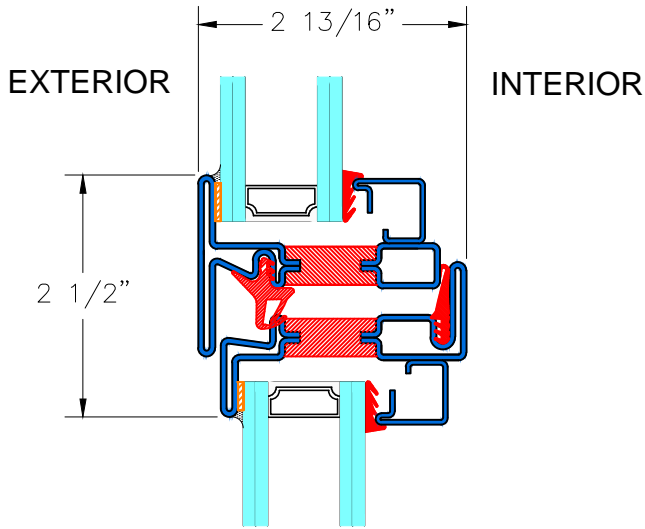
**K&L** TYPICAL FIXED JAMB



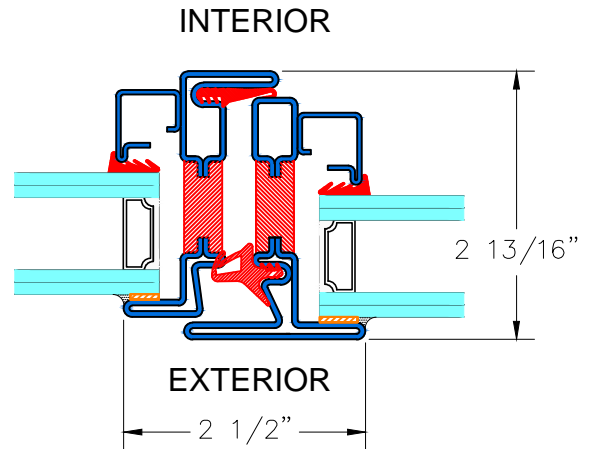
## Typical Details

PROJECT IN / FIXED  
Scale: Half Scale

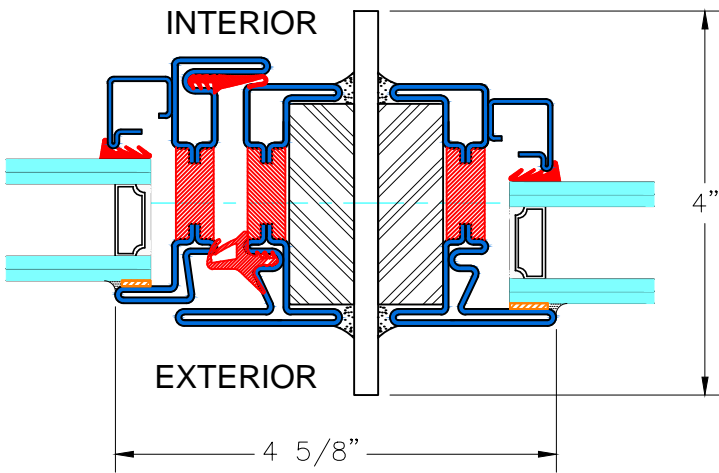
Thermally Broken  
Cold Rolled Steel  
Up To 1-1/4" Insulated Glass



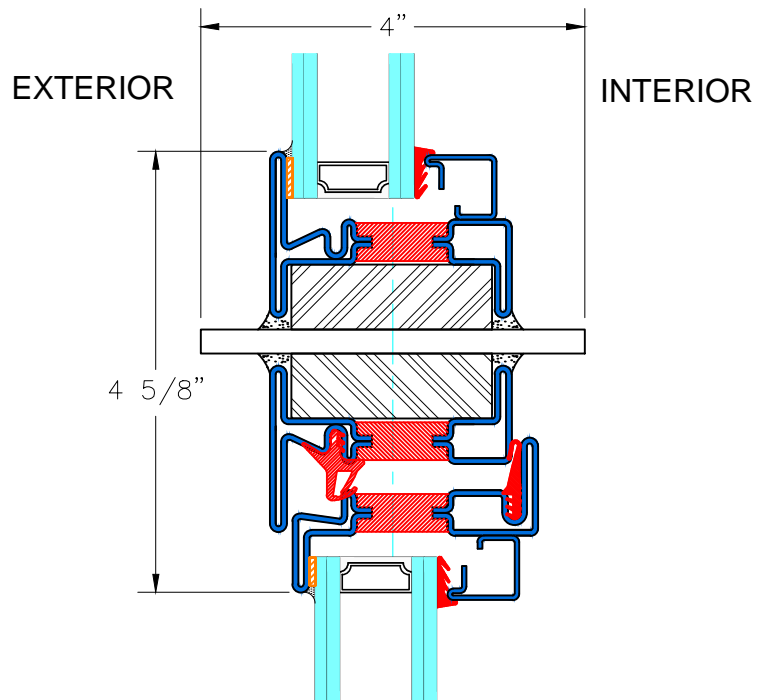
**P** TYPICAL STACKING  
TRANSOM



**R** TYPICAL JOINING  
SIDELITE



**S** TYPICAL JOINING  
MULLION



**T** TYPICAL STACKING  
MULLION



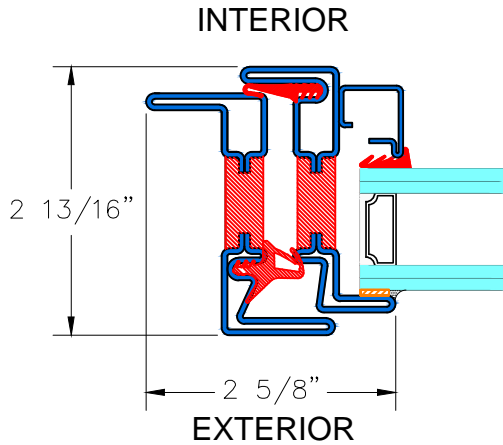
## Typical Details

PROJECT IN / FIXED  
Scale: Half Scale

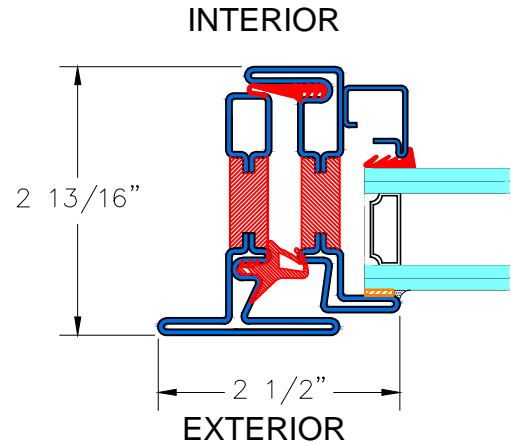
Thermally Broken  
Cold Rolled Steel  
Up To 1-1/4" Insulated Glass

PAGE 6 OF 6

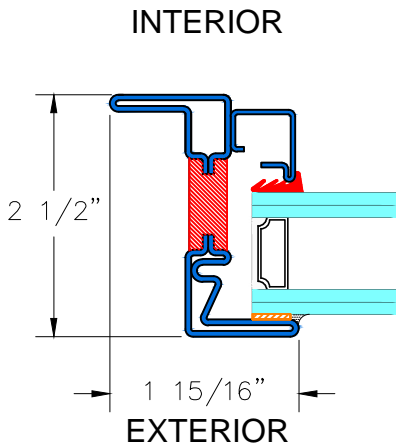
### OPTIONAL FLANGE FRAME



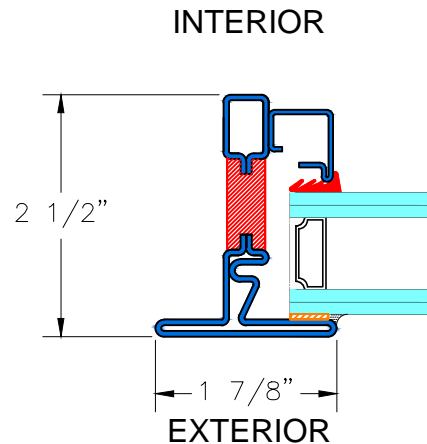
**1** TYPICAL JAMB  
INTERIOR FLANGE



**2** TYPICAL JAMB  
EXTERIOR FLANGE



**3** TYPICAL FIXED  
INTERIOR FLANGE



**4** TYPICAL FIXED  
EXTERIOR FLANGE

