

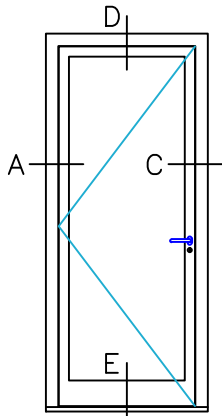
## Typical Exterior Elevations

# 5500-ID SERIES

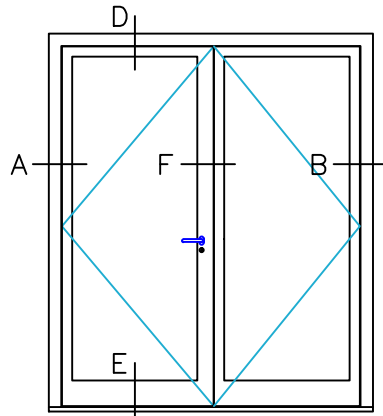
INSWING DOORS / FIXED

Scale: Not To Scale

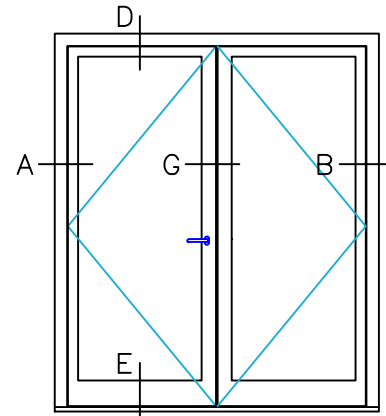
PAGE 1 OF 8



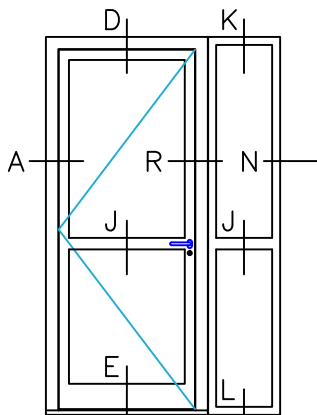
5500\_11\_ID



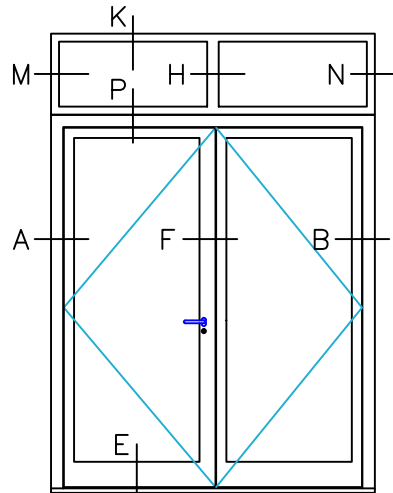
5500\_21\_FR\_ID



5500\_21\_DB\_ID

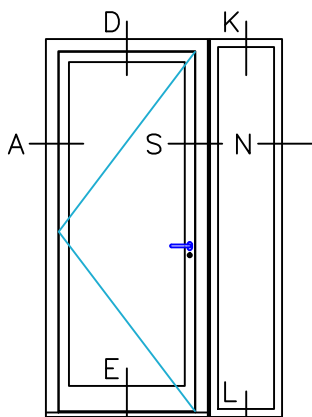


5500\_22\_ID\_FX

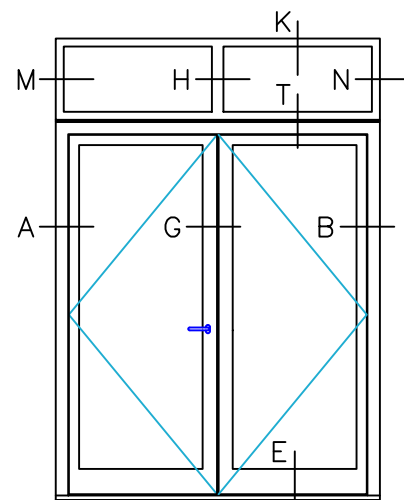


5500\_22\_FR\_IC\_FX

\*LEVER HANDLE ON  
PRIMARY VENT ONLY  
\* PUSH/PULL ARMS TO  
BE SELECTED BY  
OTHERS



5500\_21\_ID\_FX



5500\_22\_DB\_ID\_FX



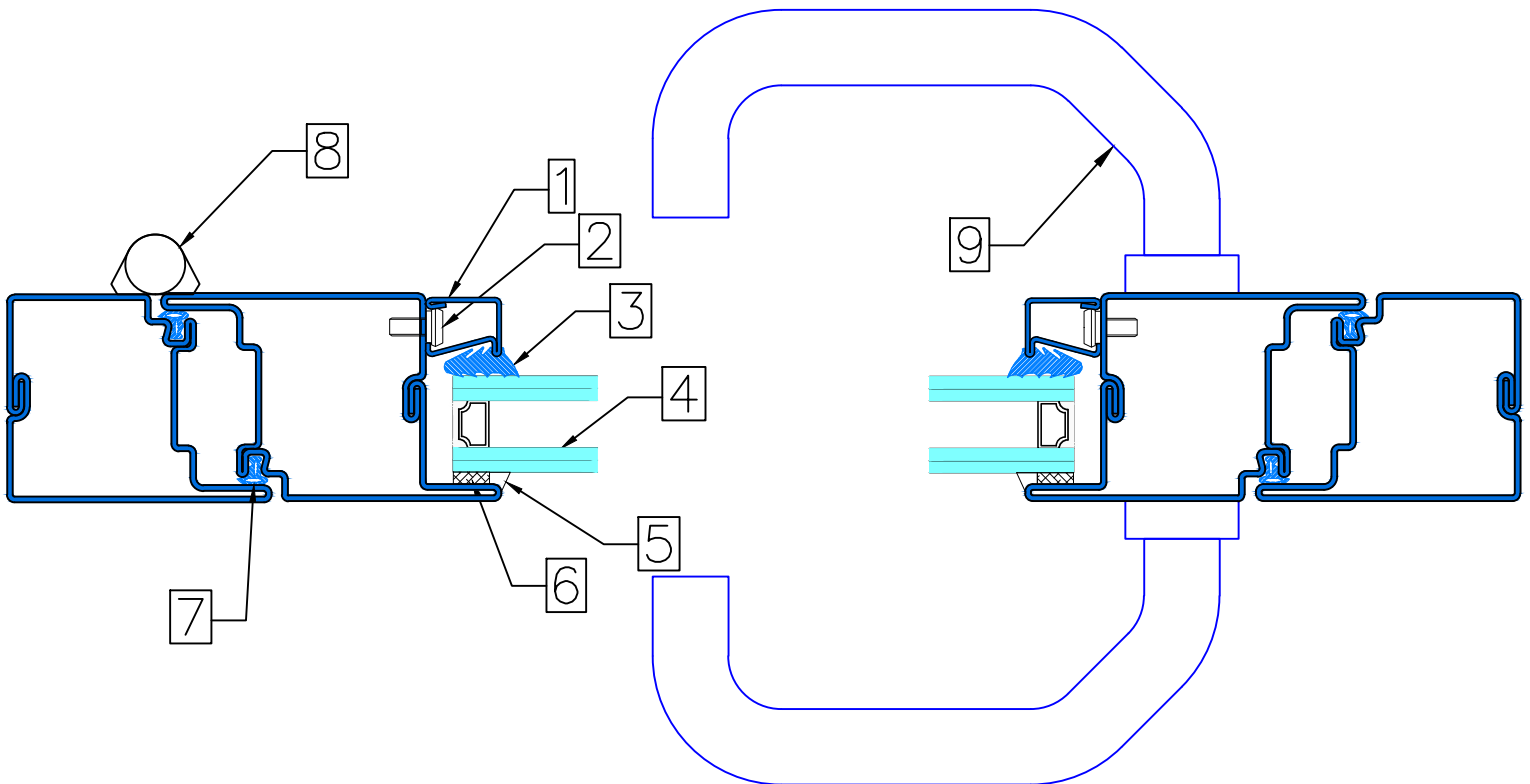
## Key Typical

INSWING DOORS / FIXED  
Scale: Half Scale

PAGE 2 OF 8

## KEY (TYPICAL)

1. Snap in steel glazing bead (other options available)
2. Snap fastener
3. Extruded EPDM wedge gasket (by OWM)
4. Glass and glazing (by others)
5. Silicone cap bead (by others)
6. Glazing tape
7. Weather stripping
8. Steel flex hinge
9. Stainless steel flex handle

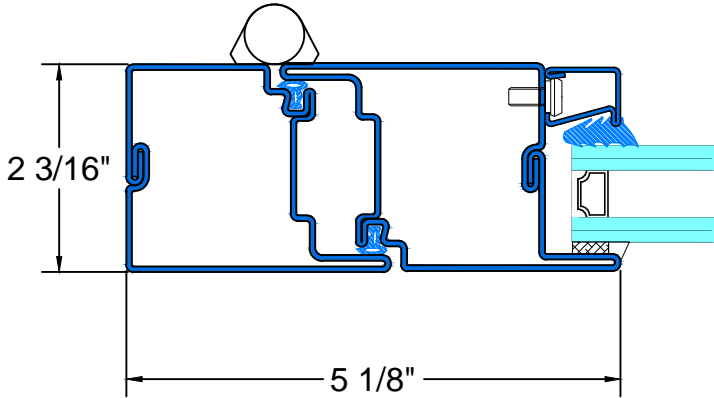


## Typical Details

INSWING DOORS / FIXED

Scale: Half Scale

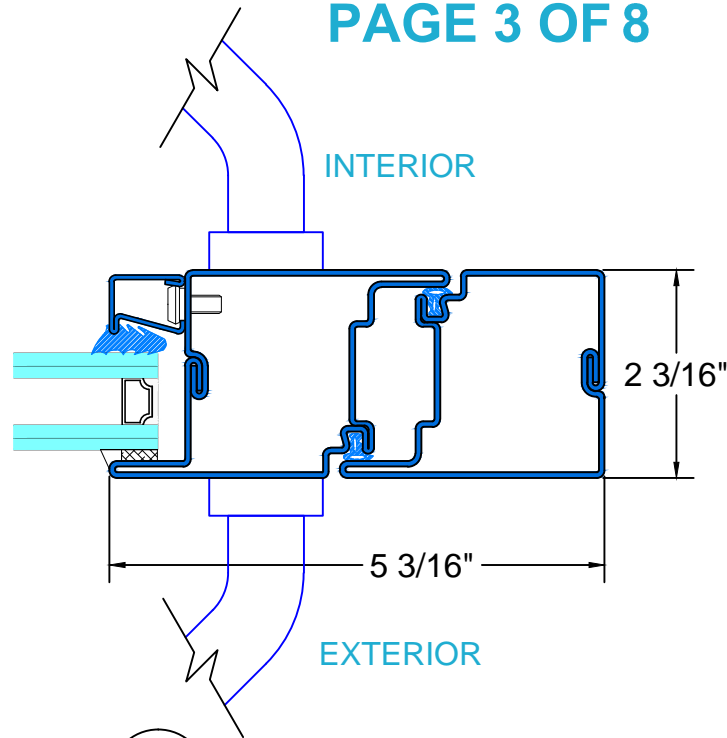
INTERIOR



EXTERIOR

**A&B** TYPICAL HINGED JAMB

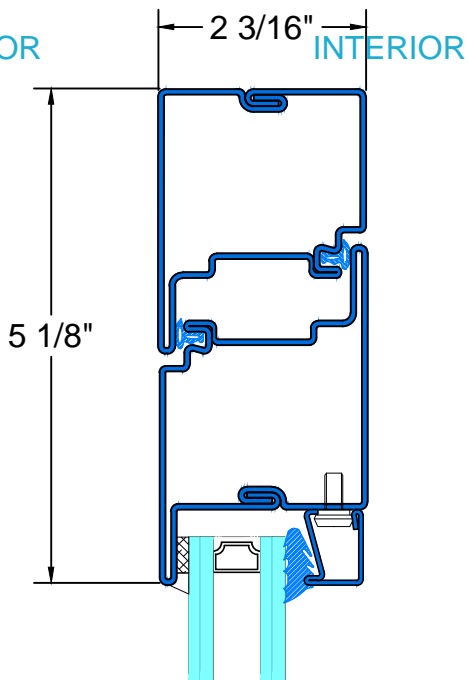
INTERIOR



EXTERIOR

**C** TYPICAL LOCKING JAMB

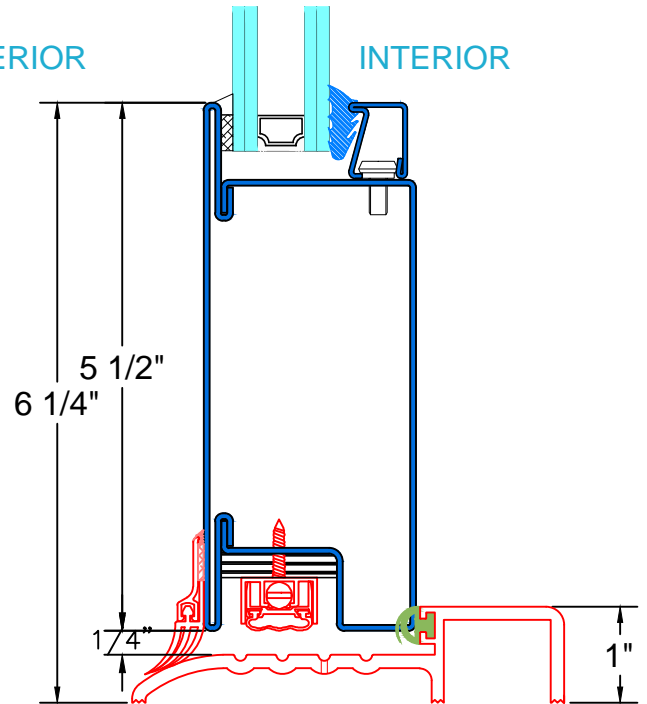
EXTERIOR



**D** TYPICAL HEAD

EXTERIOR

INTERIOR

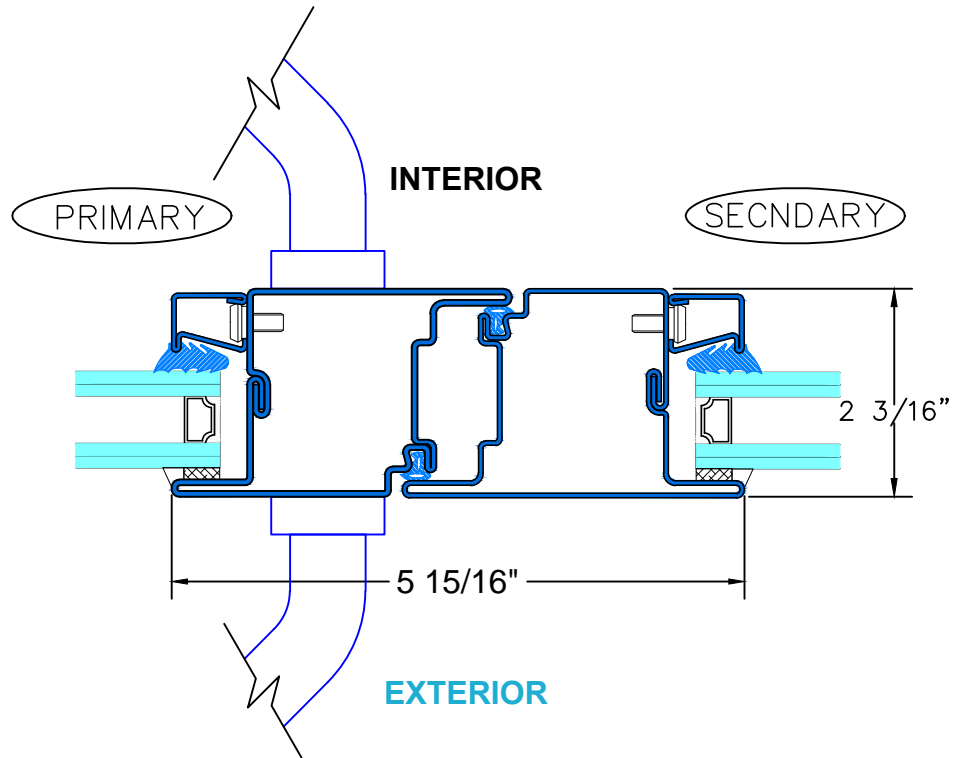


**E** TYPICAL KICKPLATE

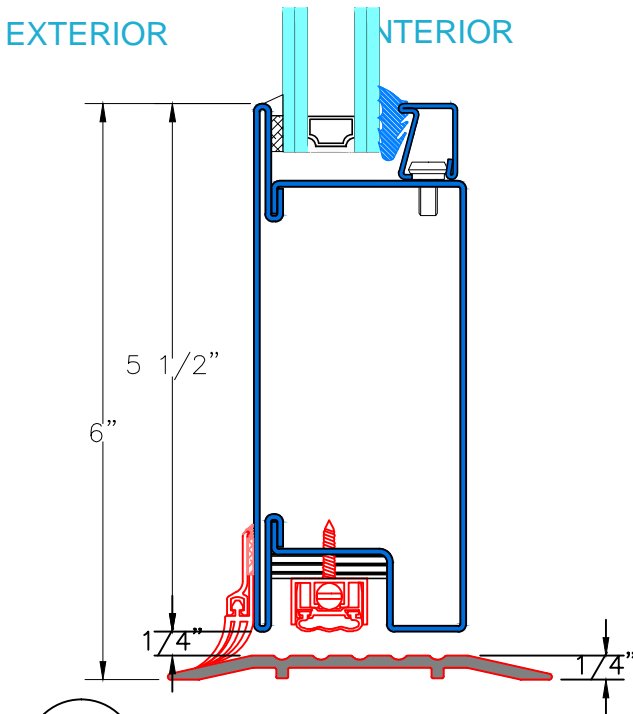


## Typical Details

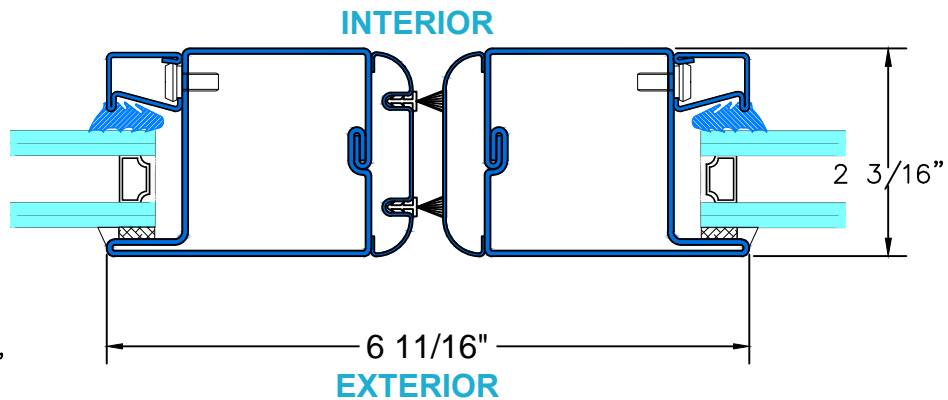
INSWING DOORS / FIXED  
Scale: Half Scale



**F** TYPICAL FRENCH MEETING RAIL



**E1** TYPICAL COMMERCIAL KICKPLATE AND SADDLE

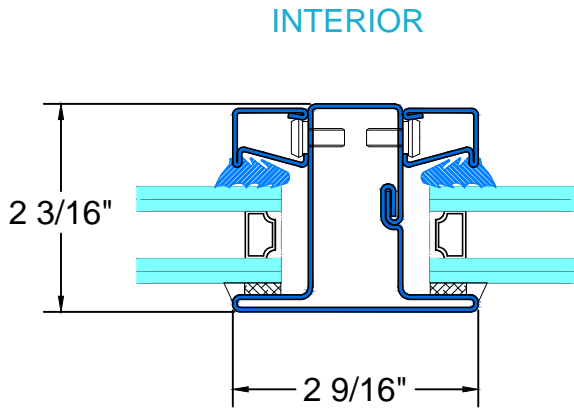


**G** TYPICAL DOUBLE MEETING RAIL

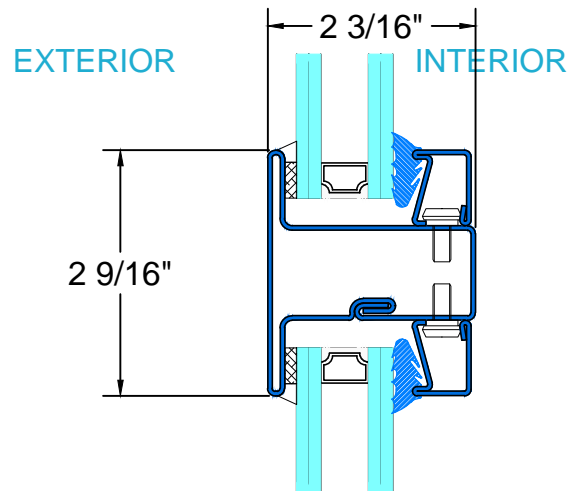


## Typical Details

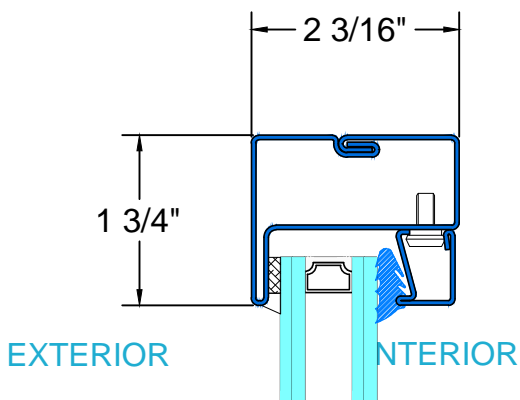
INSWING DOORS / FIXED  
Scale: Half Scale



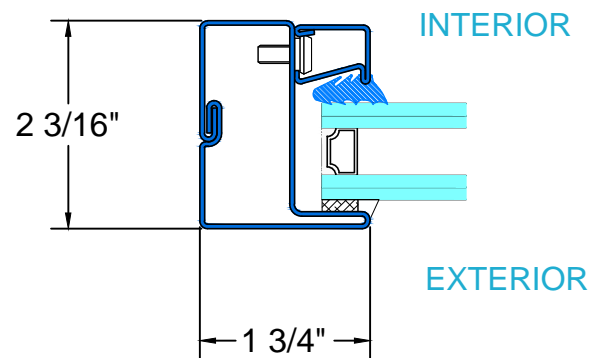
**H** TYPICAL VERTICAL MUNTIN



**J** TYPICAL HORIZONTAL MUNTIN



**K&L** TYPICAL FIXED HEAD & SILL

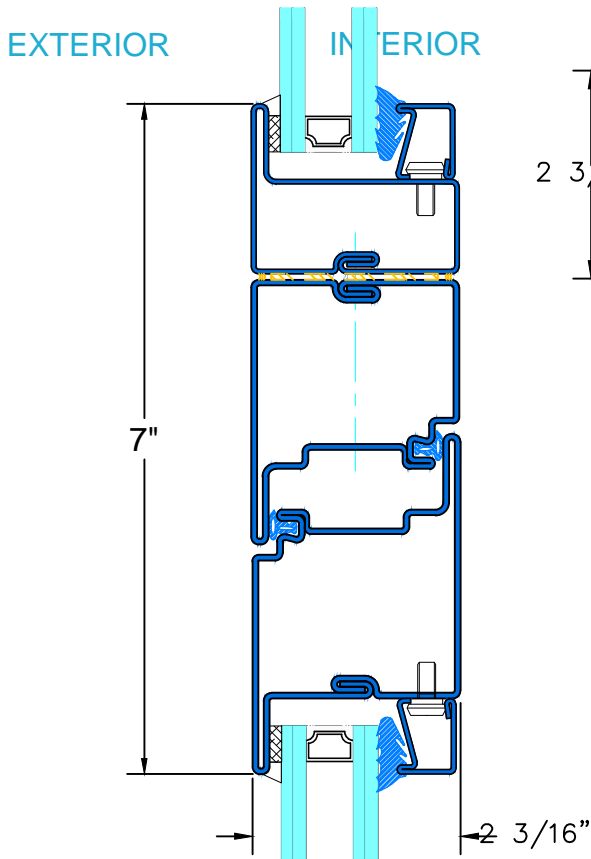


**M&N** TYPICAL FIXED JAMB

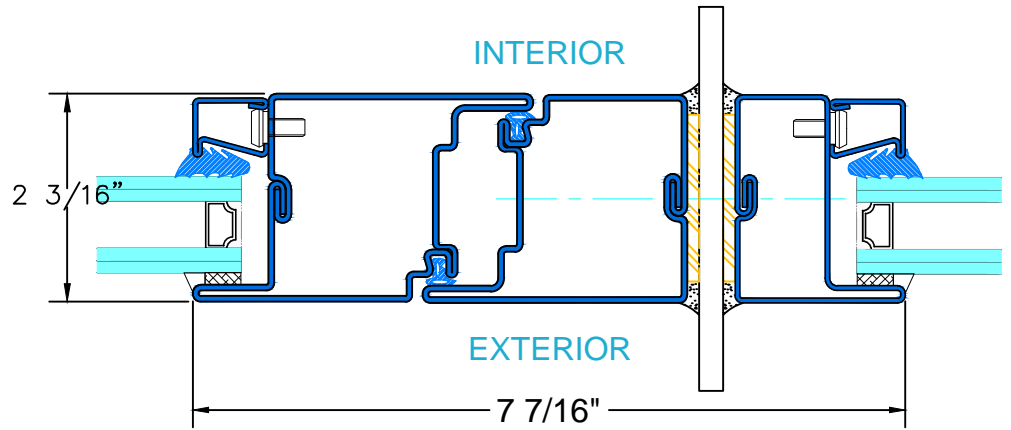


## Typical Details

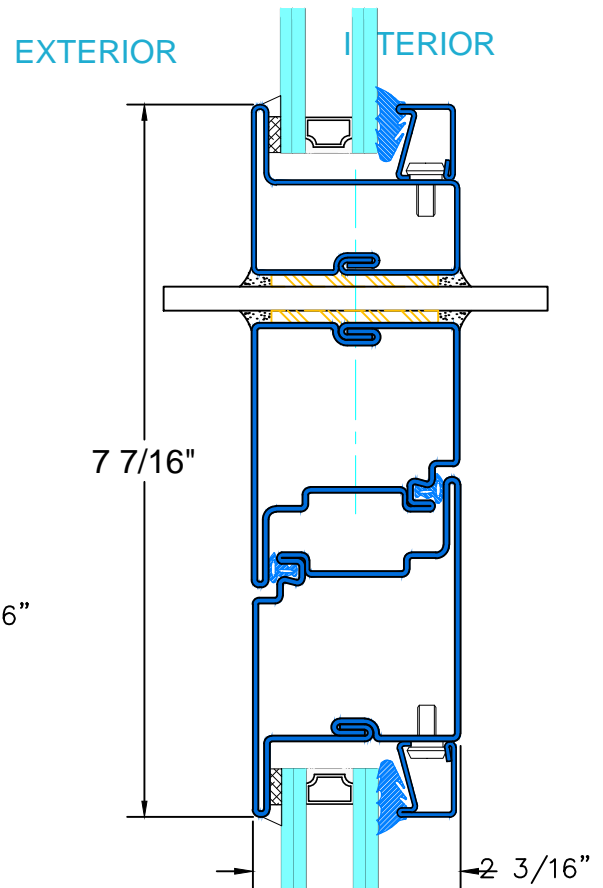
IN SWING DOORS / FIXED  
Scale: Half Scale



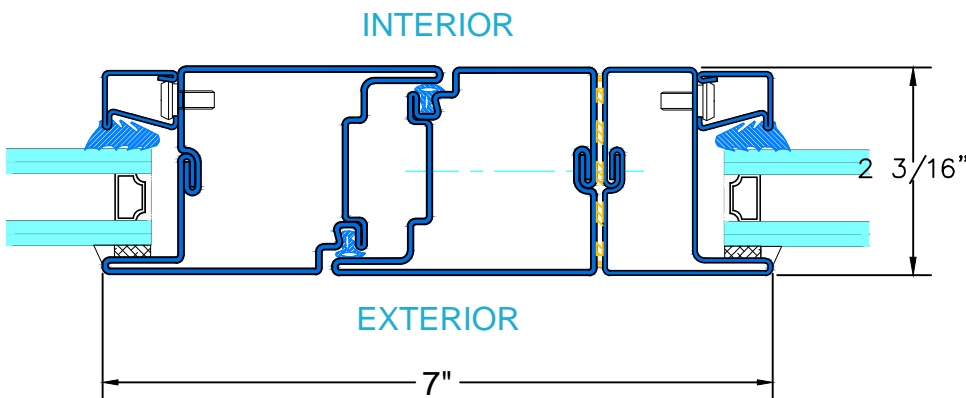
**P** TYPICAL STACKING TRANSOM



**S** TYPICAL JOINING MULLION



**T** TYPICAL STACKING MULLION



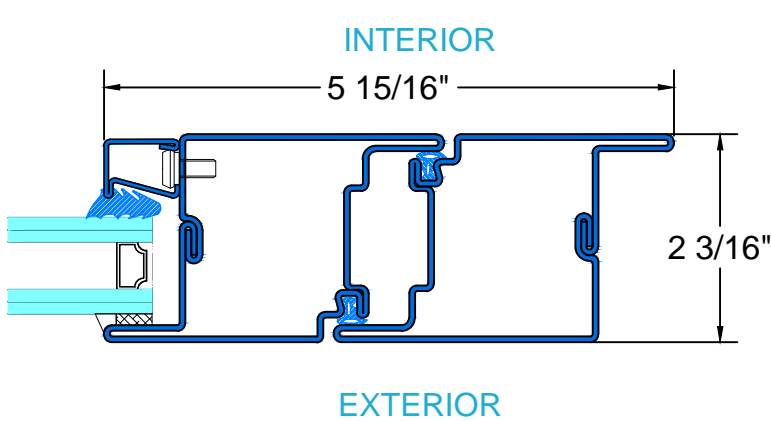
**R** TYPICAL JOINING SIDELITE



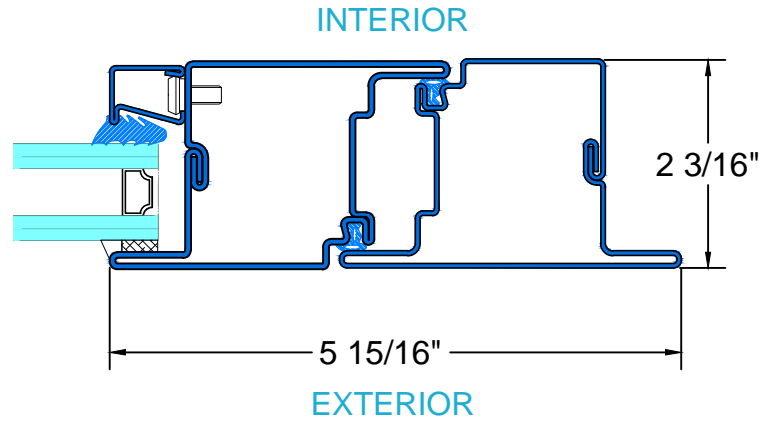
## Typical Details

INSWING DOORS / FIXED  
Scale: Half Scale

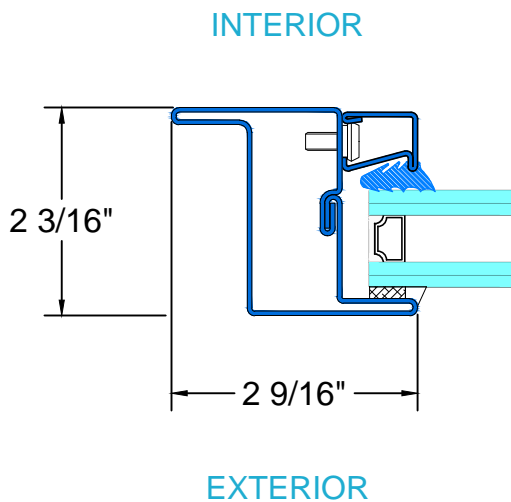
### OPTIONAL FLANGE FRAME



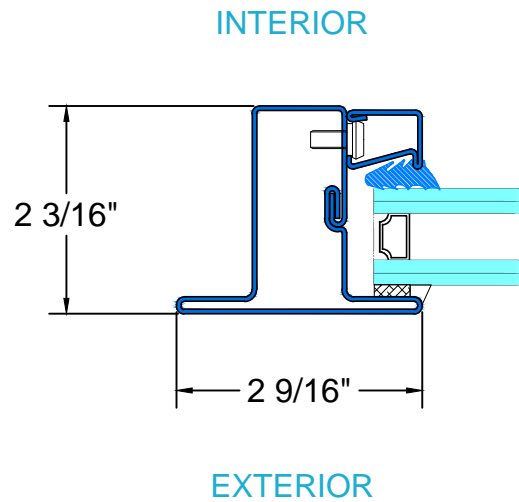
**1** TYPICAL JAMB  
INTERIOR FLANGE



**2** TYPICAL JAMB  
EXTERIOR FLANGE



**3** TYPICAL FIXED  
INTERIOR FLANGE



**4** TYPICAL FIXED  
EXTERIOR FLANGE

