

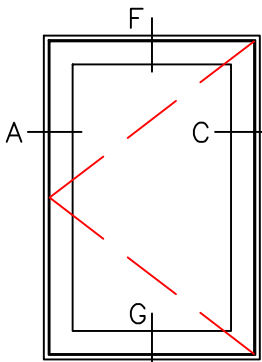
Typical Exterior Elevations

5500-OC SERIES

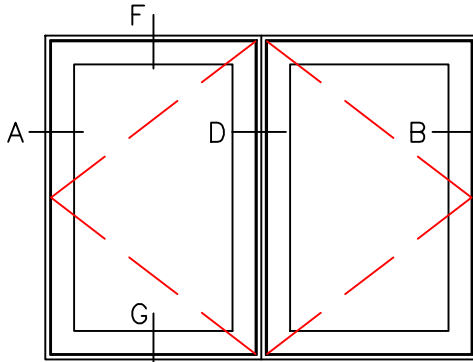
OUTSWING CASEMENTS / FIXED

Scale: Not To Scale

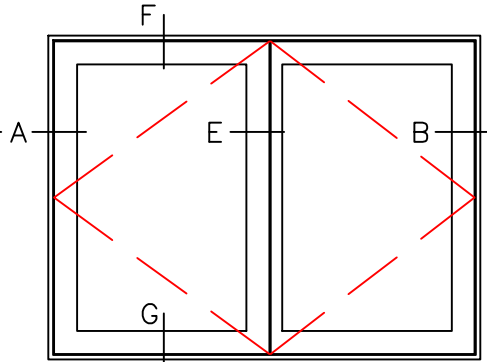
PAGE 1 OF 6



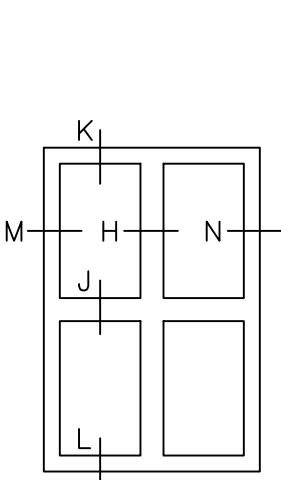
5500_11_OC



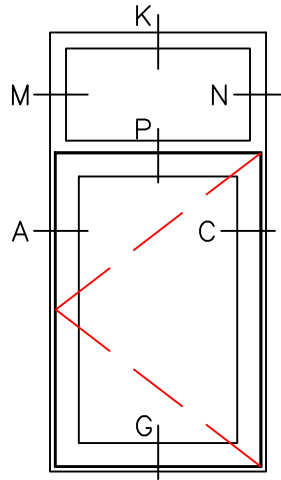
5500_21_DC_OC



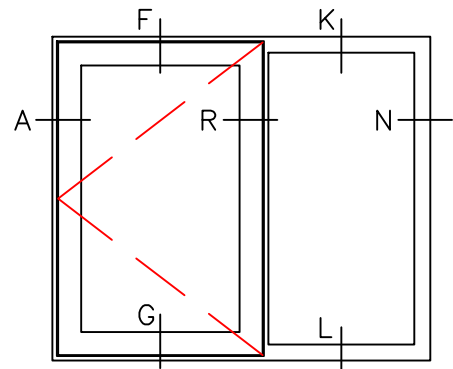
5500_21_FR_OC



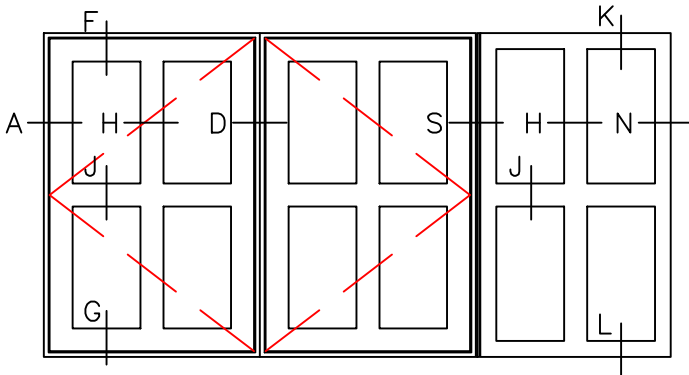
5500_22_FX



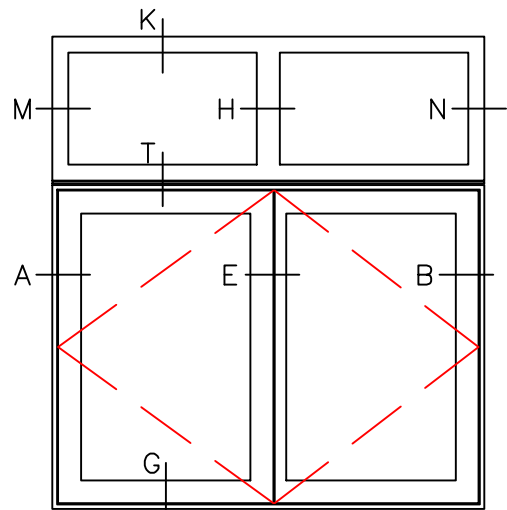
5500_12_OC_FX



5500_21_OC_FX



5500_62_DC_OC_FX



5500_22_FR_OC_FX



OUTSWING CASEMENTS / FIXED

Scale: Half Scale

KEY (TYPICAL)

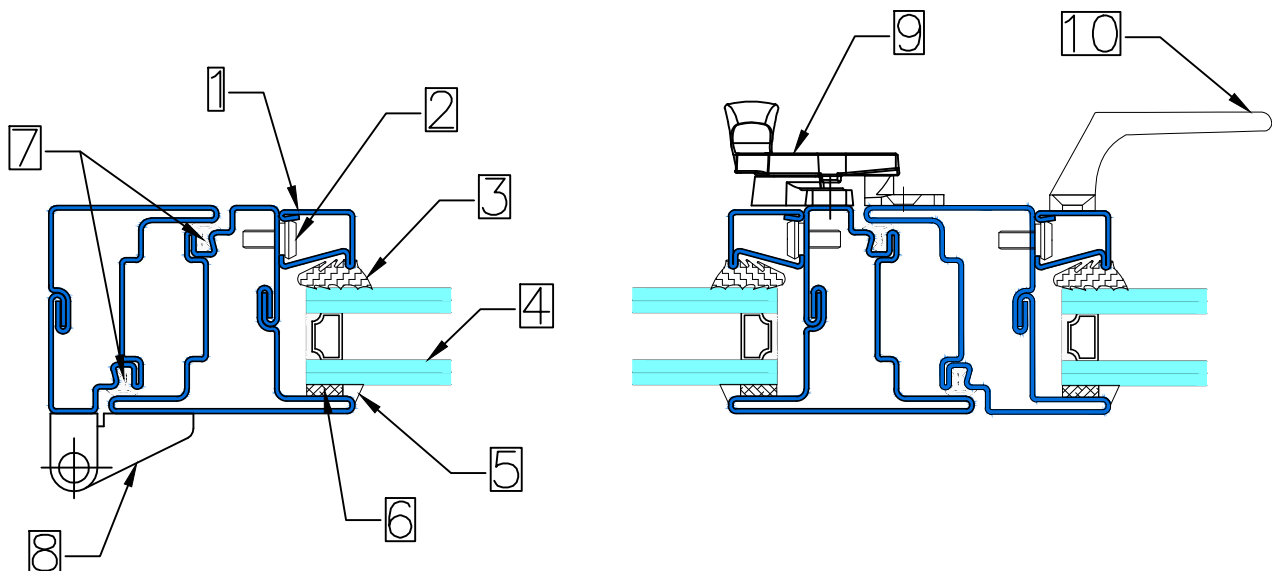
1. SNAP IN STEEL GLAZING BEAD
2. SNAP FASTENER
3. WEDGE GASKET
4. GLASS AND GLAZING (BY OTHERS)
5. SILICONE CAP BEAD (BY OTHERS)
6. GLAZING TAPE (BY OTHERS)
7. WEATHER STRIPPING (EXTRUDED EPM)
8. STEEL FLEX HINGE
9. WHITE BRONZE FLEX FASTENER WITH KEEPER

*NOTE: BRONZE HARDWARE IS OWM'S

STANDARD

OTHER FINISHES AVAILABLE

10. BRONZE T-PULL (LOCATED 4" BELOW FASTENER)

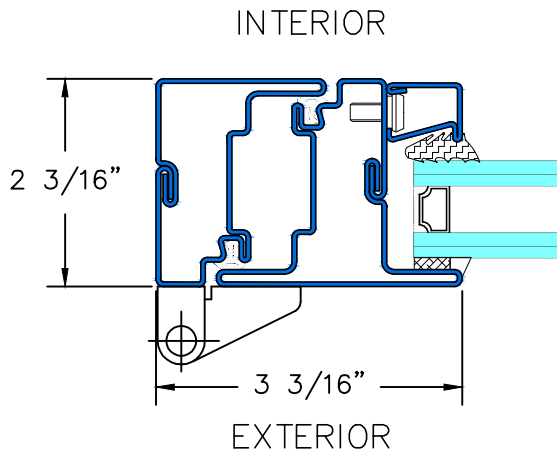


28 Canal Street, Ellenville, NY 12428

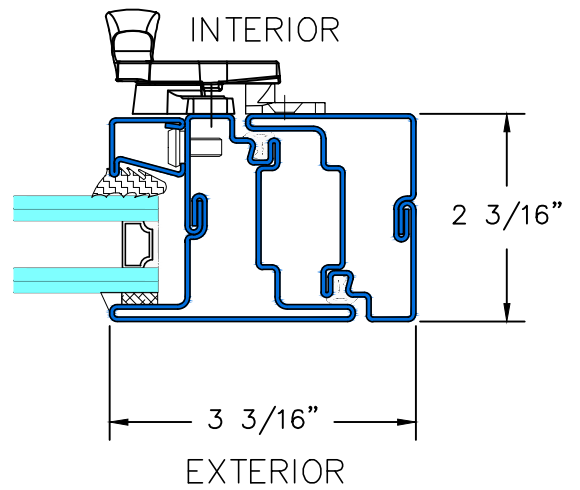
Phone (845) 647-1900

Typical Details

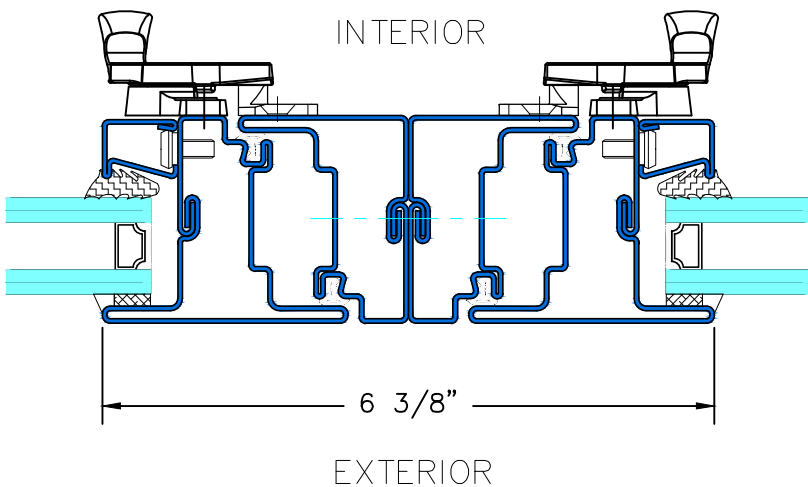
OUTSWING CASEMENTS / FIXED
Scale: Half Scale



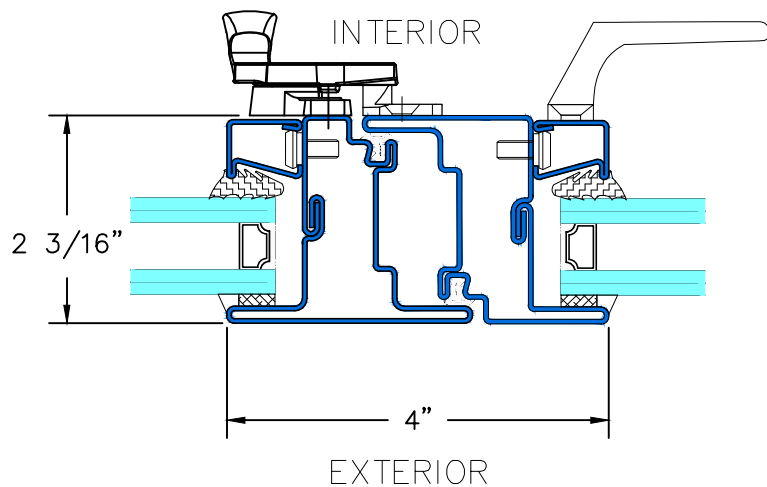
A&B TYPICAL HINGED JAMB



C TYPICAL LOCKING JAMB



D TYPICAL MEETING RAIL



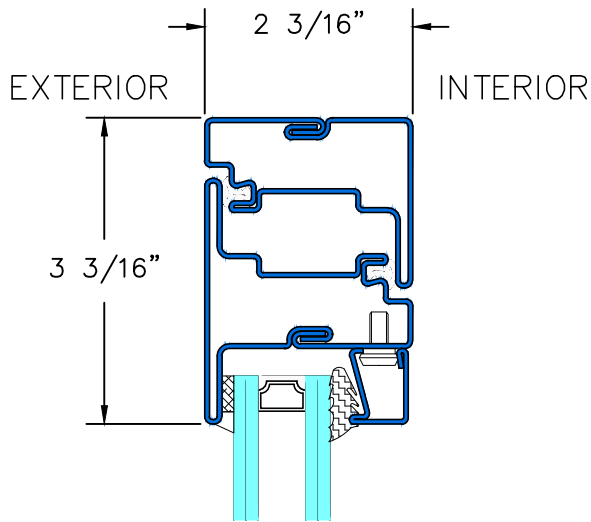
E TYPICAL FRENCH MEETING RAIL



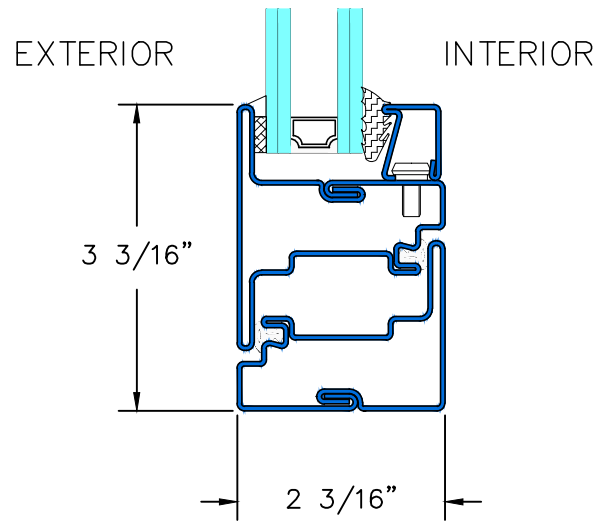
Typical Details

OUTSWING CASEMENTS / FIXED

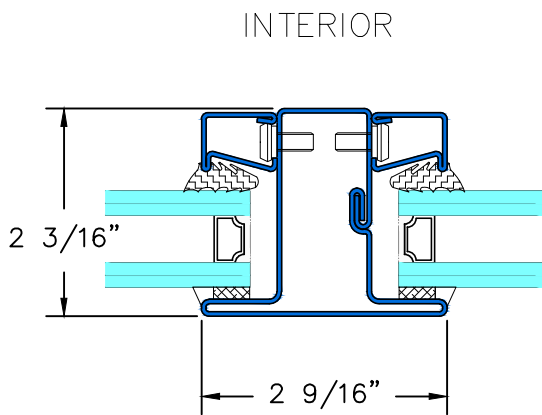
Scale: Half Scale



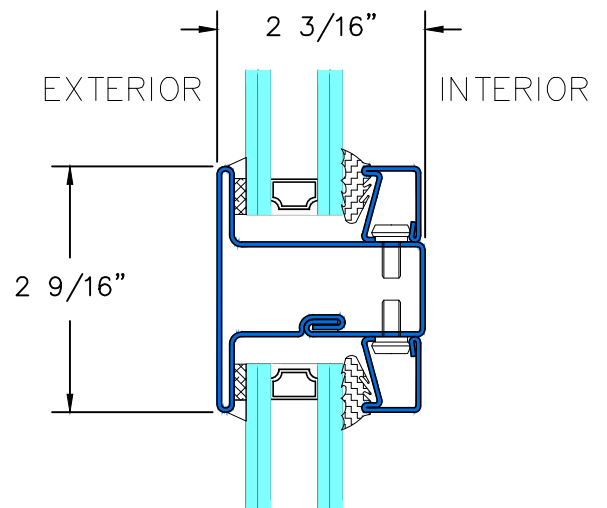
F TYPICAL HEAD



G TYPICAL SILL



H TYPICAL VERTICAL MUNTIN



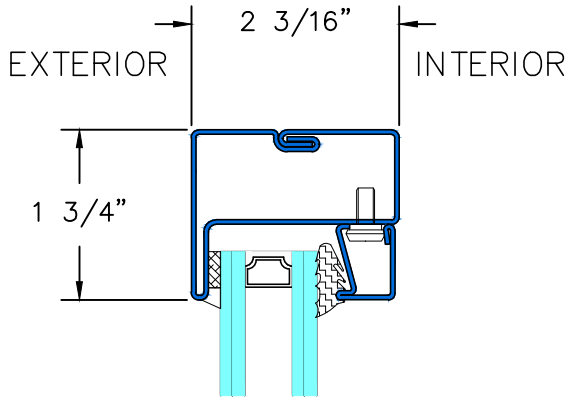
J TYPICAL HORIZONTAL MUNTIN



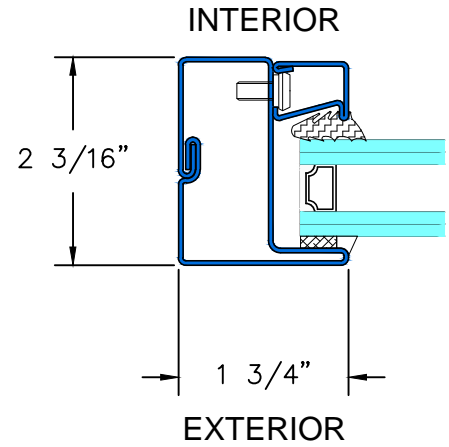
Typical Details

OUTSWING CASEMENTS / FIXED

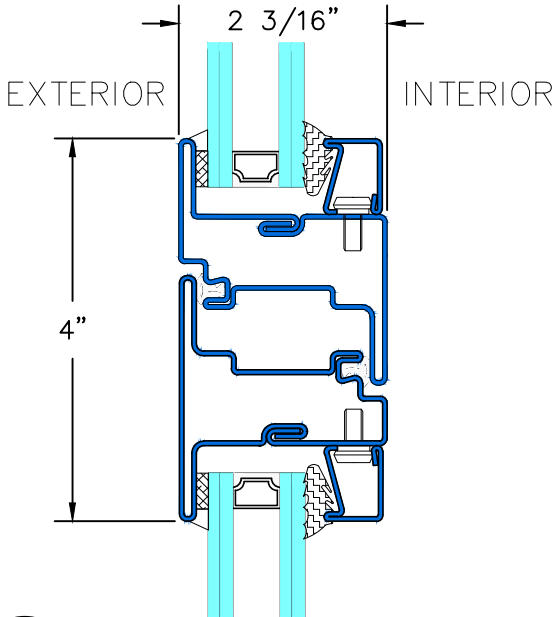
Scale: Half Scale



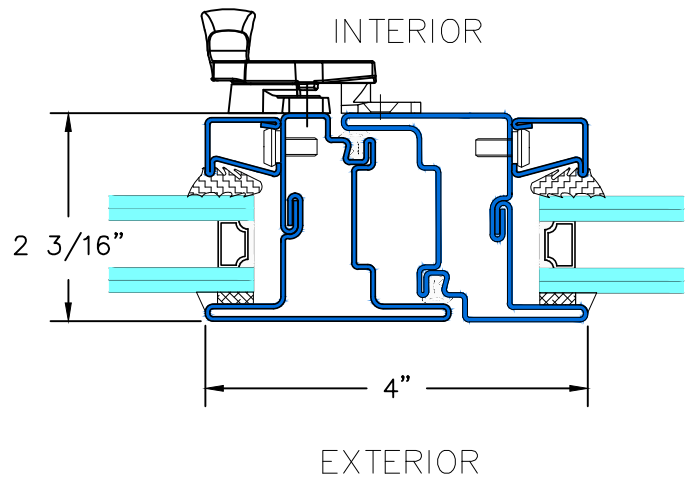
K&L TYPICAL FIXED HEAD & SILL



M&N TYPICAL FIXED JAMB



P TYPICAL HEAD W/ TRANSOM



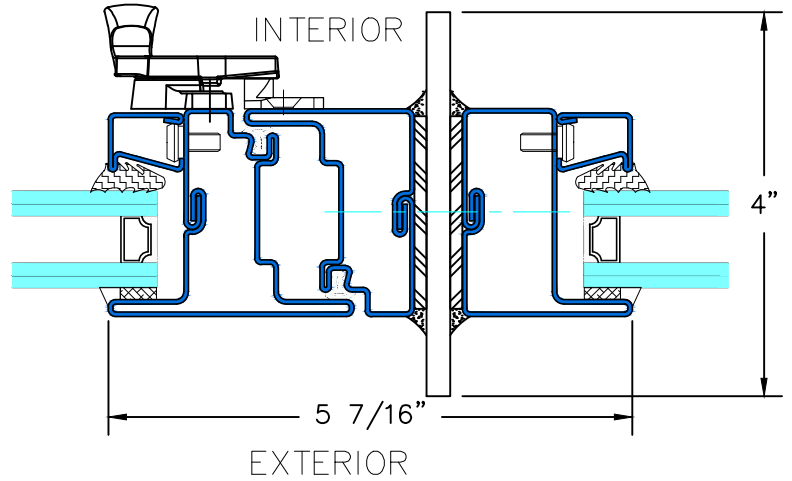
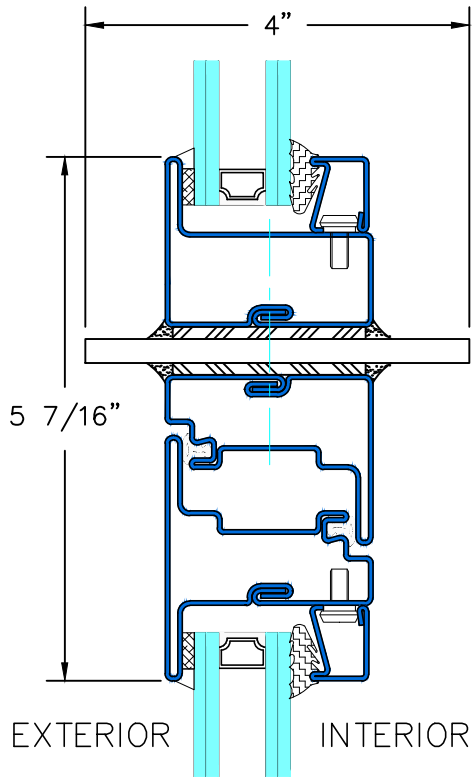
R TYPICAL JAMB W/ SIDELITE



Typical Details

OUTSWING CASEMENTS / FIXED

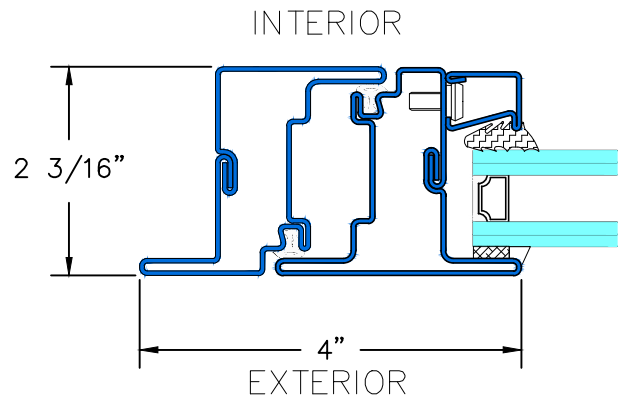
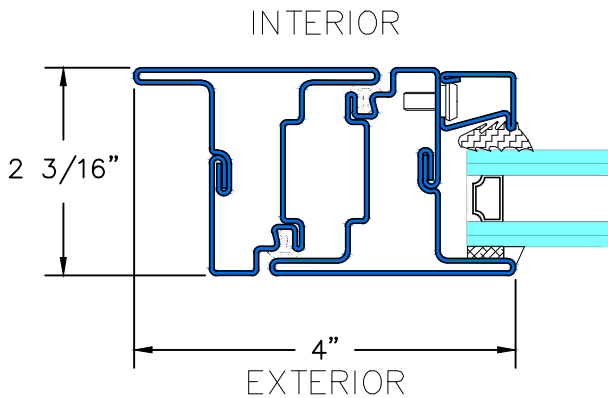
Scale: Half Scale



S TYPICAL STACKING MULLION

T TYPICAL JOINING MULLION

OPTIONAL FLANGE FRAME



1 TYPICAL JAMB INTERIOR FLANGE

2 TYPICAL JAMB EXTERIOR FLANGE

