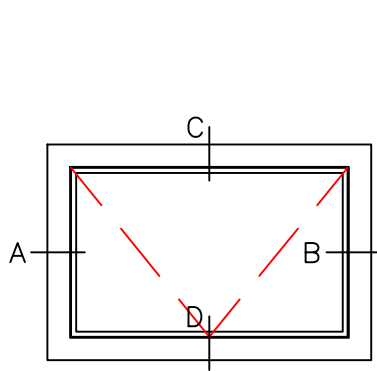


Typical Exterior Elevations

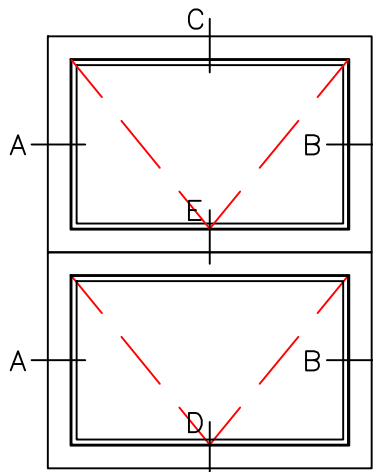
5500-PI SERIES

PROJECT IN / FIXED
Scale: Not To Scale

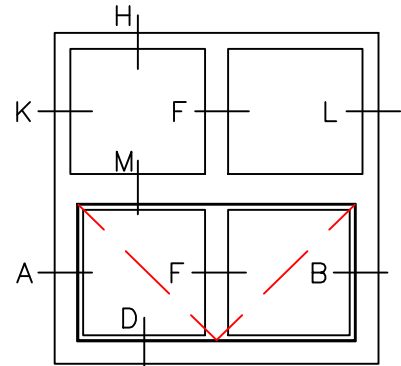
PAGE 1 OF 6



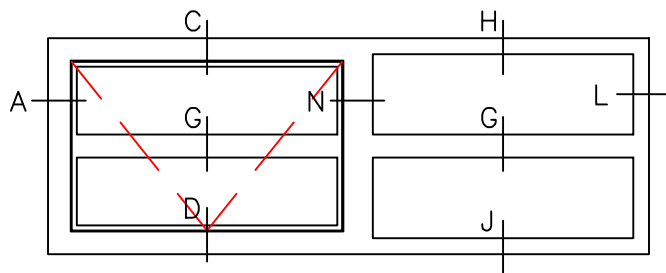
5500_11_PI



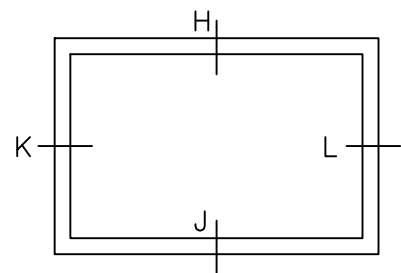
5500_12_PI_PI



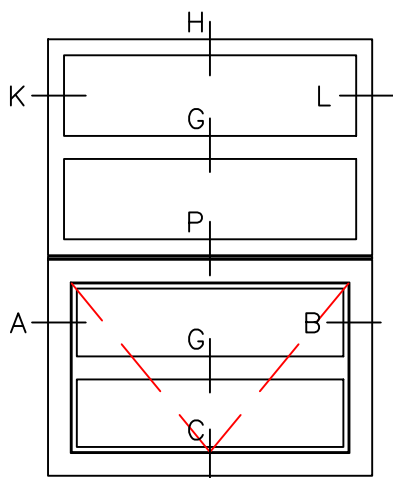
5500_22_PI_FX



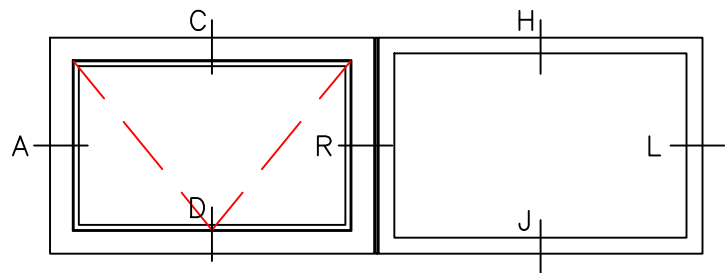
5500_22_PI_FX



5500_11_FX



5500_14_PI_FX



5500_21_PI_FX



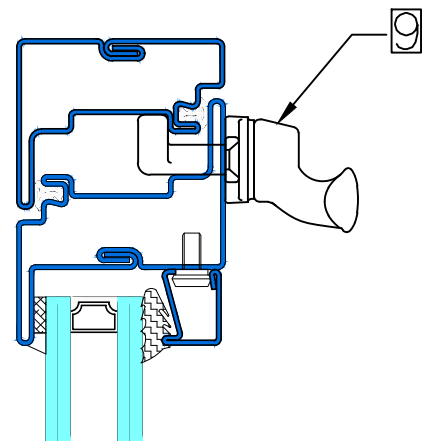
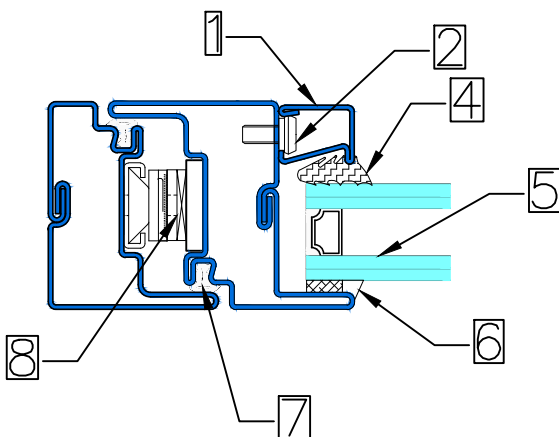
PROJECT IN / FIXED
Scale: Half Scale

PAGE 2 OF 6

KEY (TYPICAL)

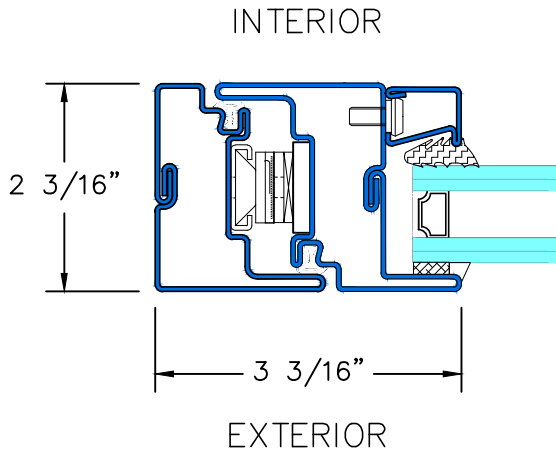
1. SNAP IN STEEL GLAZING BEAD
2. SNAP FASTENER
3. WEDGE GASKET
4. GLASS AND GLAZING (BY OTHERS)
5. SILICONE CAP BEAD (BY OTHERS)
6. GLAZING TAPE (BY OTHERS)
7. WEATHER STRIPPING (EXTRUDED EPM)
8. STAINLESS STEEL 4 BAR HINGE
9. WHITE BRONZE PROJECT IN FASTENER WITH KEEPER

*NOTE: BRONZE HARDWARE IS OWM'S STANDARD
OTHER FINISHES AVAILABLE

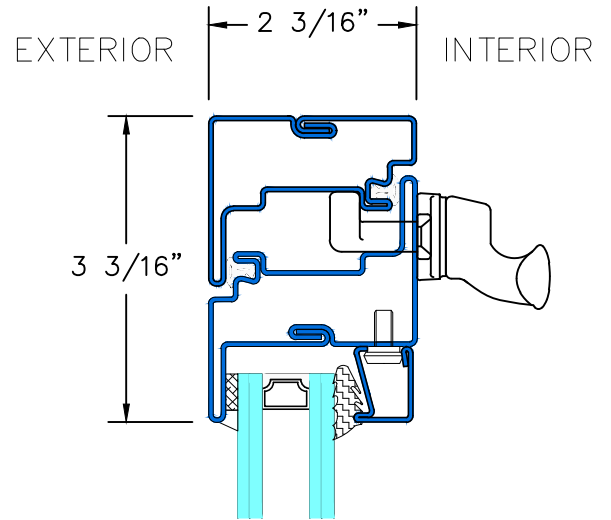


Typical Details

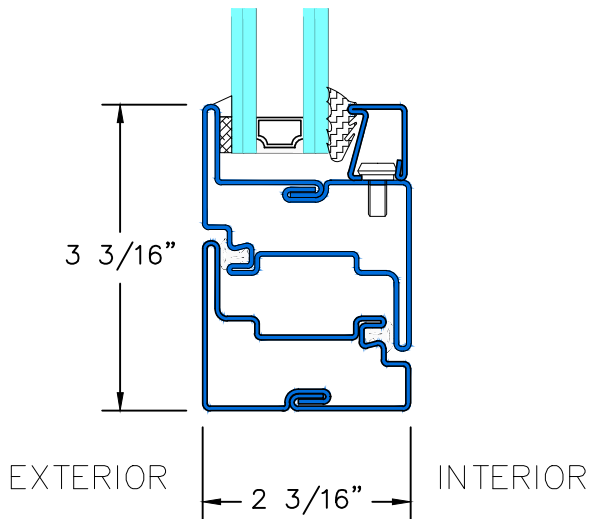
PROJECT IN / FIXED
Scale: Half Scale



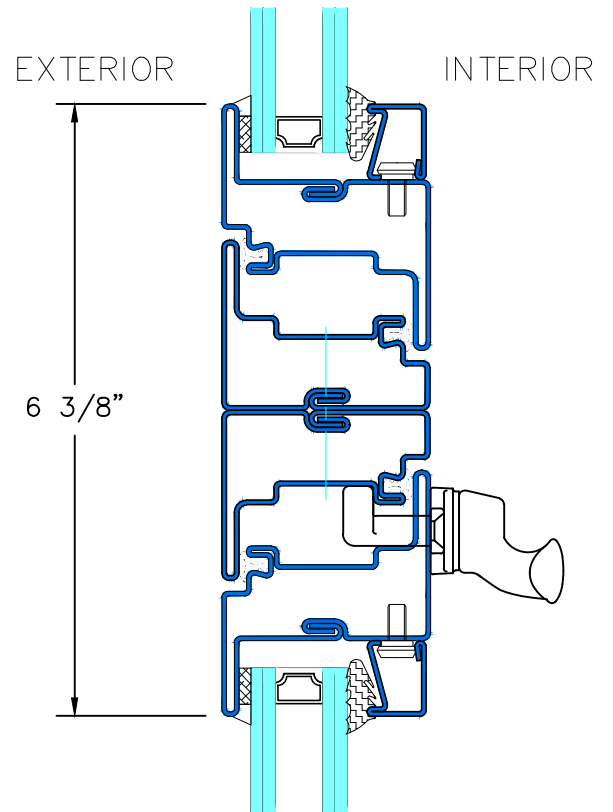
A&B TYPICAL HINGED JAMB



C TYPICAL HEAD



D TYPICAL SILL

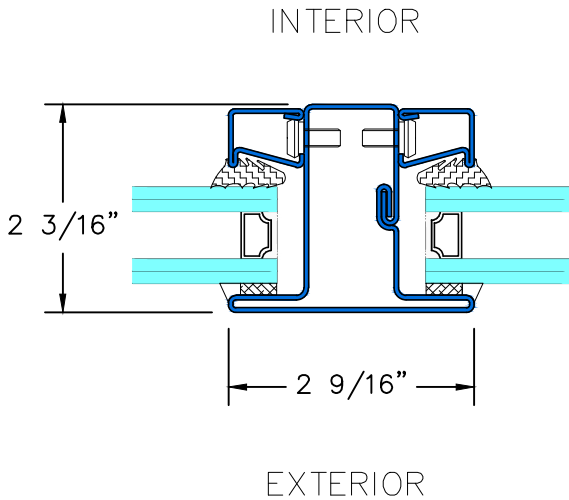


E TYPICAL STACKING JOINT

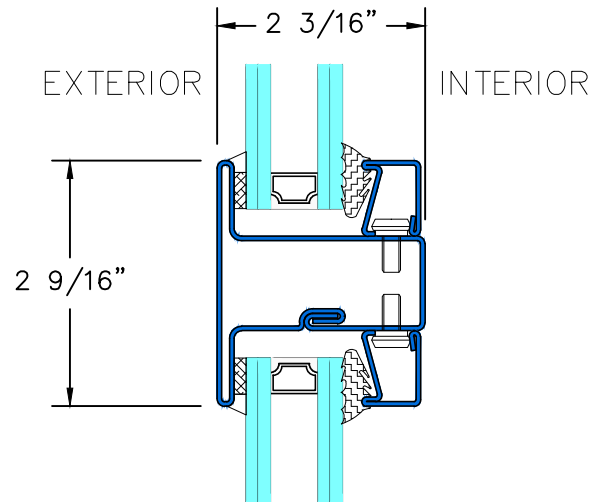


Typical Details

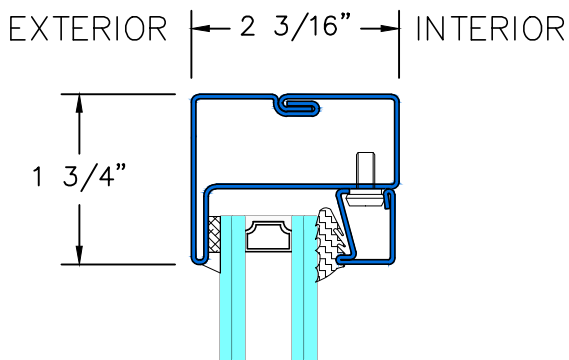
PROJECT IN / FIXED
Scale: Half Scale



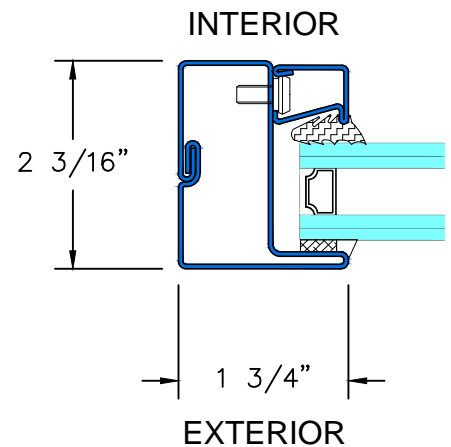
F TYPICAL VERTICAL MUNTIN



G TYPICAL HORIZONTAL MUNTIN



H&J TYPICAL FIXED HEAD & SILL



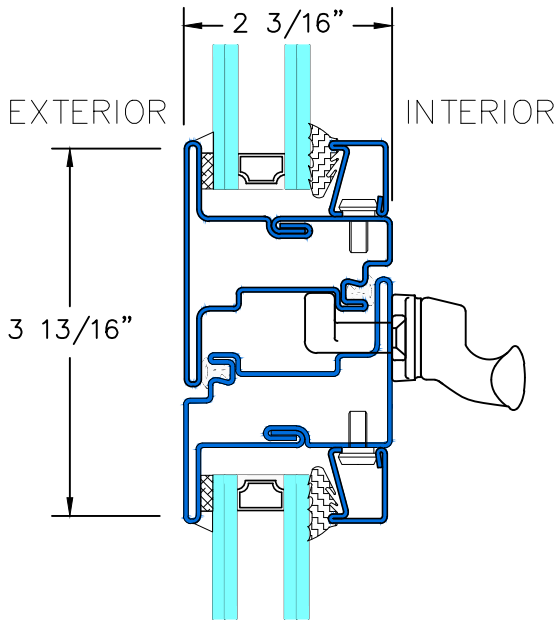
K&L TYPICAL FIXED JAMB



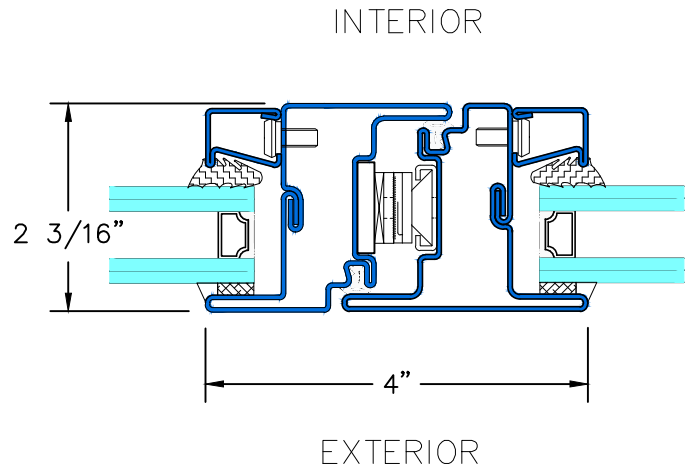
Typical Details

PROJECT IN / FIXED

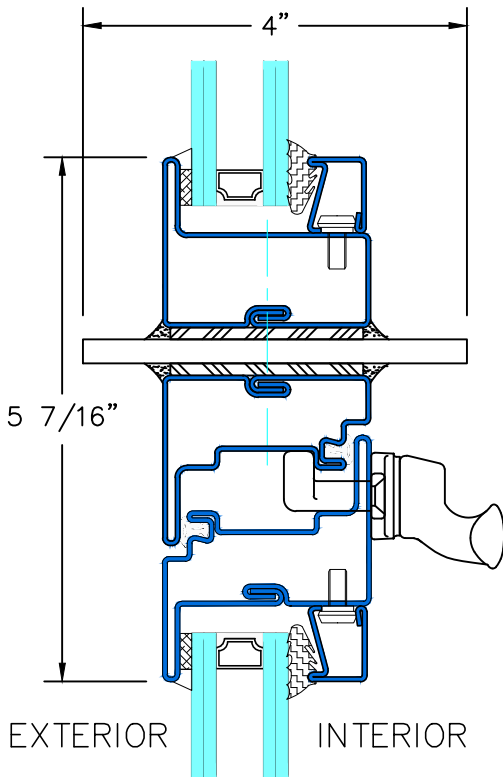
Scale: Half Scale



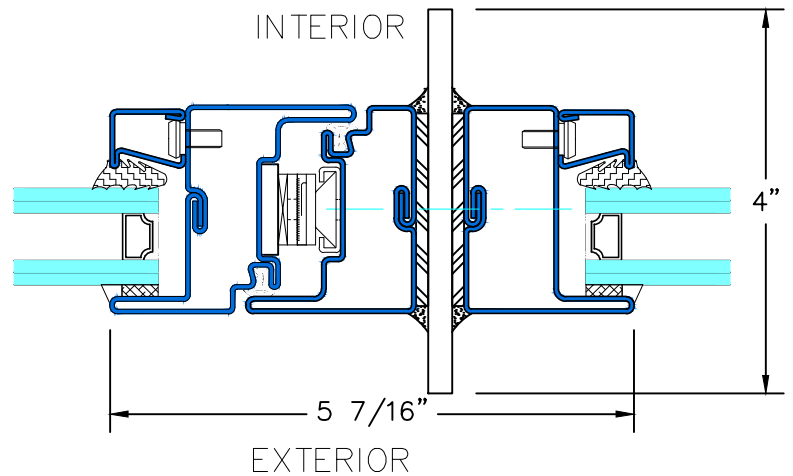
M TYPICAL HEAD
W/ TRANSOM



N TYPICAL JAMB
W/ SIDELITE



P TYPICAL STACKING
MULLION



R TYPICAL JOINING
MULLION

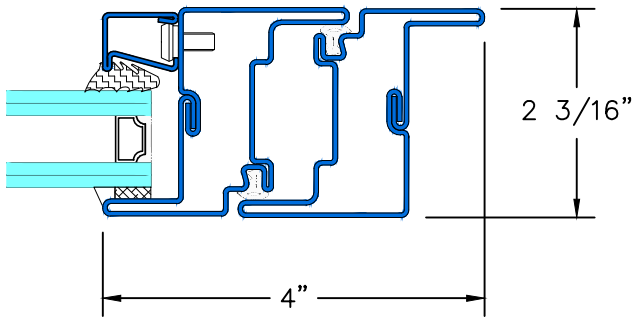


Typical Details

PROJECT IN / FIXED
Scale: Half Scale

OPTIONAL FLANGE FRAME

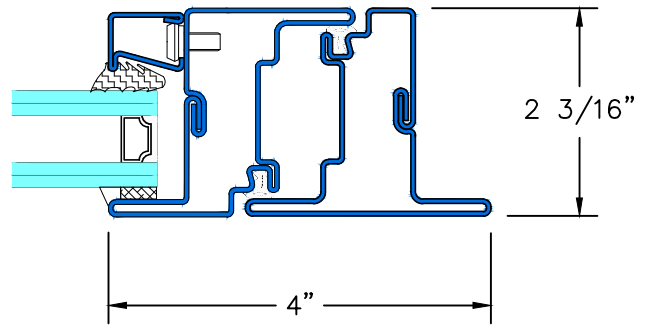
INTERIOR



EXTERIOR

1 TYPICAL JAMB
INTERIOR FLANGE

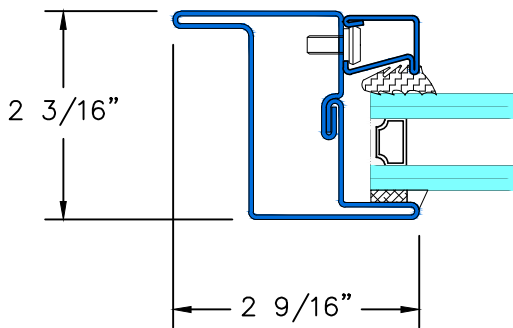
INTERIOR



EXTERIOR

2 TYPICAL JAMB
EXTERIOR FLANGE

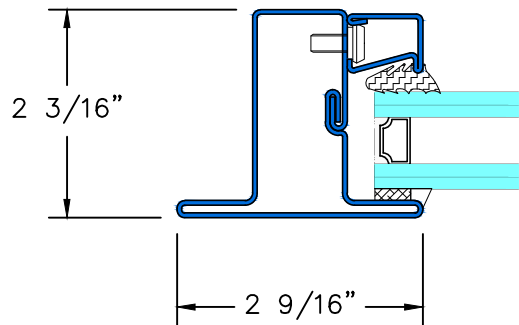
INTERIOR



EXTERIOR

3 TYPICAL FIXED
INTERIOR FLANGE

INTERIOR



EXTERIOR

3 TYPICAL FIXED
EXTERIOR FLANGE

