

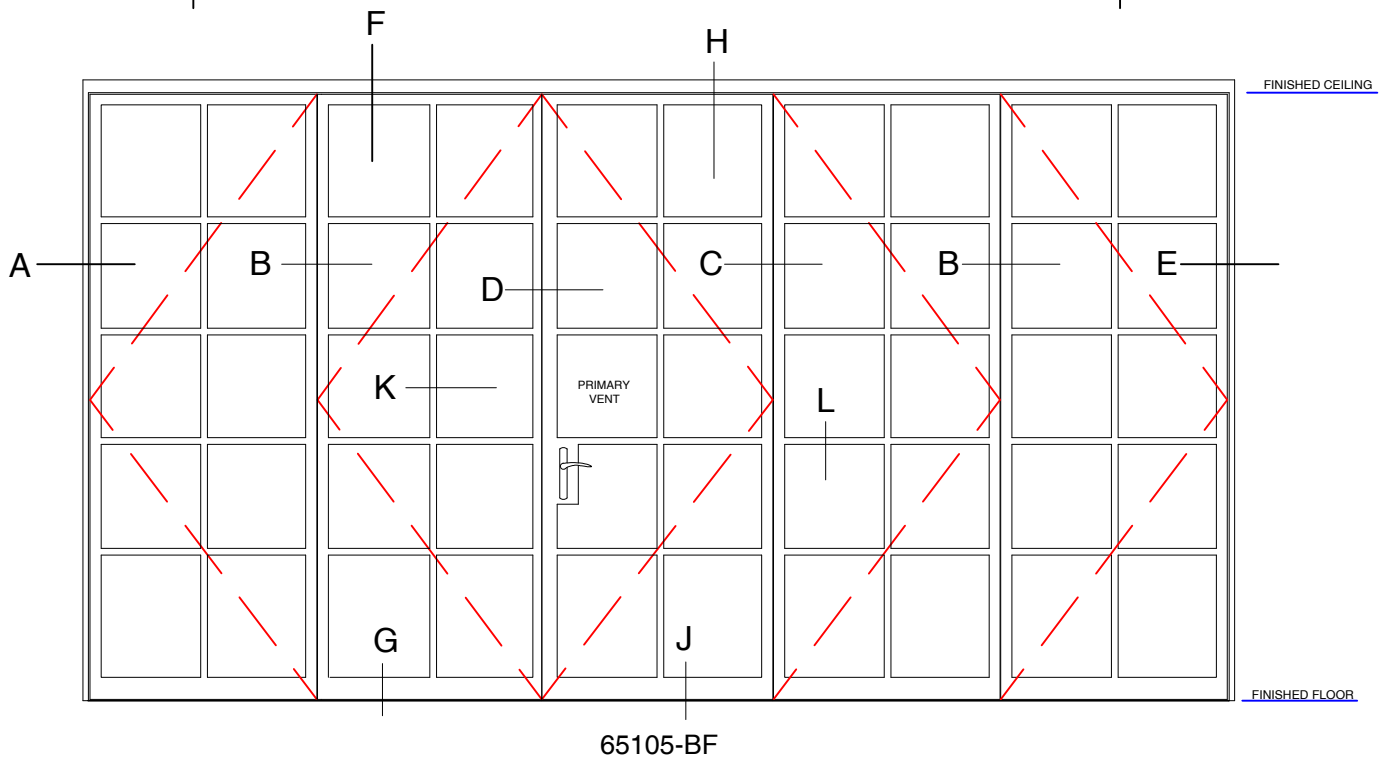
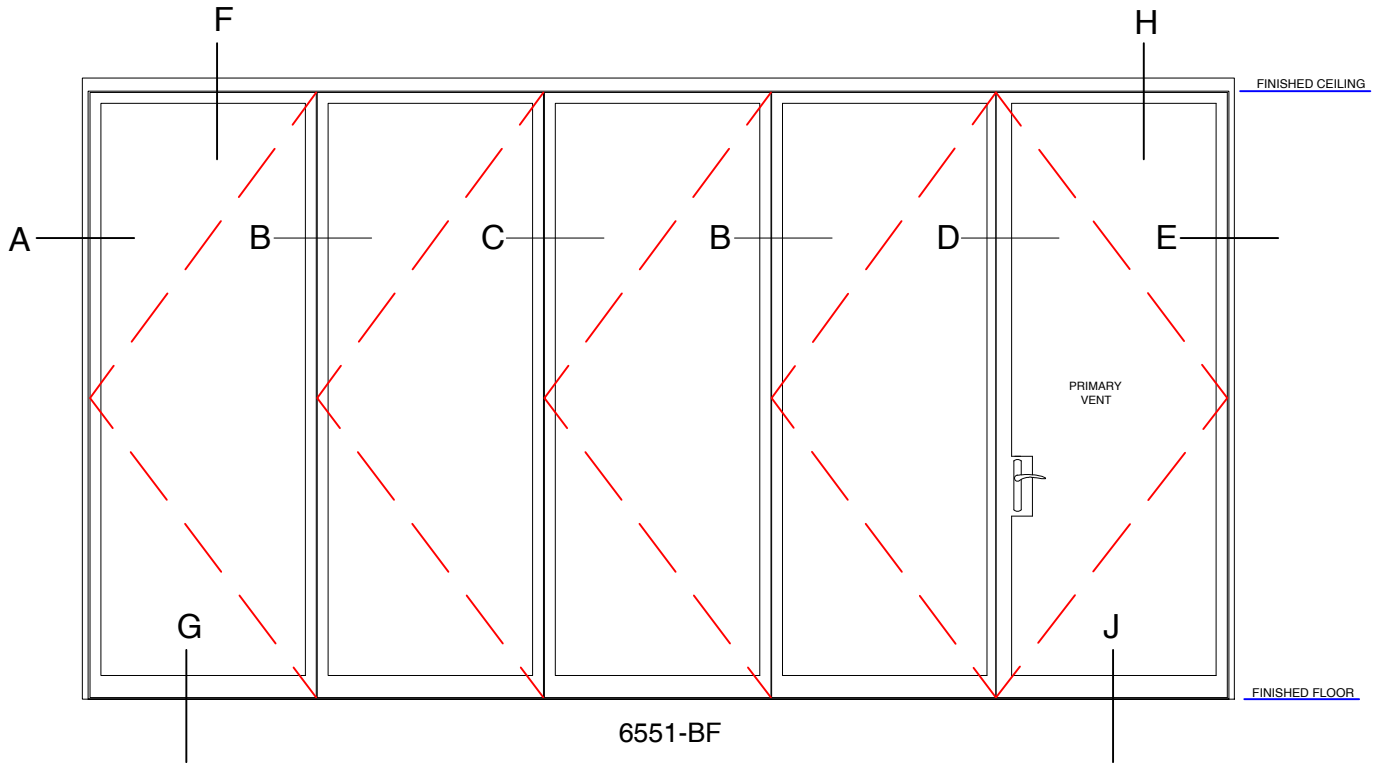
## Typical Exterior Elevations

# 6500-BF<sub>SERIES</sub>

**BI-FOLD DOOR**  
Scale: Not To Scale

Thermally Broken  
Cold Rolled Steel  
Up To 1" Insulated Glass

**PAGE 1 OF 7**



## Typical Details

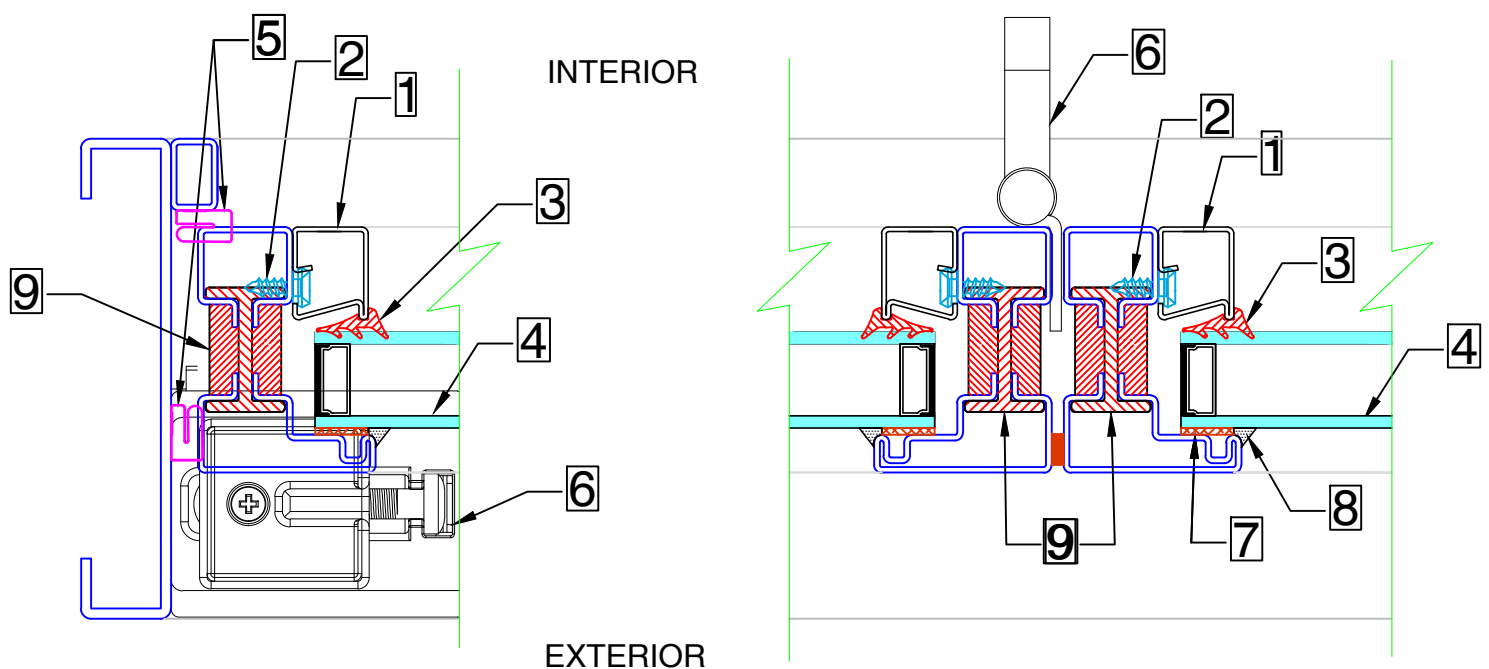
**BI-FOLD DOOR**  
Scale: Half Scale

Thermally Broken  
Cold Rolled Steel  
Up To 1" Insulated Glass

**PAGE 2 OF 7**

## KEY (TYPICAL)

1. SNAP IN STEEL GLAZING BEAD
2. SNAP FASTENER
3. WEDGE GASKET
4. GLASS AND GLAZING (BY OTHERS)
5. WEATHER STRIPPING (EXTRUDED EPM)
6. BI-FOLD DOOR HARDWARE
7. GLAZING TAPE (BY OTHERS)
8. SILICONE CAP BEAD (BY OTHERS)
9. THERMAL BREAK

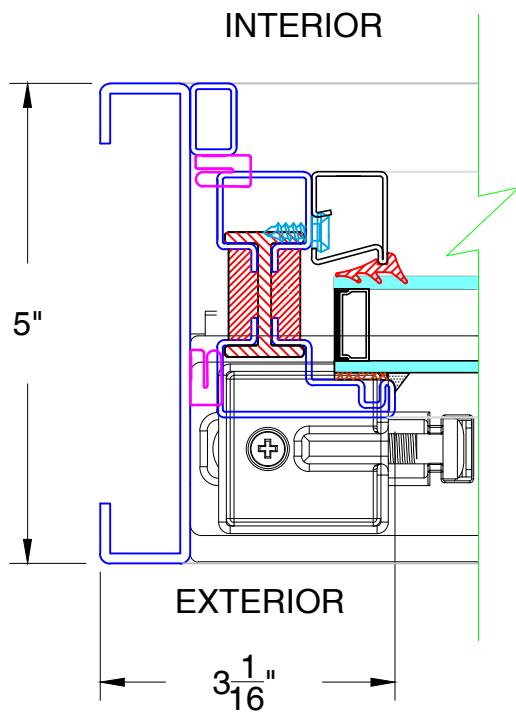


## Typical Details

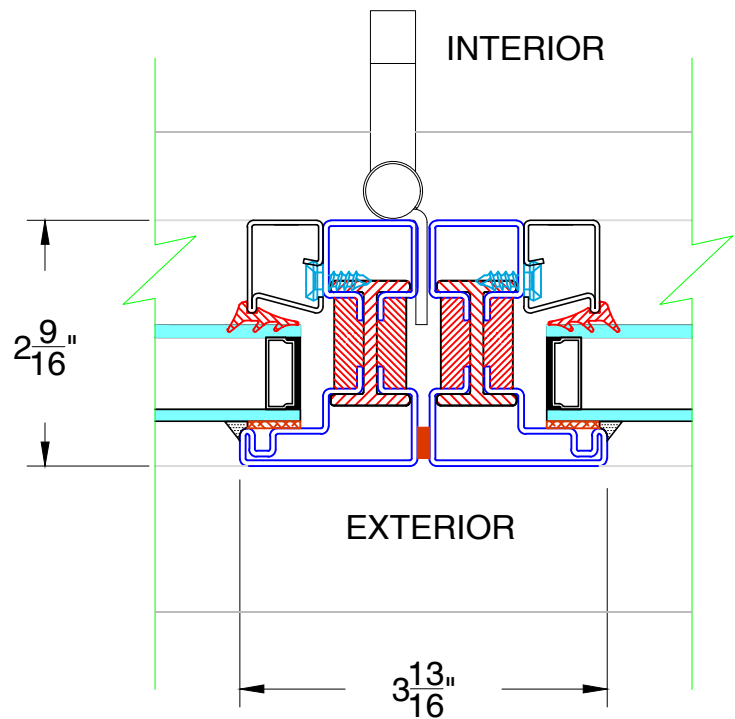
**BI-FOLD DOOR**  
Scale: Half Scale

Thermally Broken  
Cold Rolled Steel  
Up To 1" Insulated Glass

**PAGE 3 OF 7**



**A** TYPICAL JAMB



**B** TYPICAL MEETING RAIL WITH PULL HANDLE

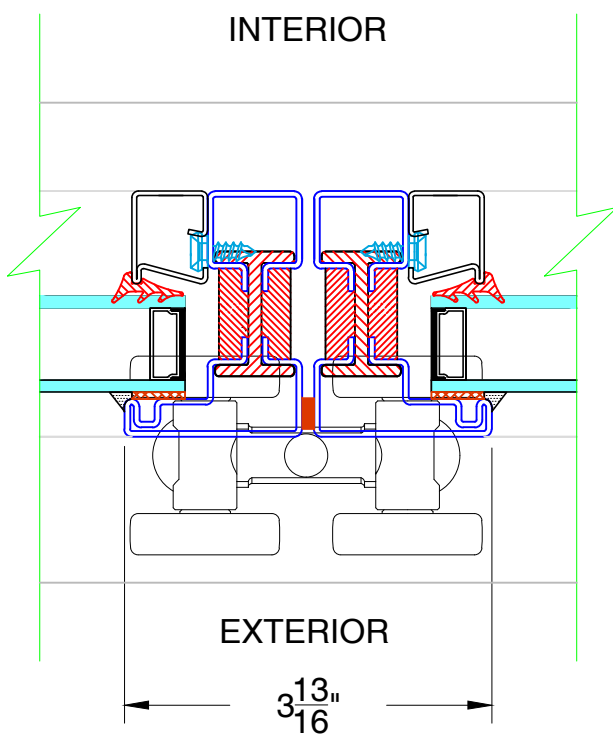


## Typical Details

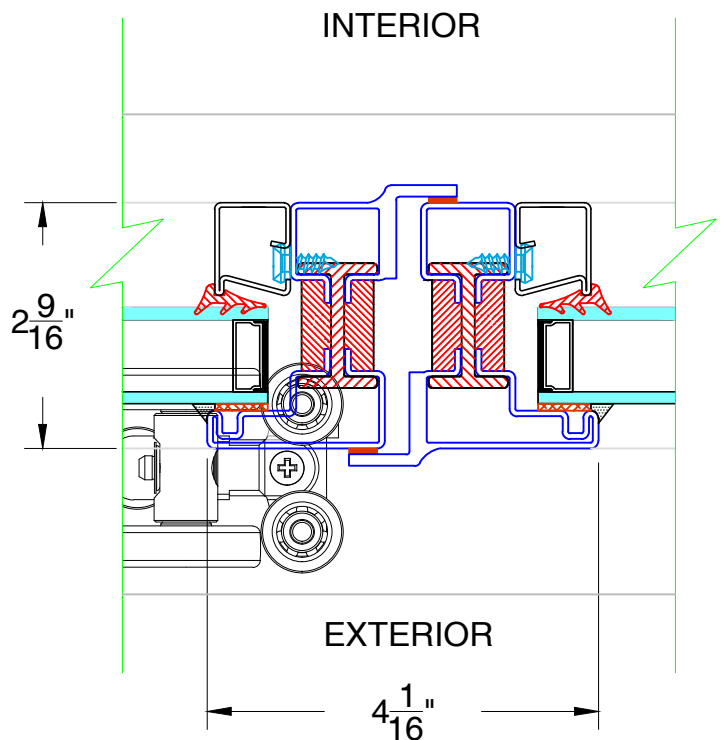
**BI-FOLD DOOR**  
Scale: Half Scale

Thermally Broken  
Cold Rolled Steel  
Up To 1" Insulated Glass

**PAGE 4 OF 7**



**C** TYPICAL MEETING RAIL



**D** TYPICAL FRENCH MEETING RAIL

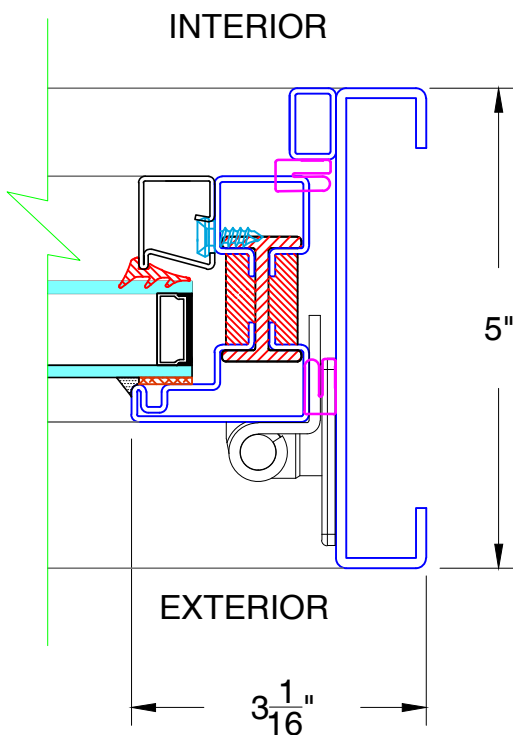


## Typical Details

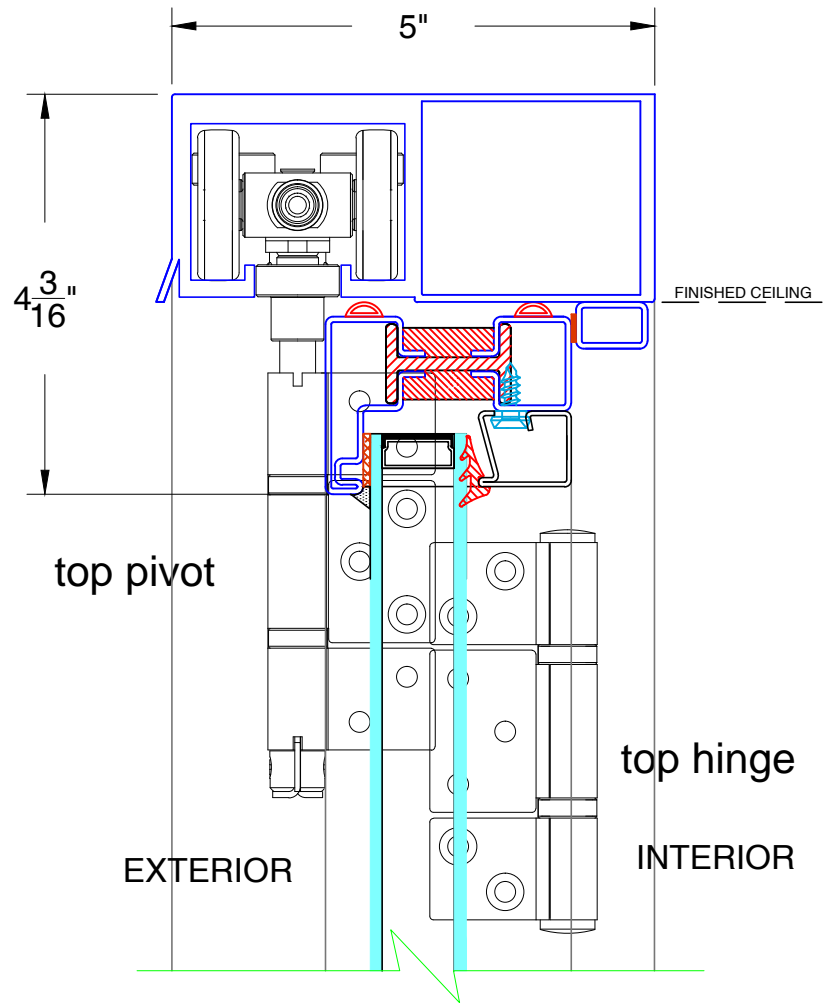
**BI-FOLD DOOR**  
Scale: Half Scale

Thermally Broken  
Cold Rolled Steel  
Up To 1" Insulated Glass

**PAGE 5 OF 7**



**E** TYPICAL JAMB  
FOR SWING PANEL



**F** TYPICAL HEADER  
@ BI-FOLD

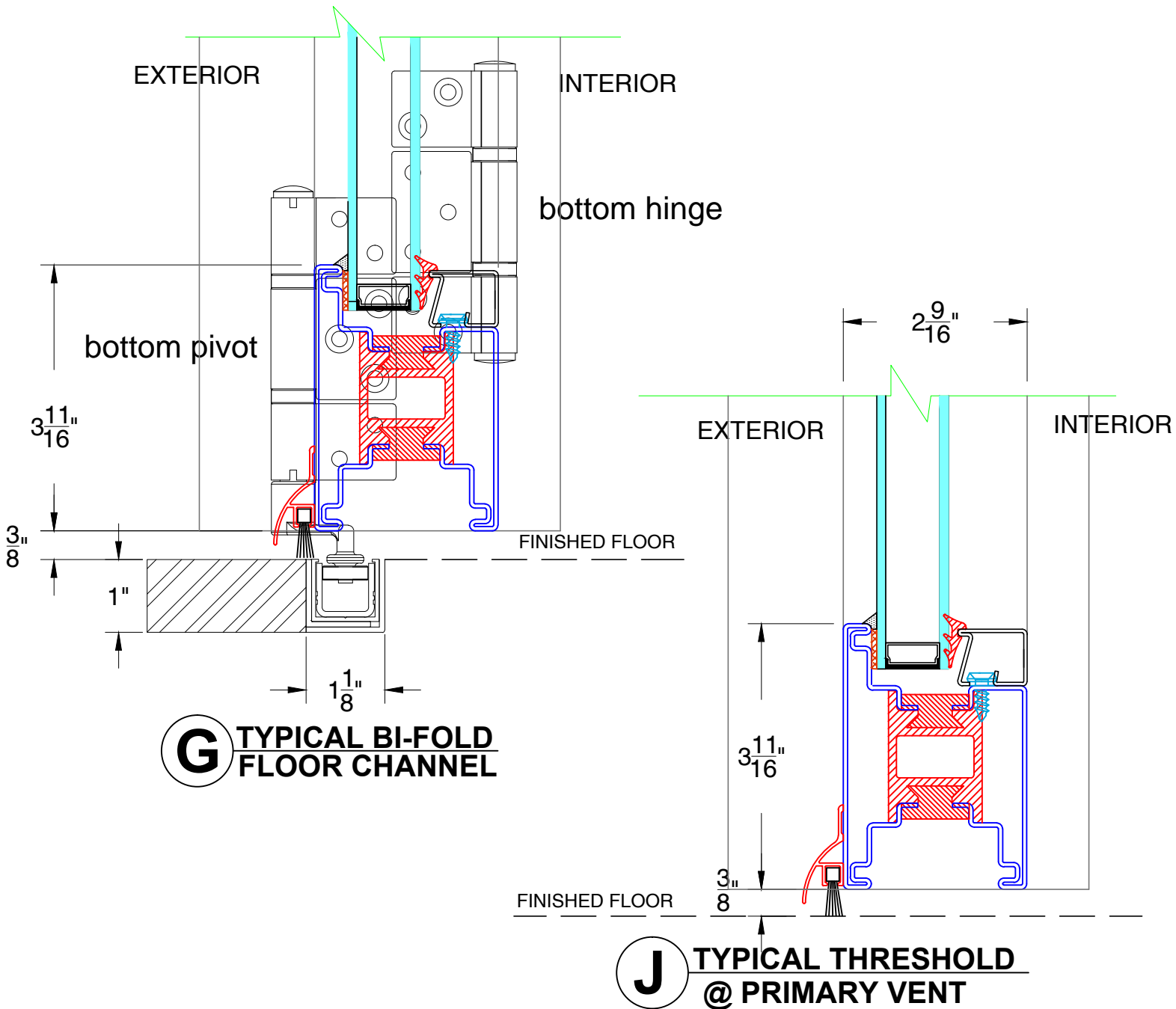


## Typical Details

**BI-FOLD DOOR**  
Scale: Half Scale

Thermally Broken  
Cold Rolled Steel  
Up To 1" Insulated Glass

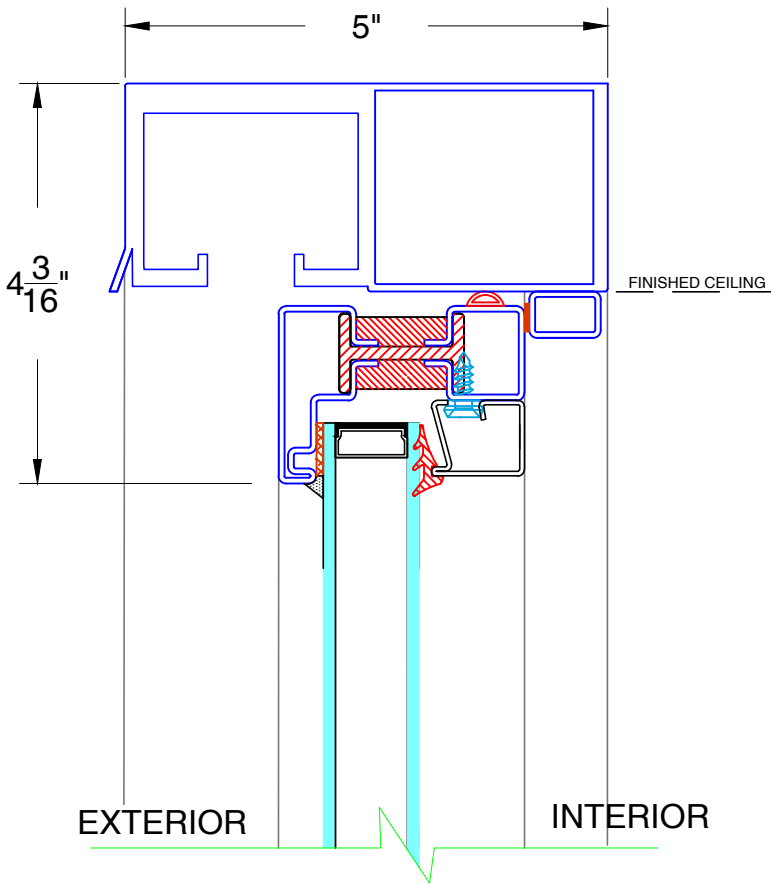
**PAGE 6 OF 7**



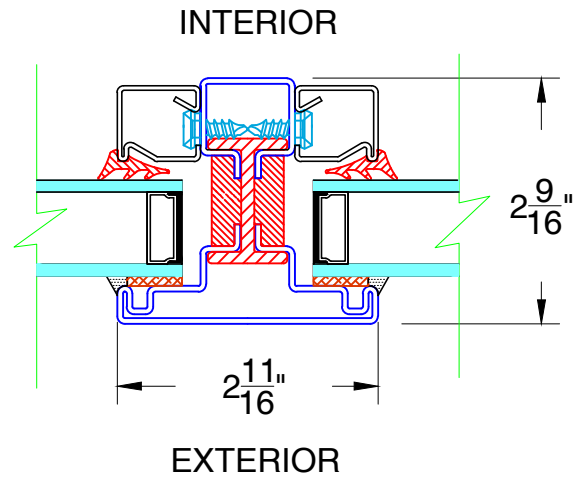
## Typical Details

BI-FOLD DOOR  
Scale: Half Scale

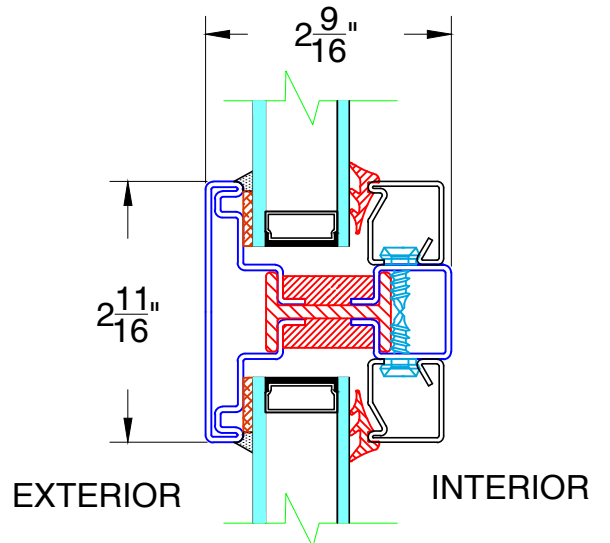
Thermally Broken  
Cold Rolled Steel  
Up To 1" Insulated Glass



**H** TYPICAL HEADER  
@ PRIMARY VENT



**K** TYPICAL  
VERTICAL MUNTIN



**L** TYPICAL  
HORIZONTAL MUNTIN

