

FLEX

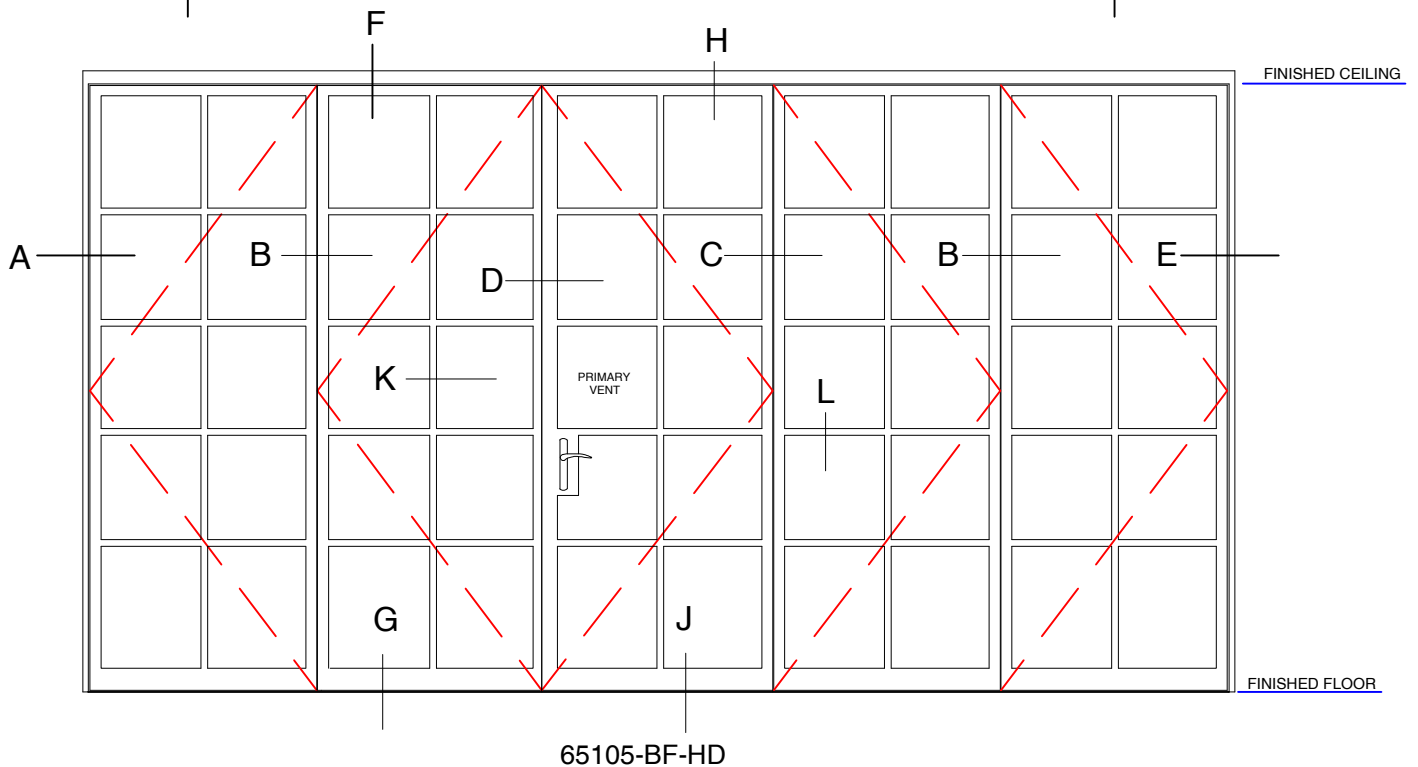
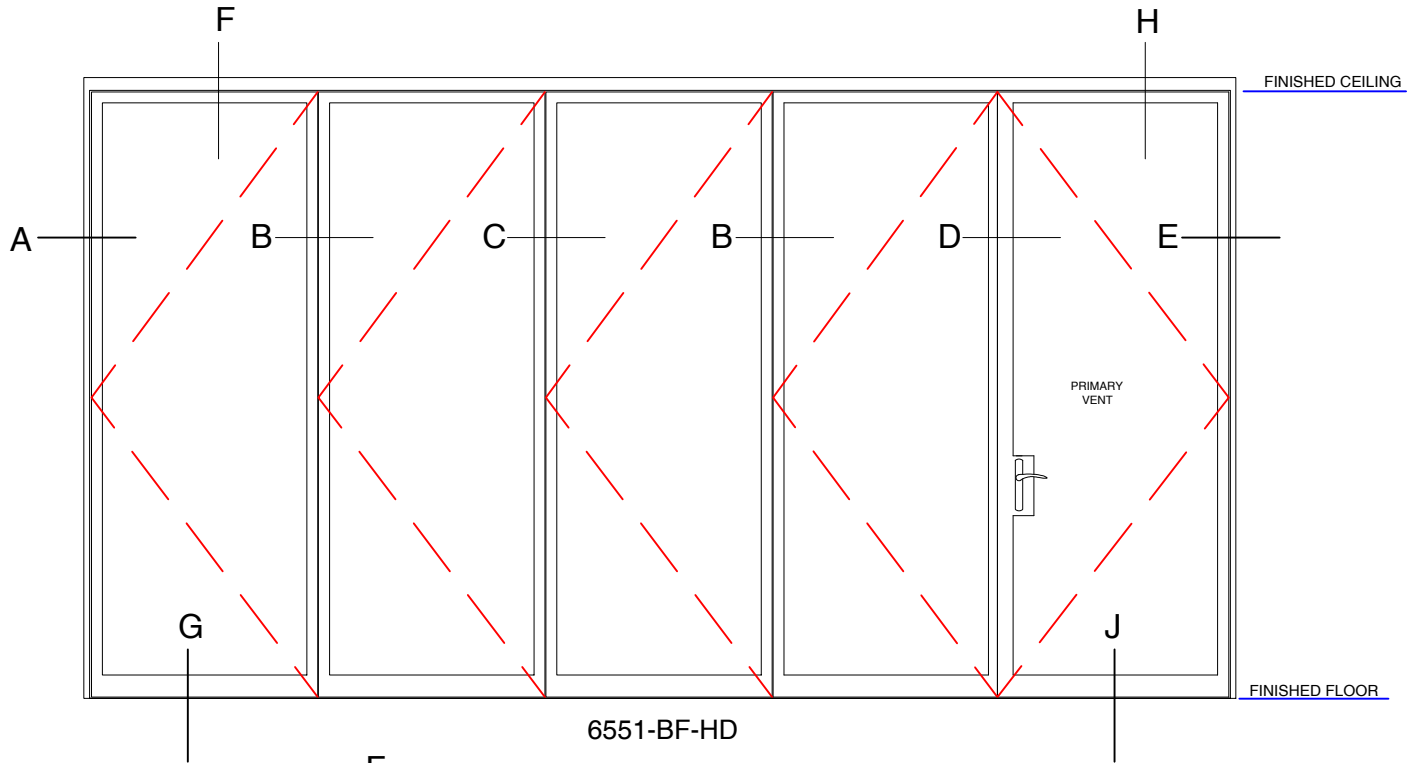
6500-BF-HD SERIES

Typical Exterior Elevations

HEAVY DUTY BI-FOLD DOOR
Scale: Not To Scale

Thermally Broken
Cold Rolled Steel
Up To 1" Insulated Glass

PAGE 1 OF 8



28 Canal Street, Ellenville, NY 12428
Phone (845) 647-1900

Typical Details

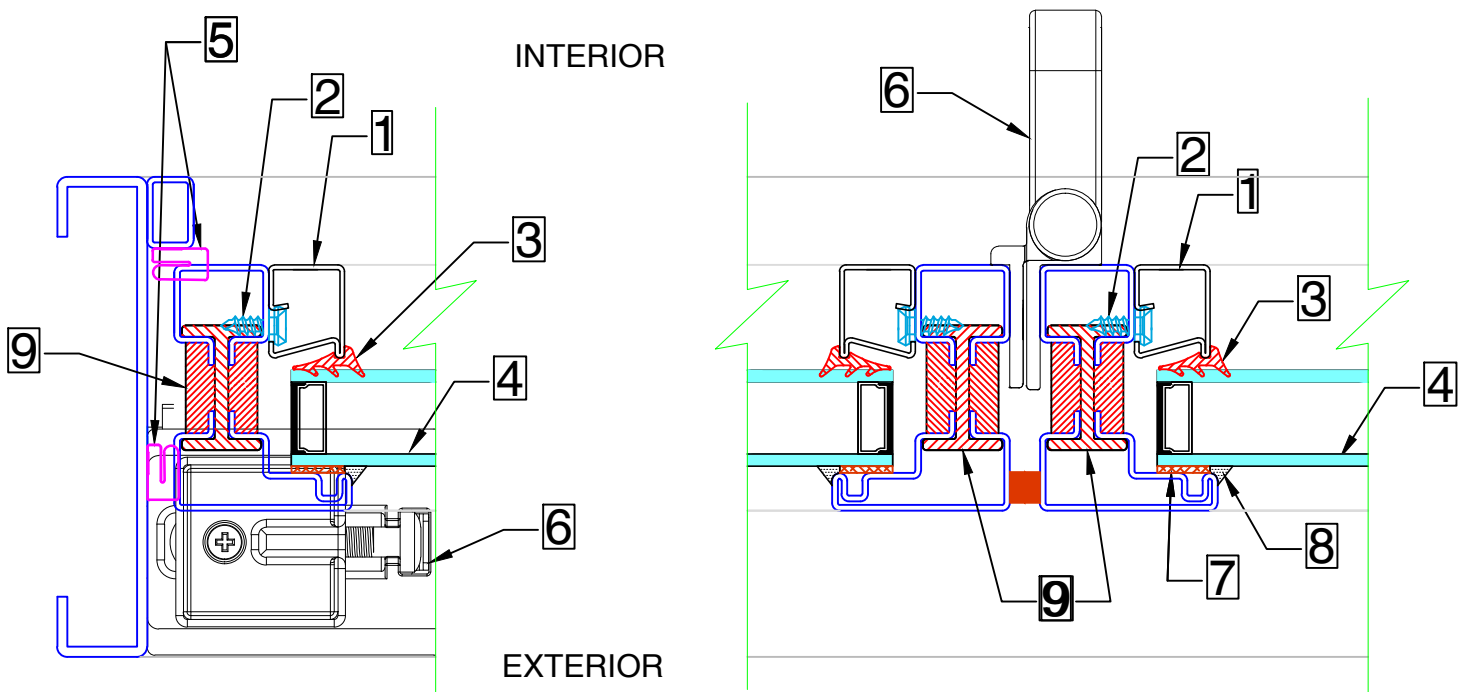
HEAVY DUTY BI-FOLD DOOR
Scale: Half Scale

Thermally Broken
Cold Rolled Steel
Up To 1" Insulated Glass

PAGE 2 OF 8

KEY (TYPICAL)

1. SNAP IN STEEL GLAZING BEAD
2. SNAP FASTENER
3. WEDGE GASKET
4. GLASS AND GLAZING (BY OTHERS)
5. WEATHER STRIPPING (EXTRUDED EPM)
6. BI-FOLD DOOR HARDWARE
7. GLAZING TAPE (BY OTHERS)
8. SILICONE CAP BEAD (BY OTHERS)
9. THERMAL BREAK



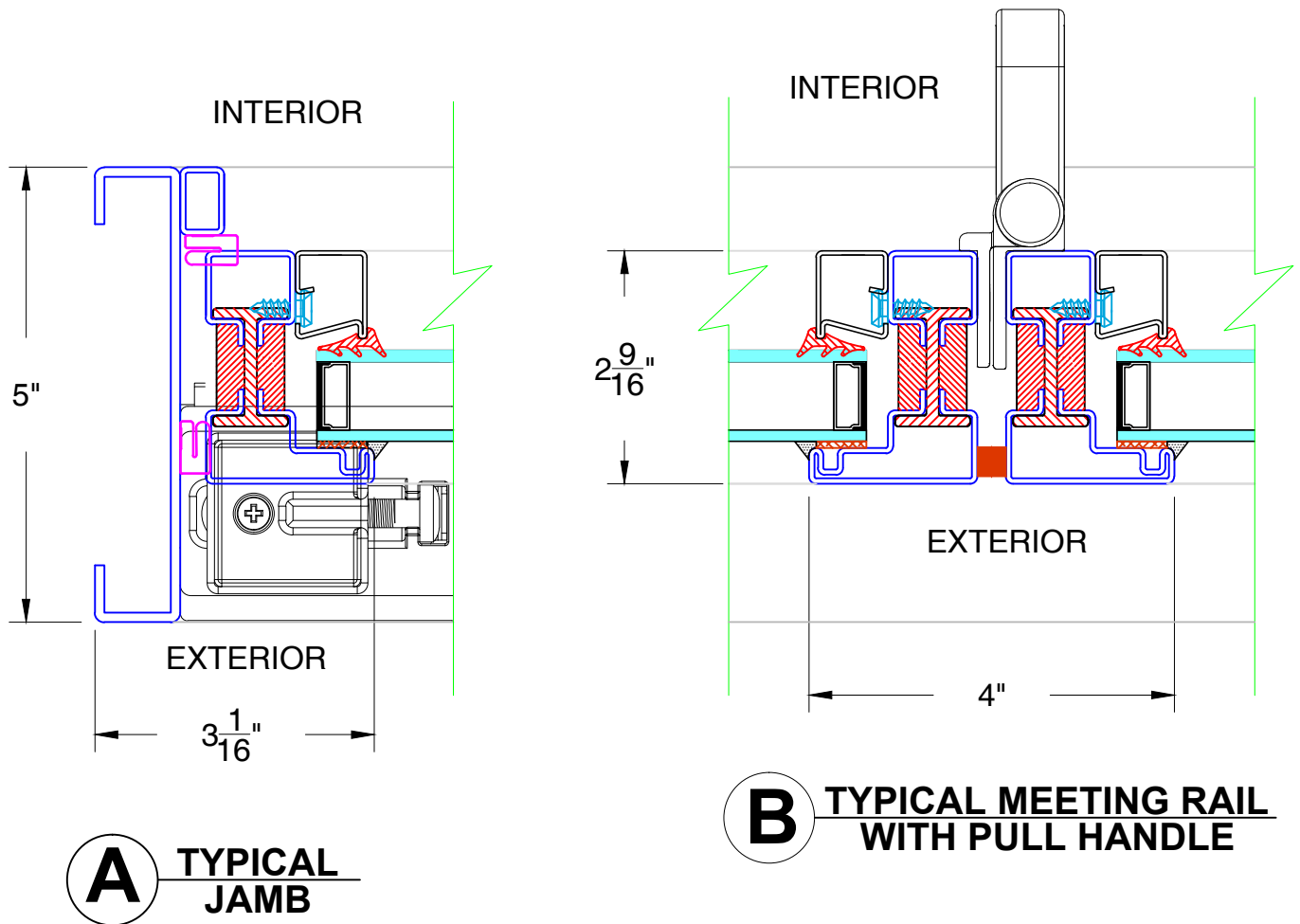
FLEX 6500-BF-HD SERIES

Typical Details

HEAVY DUTY BI-FOLD DOOR
Scale: Half Scale

Thermally Broken
Cold Rolled Steel
Up To 1" Insulated Glass

PAGE 3 OF 8



28 Canal Street, Ellenville, NY 12428
Phone (845) 647-1900

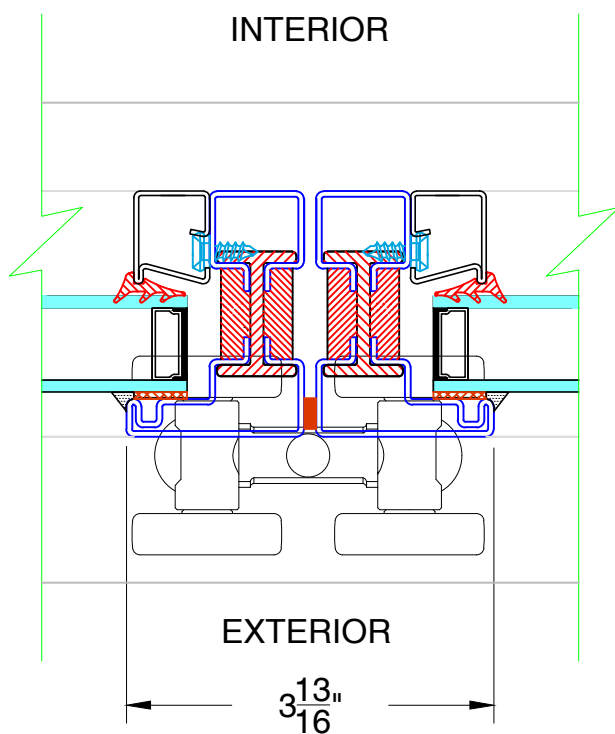
FLEX 6500-BF-HD SERIES

Typical Details

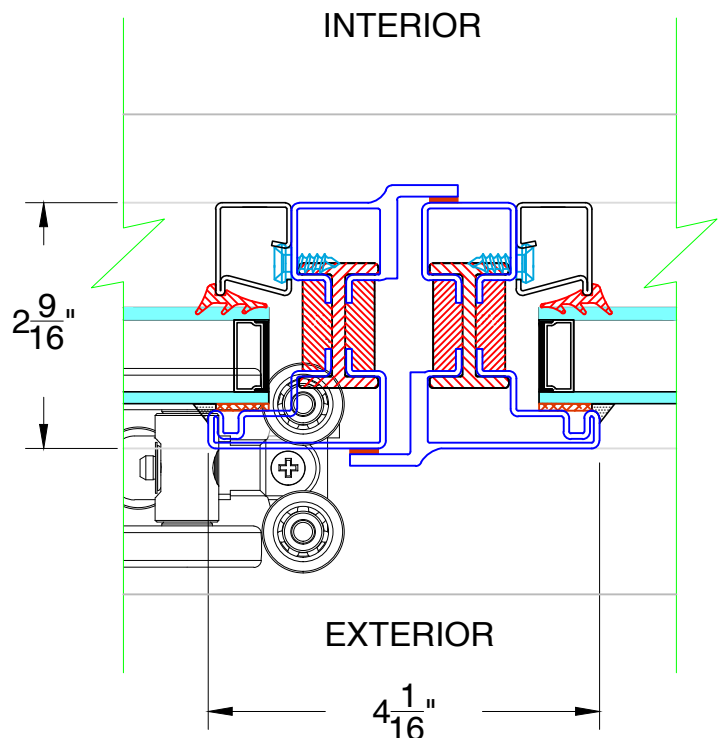
HEAVY DUTY BI-FOLD DOOR
Scale: Half Scale

Thermally Broken
Cold Rolled Steel
Up To 1" Insulated Glass

PAGE 4 OF 8



C TYPICAL MEETING RAIL



D TYPICAL FRENCH MEETING RAIL



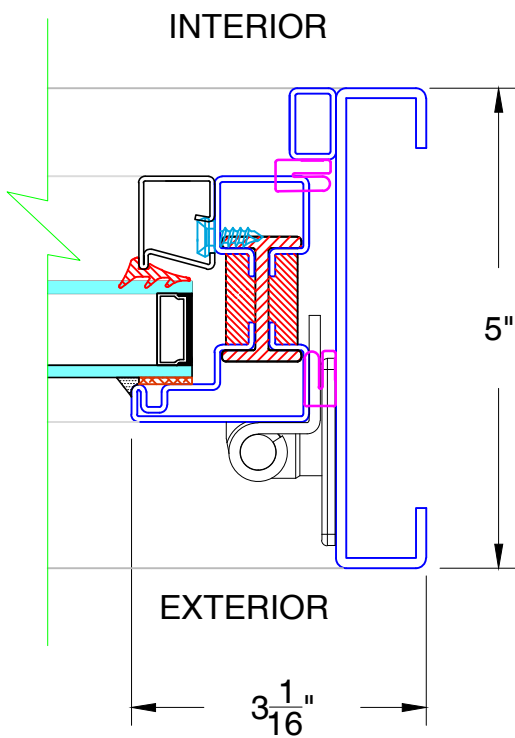
FLEX 6500-BF-HD SERIES

Typical Details

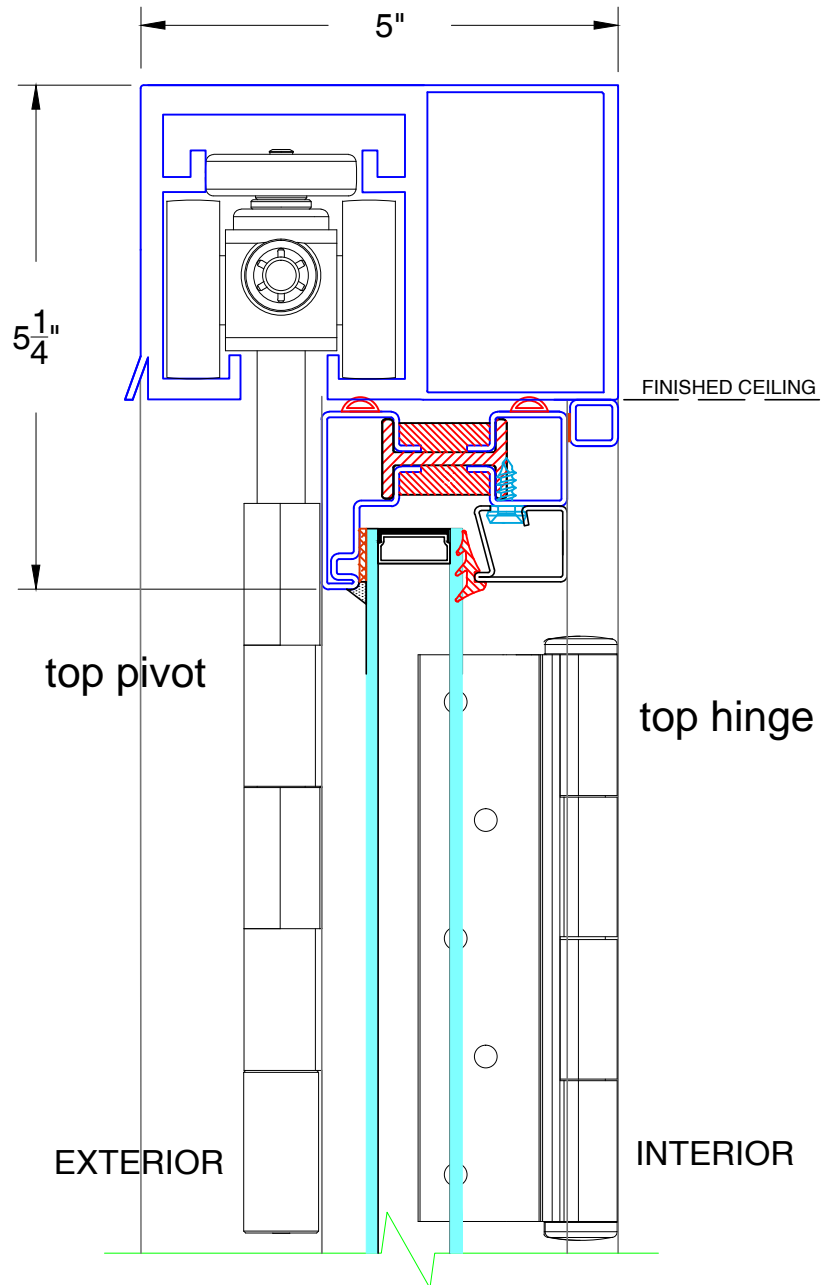
HEAVY DUTY BI-FOLD DOOR
Scale: Half Scale

Thermally Broken
Cold Rolled Steel
Up To 1" Insulated Glass

PAGE 5 OF 8



E TYPICAL JAMB
FOR SWING PANEL



F TYPICAL HEADER
@ BI-FOLD



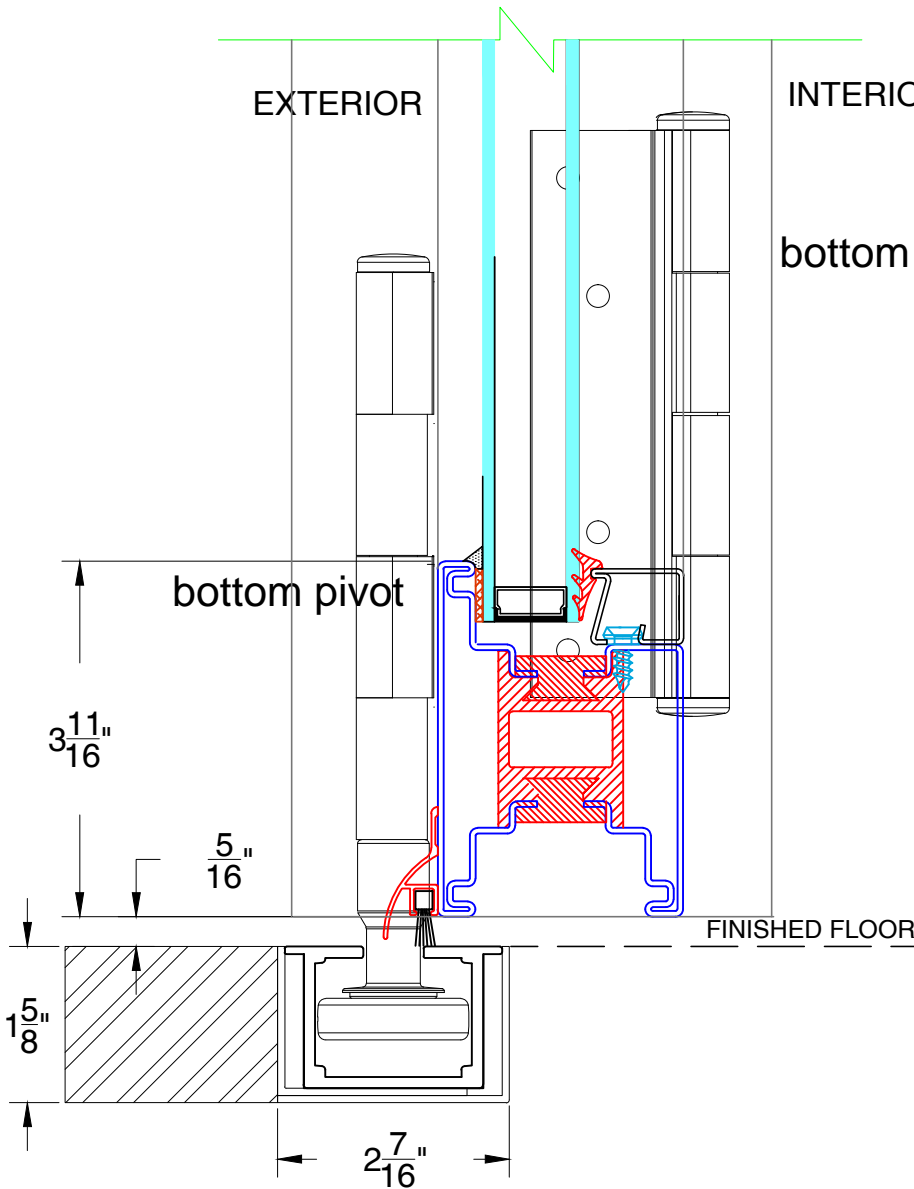
FLEX 6500-BF-HD SERIES

Typical Details

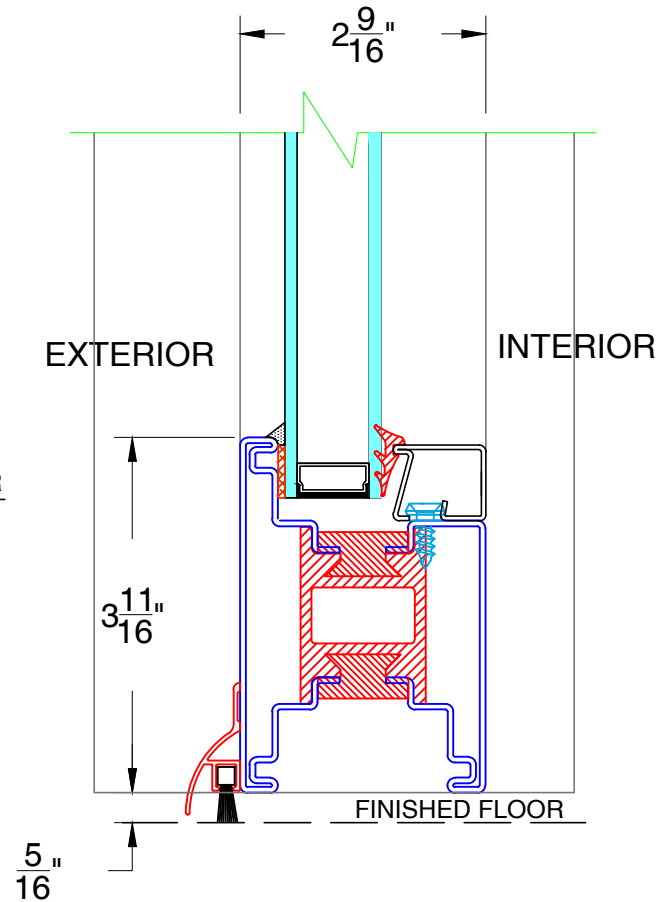
HEAVY DUTY BI-FOLD DOOR
Scale: Half Scale

Thermally Broken
Cold Rolled Steel
Up To 1" Insulated Glass

PAGE 6 OF 8



G TYPICAL BI-FOLD FLOOR CHANNEL



J TYPICAL THRESHOLD PRIMARY VENT



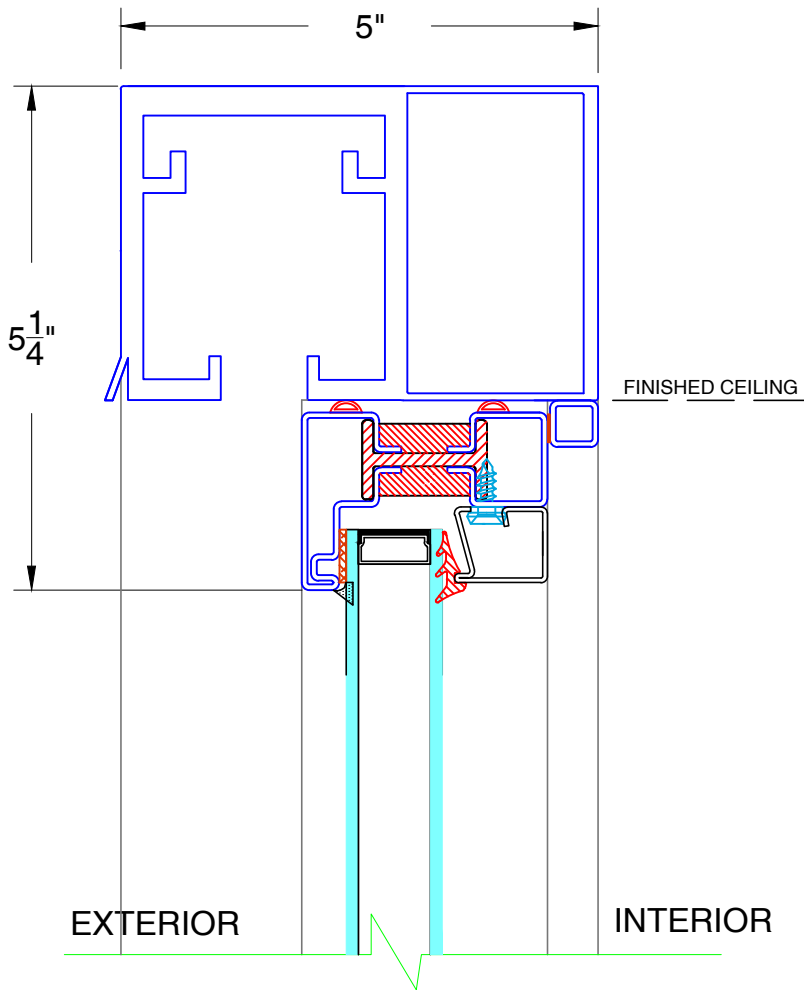
FLEX 6500-BF-HD SERIES

Typical Details

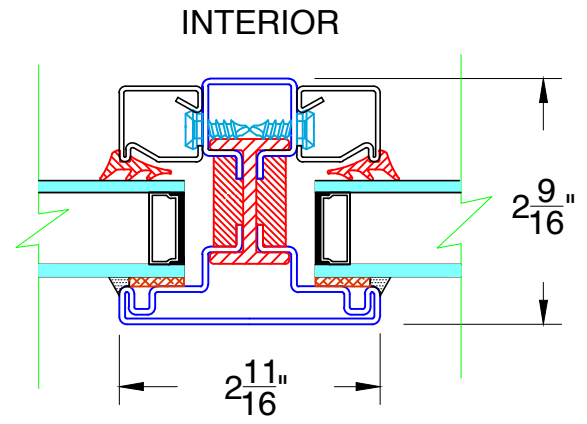
HEAVY DUTY BI-FOLD DOOR
Scale: Half Scale

Thermally Broken
Cold Rolled Steel
Up To 1" Insulated Glass

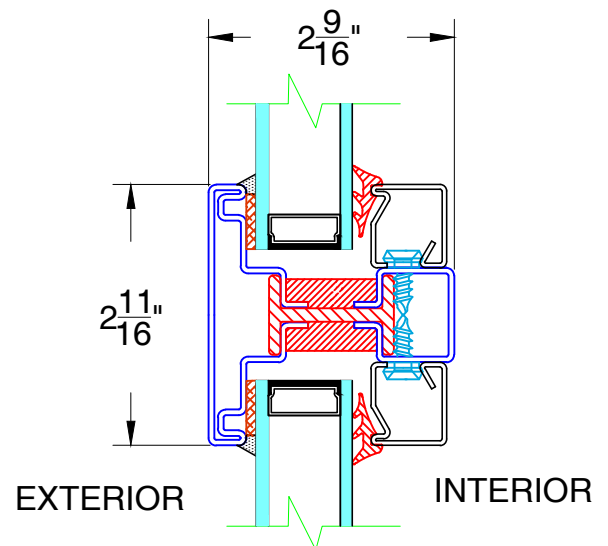
PAGE 7 OF 8



H TYPICAL HEADER
@ PRIMARY VENT



K TYPICAL
VERTICAL MUNTIN



L TYPICAL
HORIZONTAL MUNTIN



FLEX 6500-BF-HD SERIES

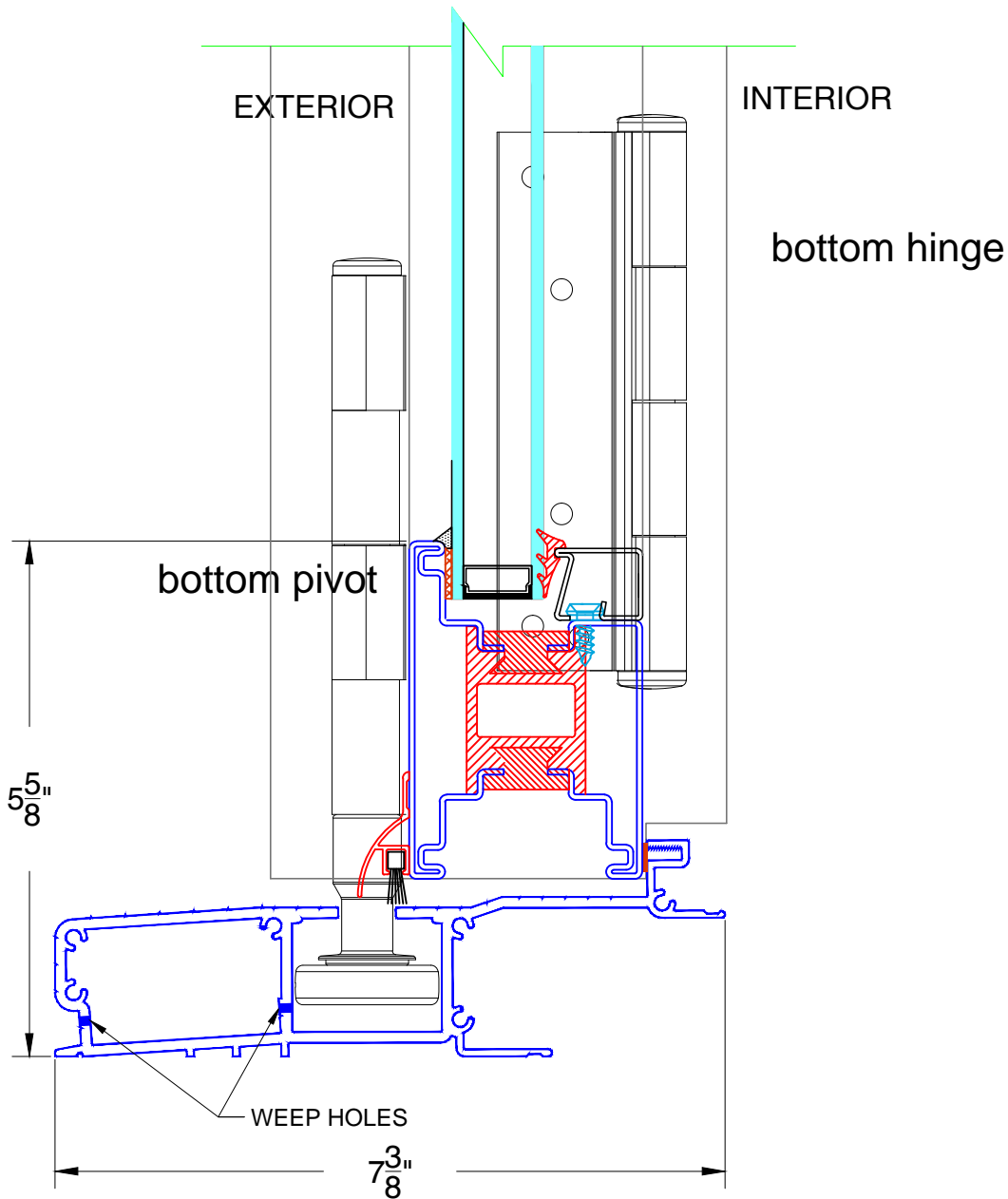
Typical Details

HEAVY DUTY BI-FOLD DOOR
Scale: Half Scale

Thermally Broken
Cold Rolled Steel
Up To 1" Insulated Glass

PAGE 8 OF 8

OPTIONAL TRACK



1 OPTIONAL BIFOLD SILL SYSTEM



28 Canal Street, Ellenville, NY 12428
Phone (845) 647-1900