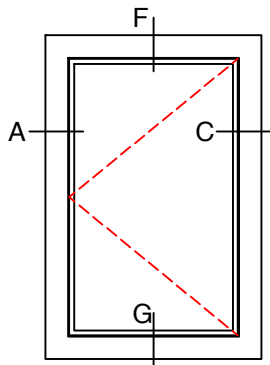


Typical Exterior Elevations

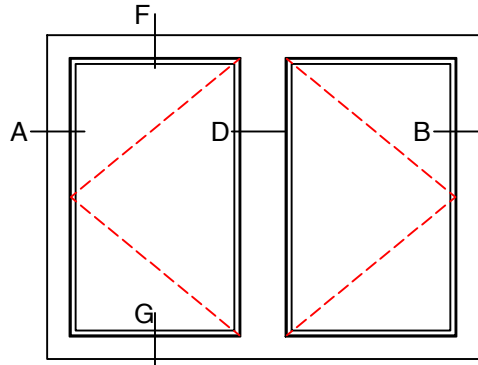
6500-IC SERIES

INSWING CASEMENT / FIXED
Scale: Not To Scale

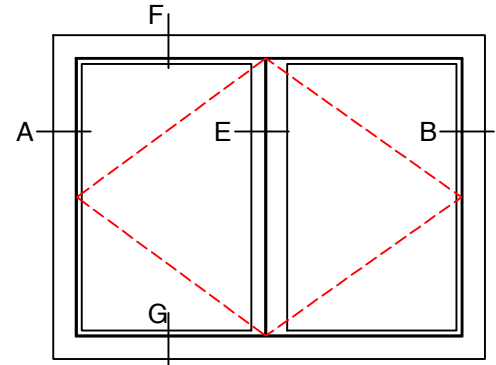
Thermally Broken
Cold Rolled Steel
Up To 1" Insulated Glass



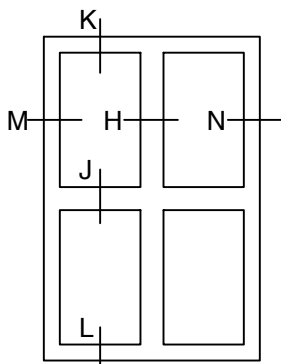
6511-IC



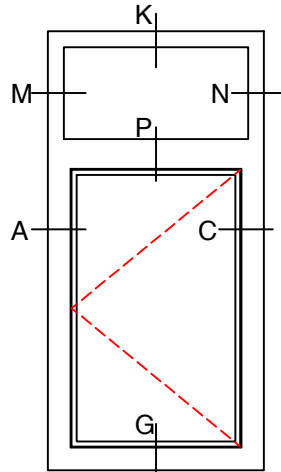
6521-DB-IC



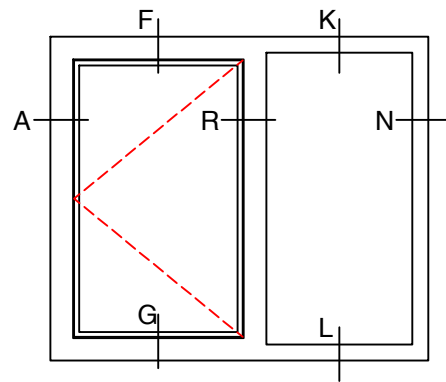
6521-FR-IC



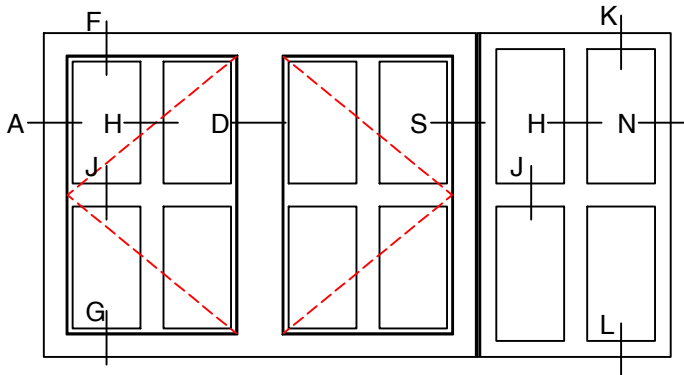
6522-FX



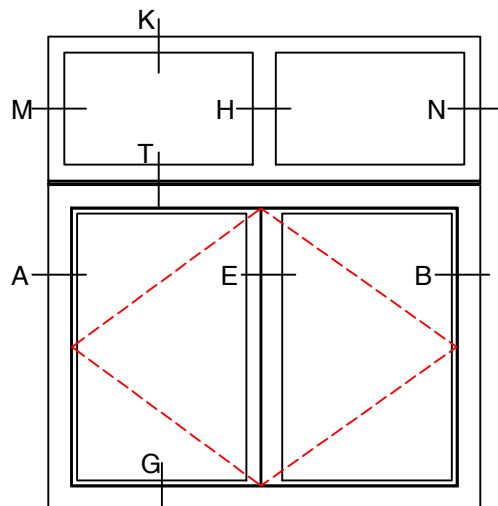
6512-IC-FX



6521-IC-FX



6562-DB-IC-FX



6522-FR-IC-FX



Typical Details

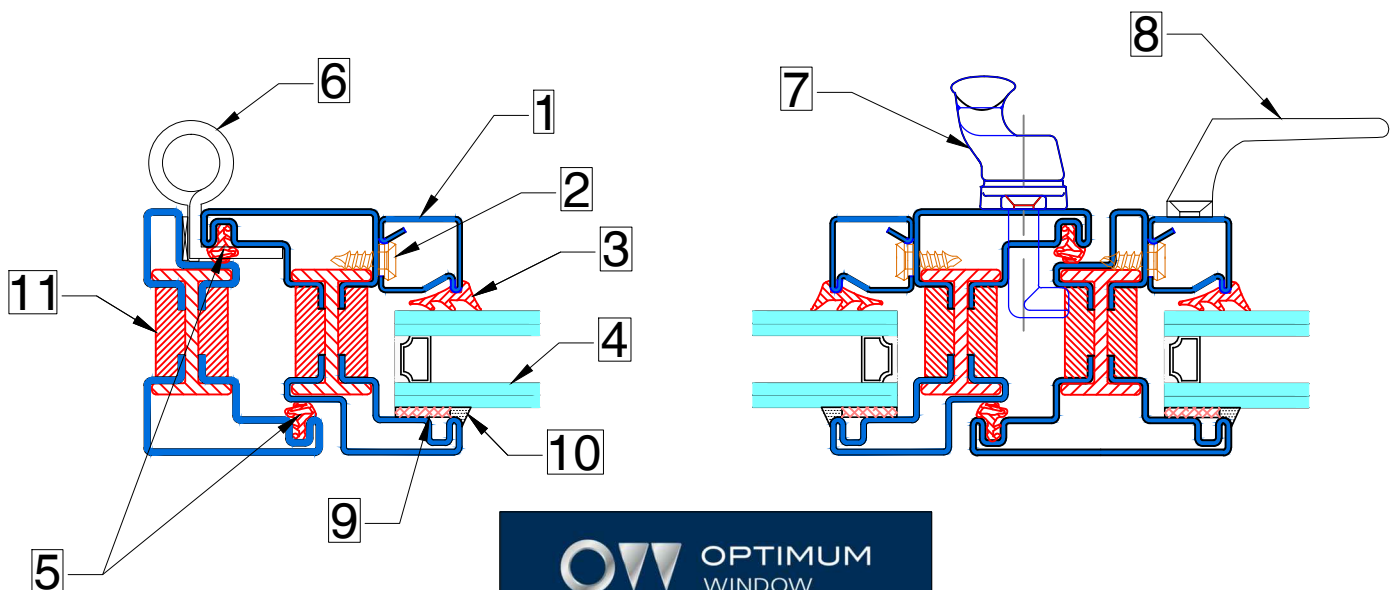
INSWING CASEMENT / FIXED
Scale: Half Scale

Thermally Broken
Cold Rolled Steel
Up To 1" Insulated Glass

PAGE 2 OF 6

KEY (TYPICAL)

1. SNAP IN STEEL GLAZING BEAD
2. SNAP FASTENER
3. WEDGE GASKET
4. GLASS AND GLAZING (BY OTHERS)
5. WEATHER STRIPPING (EXTRUDED EPM)
6. STEEL HINGE
7. WHITE BRONZE PROJECT IN FASTENER WITH KEEPER
- *NOTE: BRONZE HARDWARE IS OWM'S STANDARD
(OTHER FINISHES AVAILABLE)
8. BRONZE T-PULL (LOCATED 4" BELOW FASTENER)
9. GLAZING TAPE (BY OTHERS)
10. SILICONE CAP BEAD (BY OTHERS)
11. THERMAL BREAK

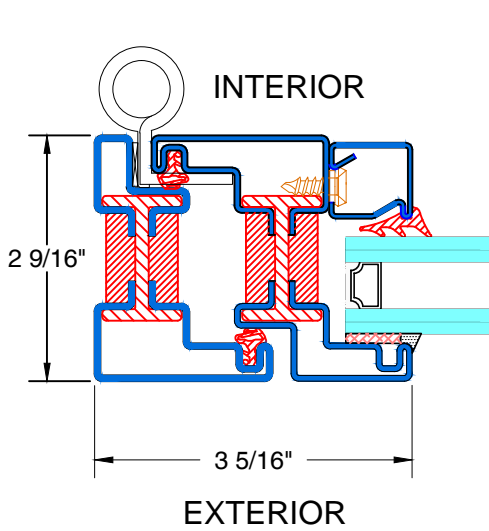


Typical Details

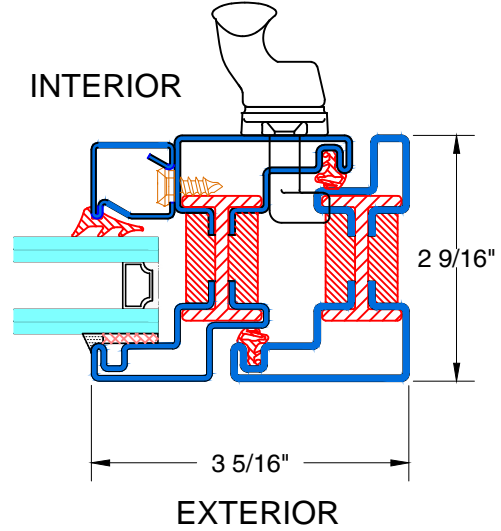
INSWING CASEMENT / FIXED
Scale: Half Scale

Thermally Broken
Cold Rolled Steel
Up To 1" Insulated Glass

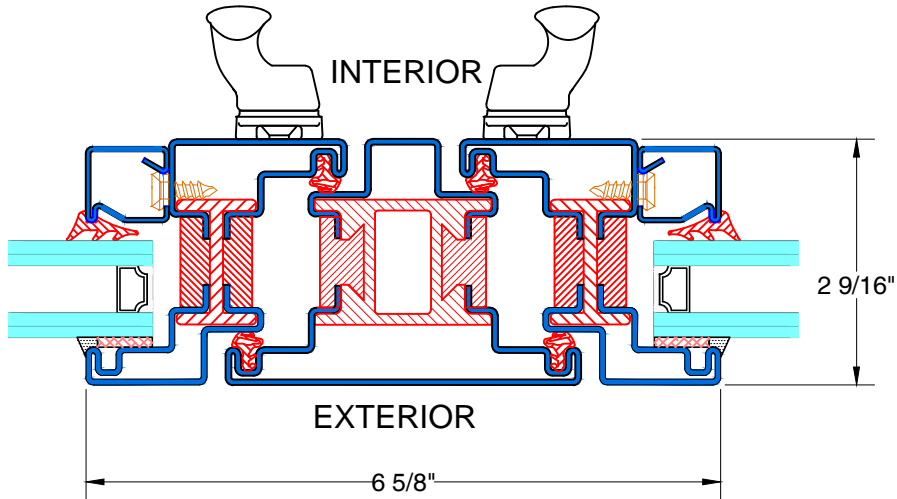
PAGE 3 OF 6



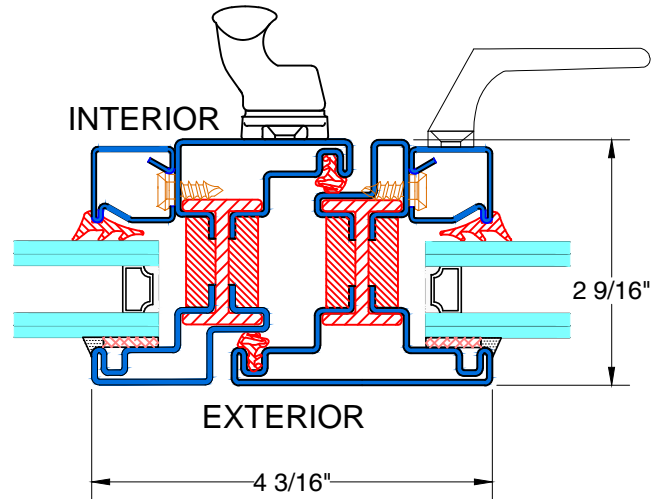
A&B TYPICAL HINGED JAMB



C TYPICAL LOCKING JAMB



D TYPICAL MEETING RAIL



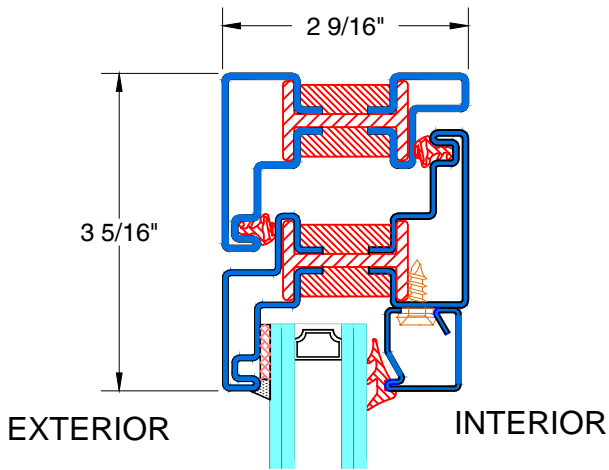
E TYPICAL FRENCH MEETING RAIL



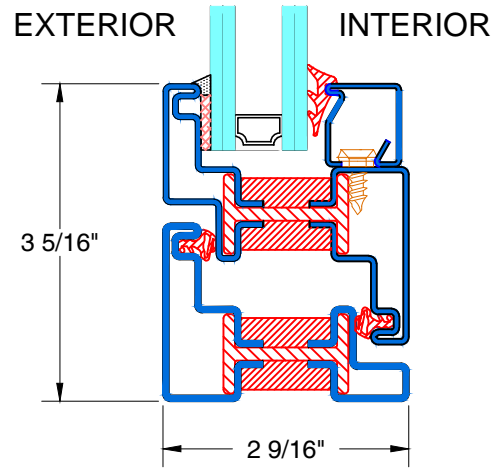
Typical Details

INSWING CASEMENT / FIXED
Scale: Half Scale

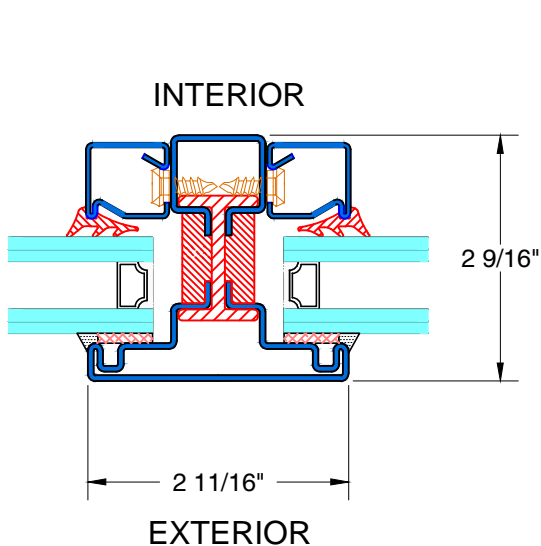
Thermally Broken
Cold Rolled Steel
Up To 1" Insulated Glass



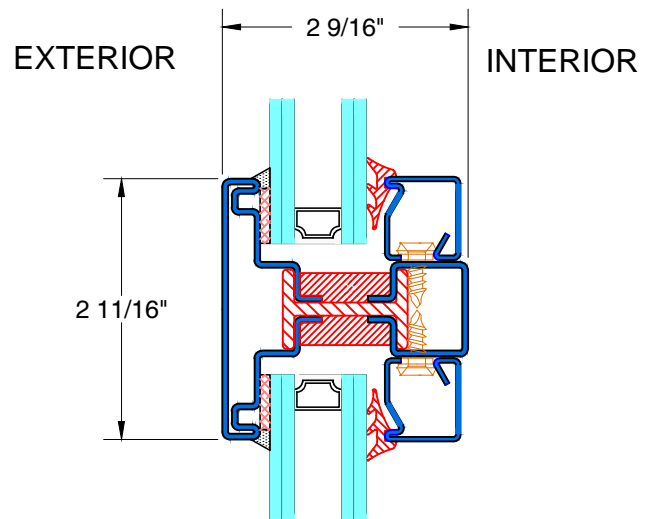
F TYPICAL HEAD



G TYPICAL SILL



H TYPICAL VERTICAL MUNTIN



J TYPICAL HORIZONTAL MUNTIN



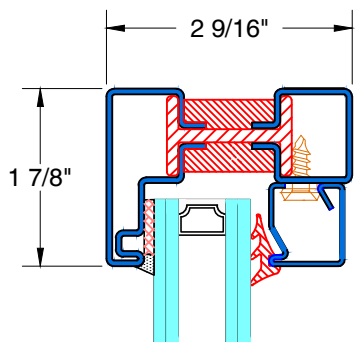
Typical Details

INSWING CASEMENT / FIXED
Scale: Half Scale

Thermally Broken
Cold Rolled Steel
Up To 1" Insulated Glass

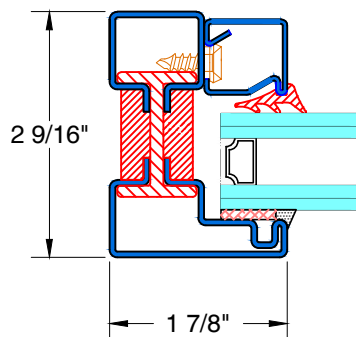
EXTERIOR

INTERIOR



K&L TYPICAL FIXED HEAD & SILL

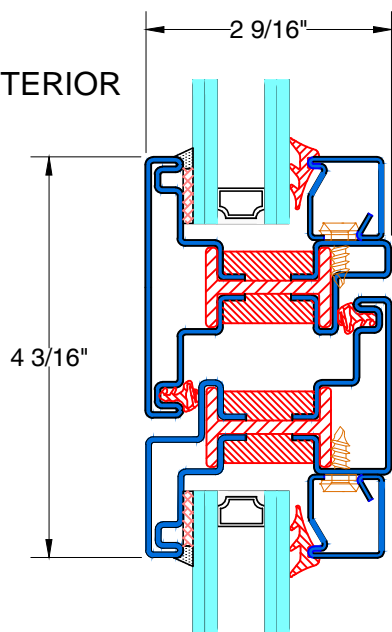
INTERIOR



M&N TYPICAL FIXED JAMB

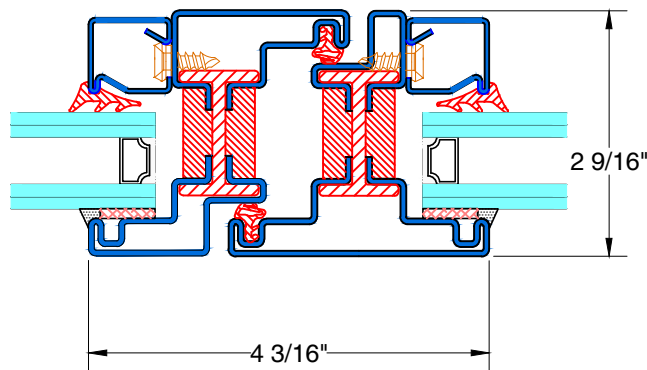
EXTERIOR

INTERIOR



P TYPICAL STACKING TRANSOM

INTERIOR



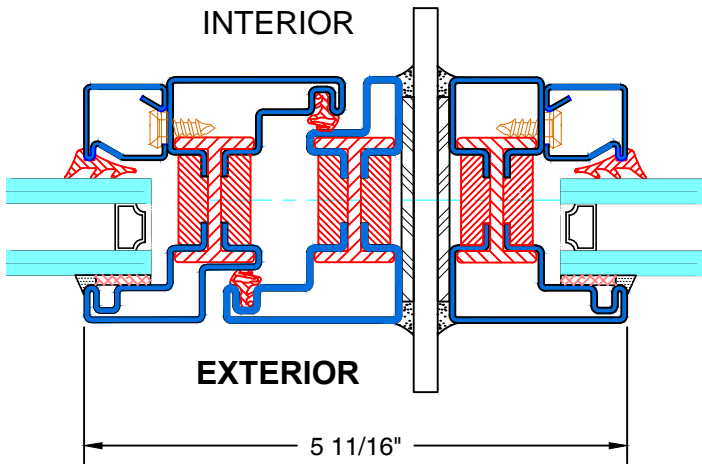
R TYPICAL JOINING SIDELITE



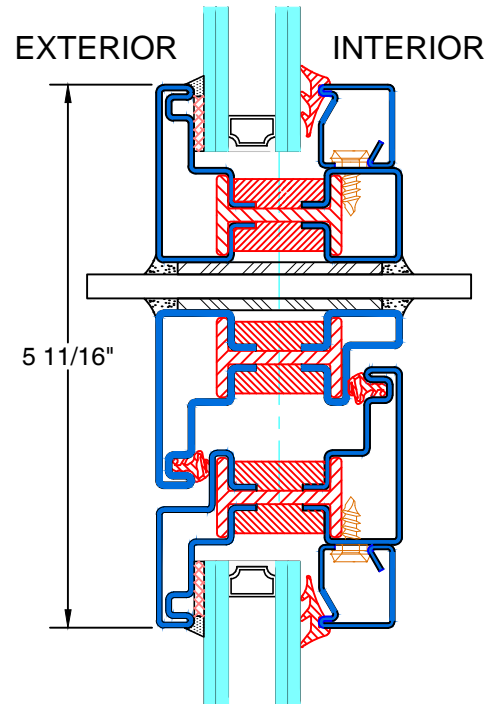
Typical Details

INSWING CASEMENT / FIXED
Scale: Half Scale

Thermally Broken
Cold Rolled Steel
Up To 1" Insulated Glass

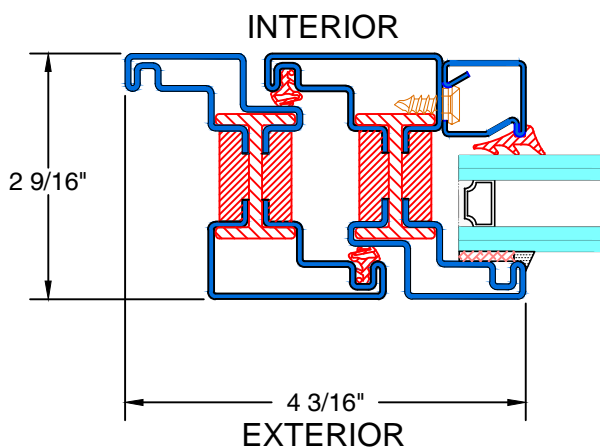


S TYPICAL JOINING MULLION

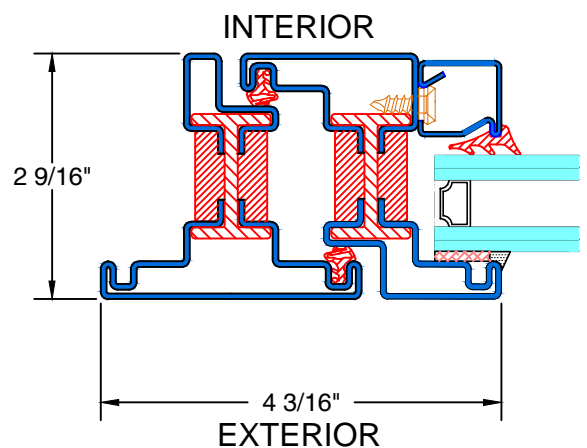


T TYPICAL STACKING TRANSOM

OPTIONAL FLANGE FRAME



1 TYPICAL JAMB INTERIOR FLANGE



2 TYPICAL JAMB EXTERIOR FLANGE

