

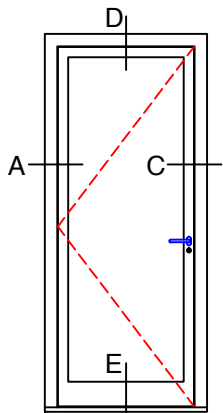
Typical Exterior Elevations

6500-ID SERIES

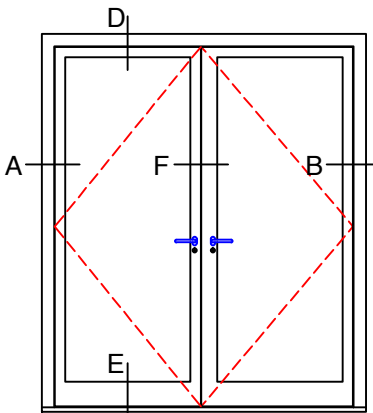
INSWING DOORS / FIXED
Scale: Not To Scale

Thermally Broken
Cold Rolled Steel
Up To 1" Insulated Glass

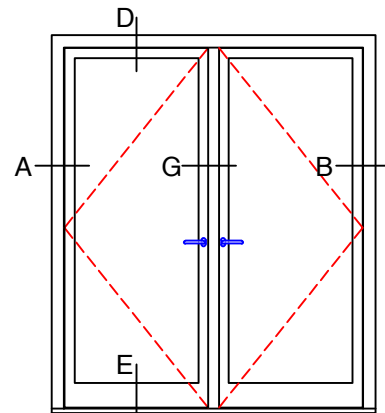
PAGE 1 OF 7



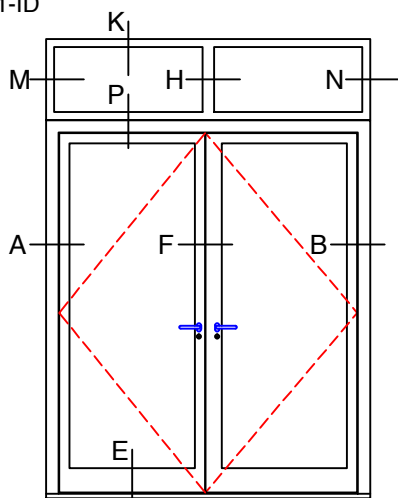
6511-ID



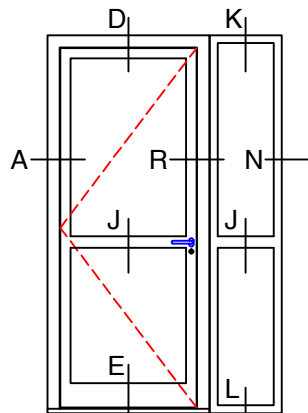
6521-FR-ID



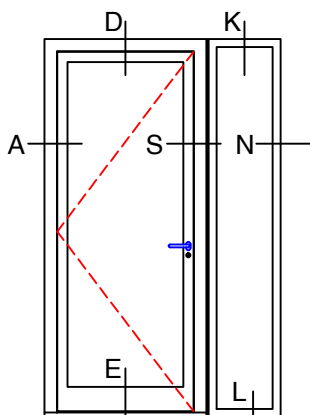
6521-DB-ID



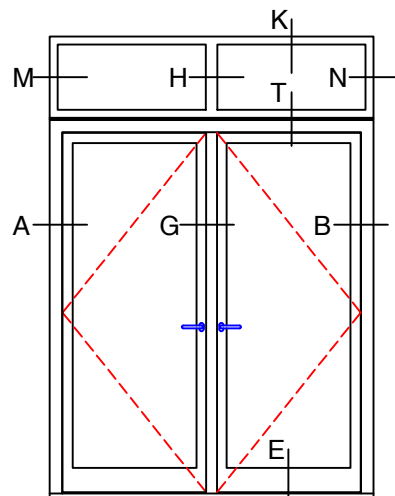
6522-FR-ID-FX



6522-ID-FX



6521-ID-FX



6522-DB-ID-FX



Typical Details

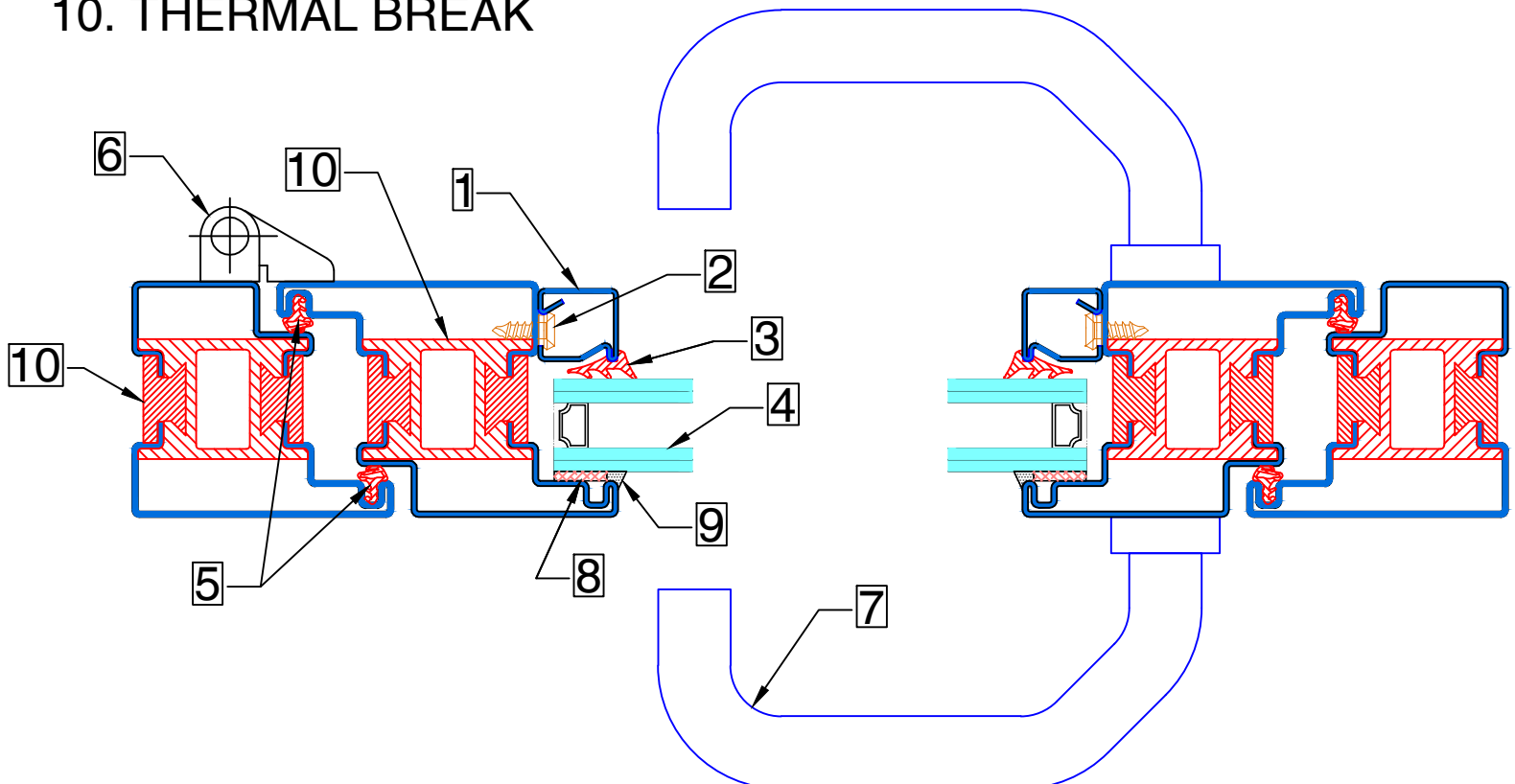
INSWING DOORS / FIXED
Scale: Half Scale

Thermally Broken
Cold Rolled Steel
Up To 1" Insulated Glass

PAGE 2 OF 7

KEY (TYPICAL)

1. SNAP IN STEEL GLAZING BEAD
2. SNAP FASTENER
3. WEDGE GASKET
4. GLASS AND GLAZING (BY OTHERS)
5. WEATHER STRIPPING (EXTRUDED EPM)
6. STEEL FLEX HINGE
7. STAINLESS STEEL FLEX HANDLE
8. GLAZING TAPE (BY OTHERS)
9. SILICONE CAP BEAD (BY OTHERS)
10. THERMAL BREAK

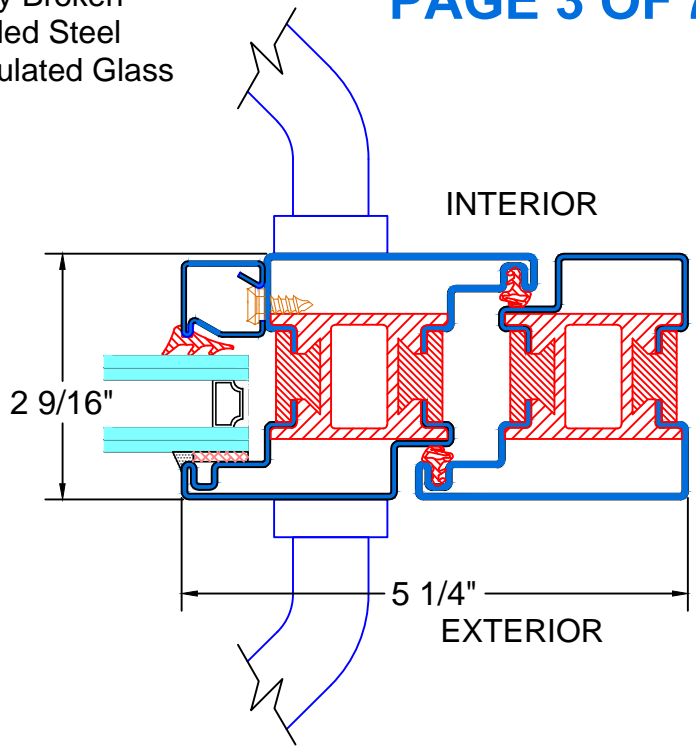
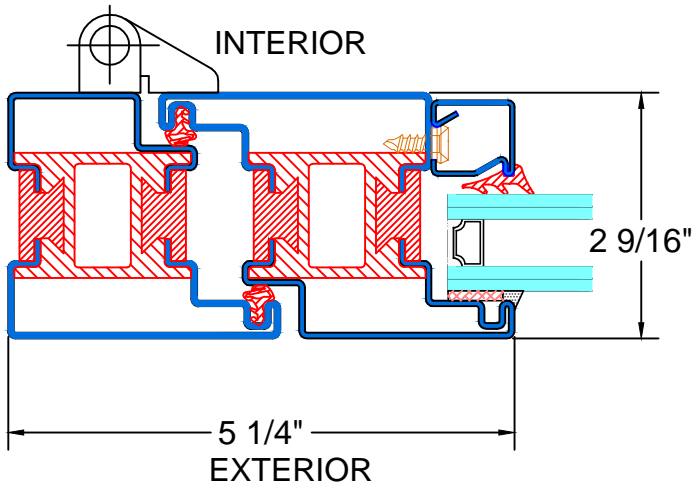


Typical Details

INSWING DOORS / FIXED
Scale: Half Scale

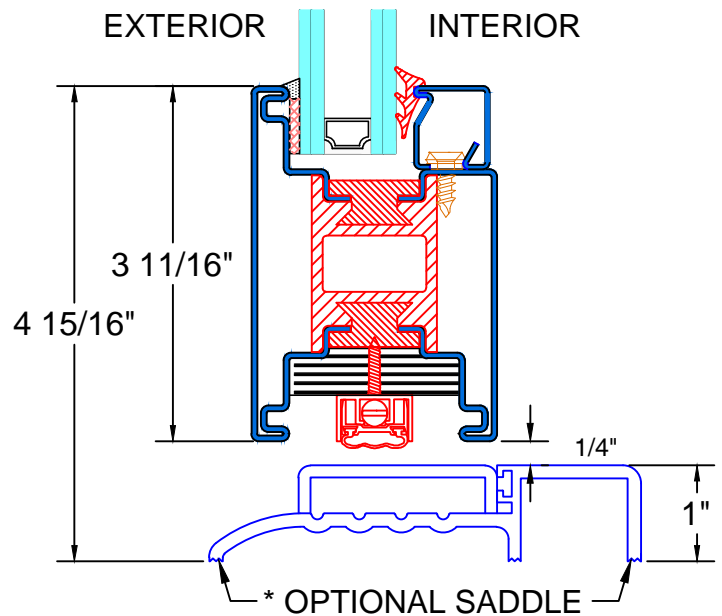
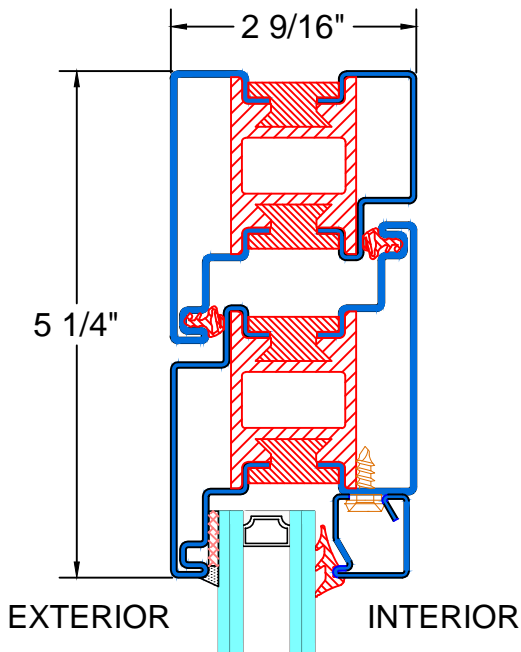
Thermally Broken
Cold Rolled Steel
Up To 1" Insulated Glass

PAGE 3 OF 7



A&B TYPICAL HINGED JAMB

C TYPICAL LOCKING JAMB



D TYPICAL HEAD

E TYPICAL KICKPLATE

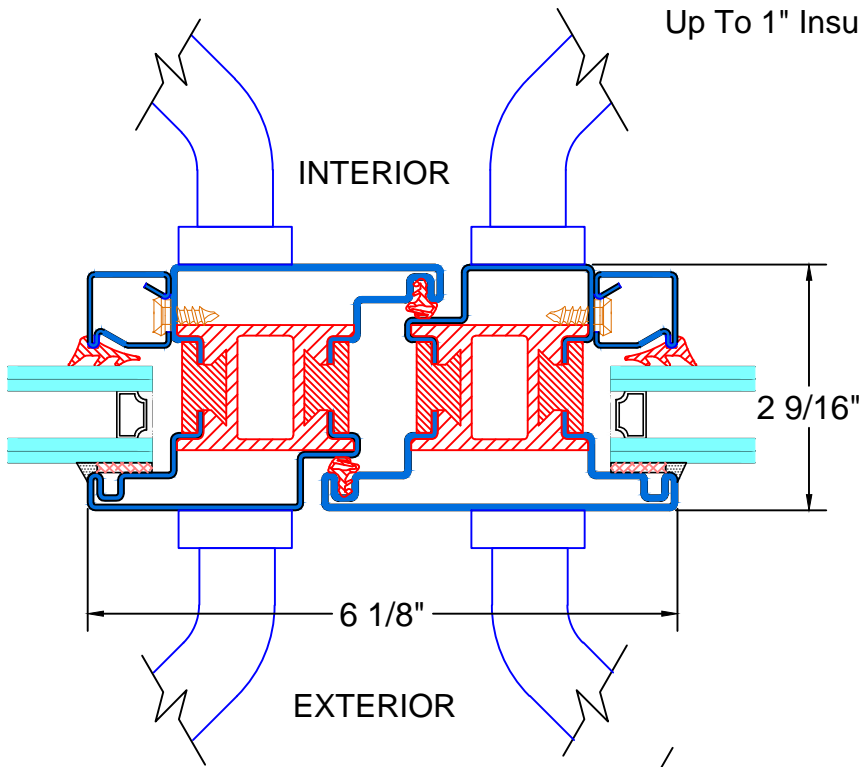


Typical Details

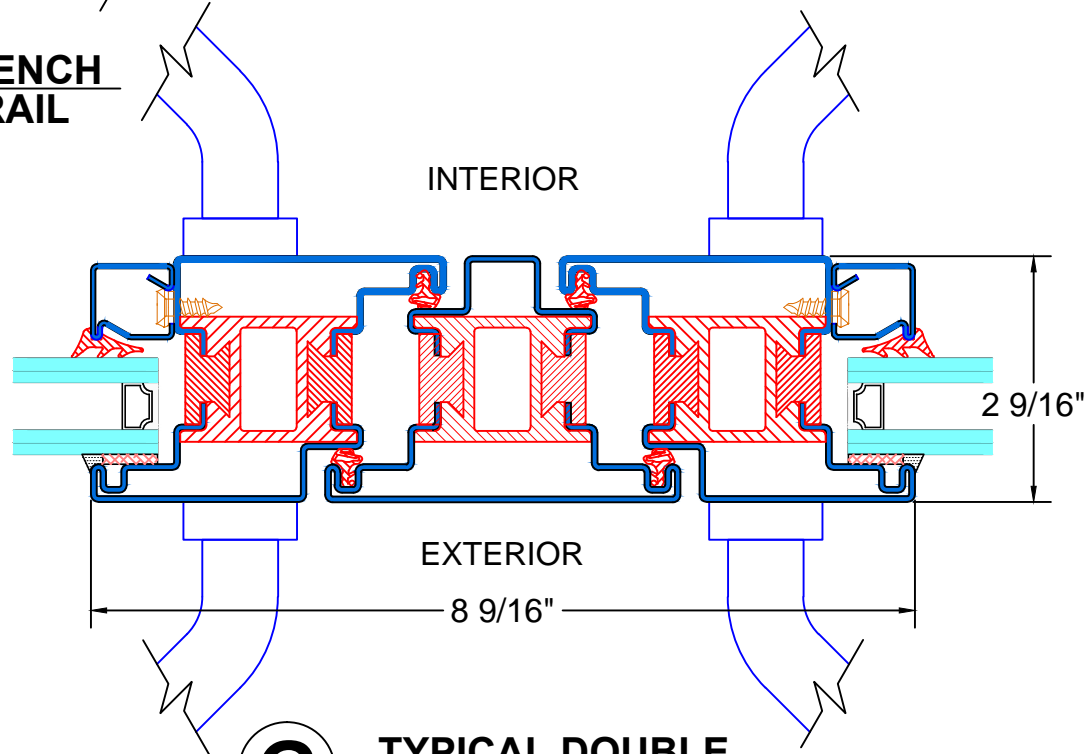
INSWING DOORS / FIXED
Scale: Half Scale

Thermally Broken
Cold Rolled Steel
Up To 1" Insulated Glass

PAGE 4 OF 7



F TYPICAL FRENCH MEETING RAIL



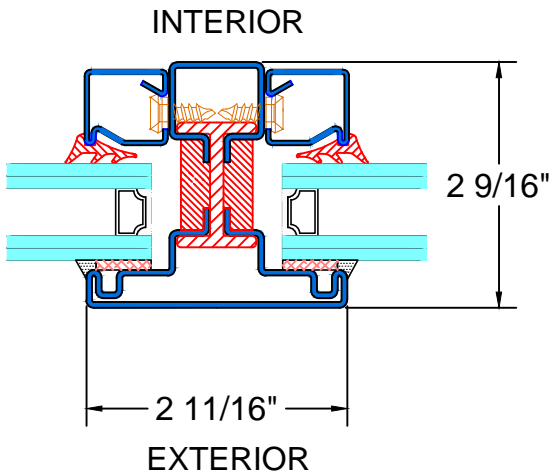
G TYPICAL DOUBLE MEETING RAIL W/ ASTRAGAL



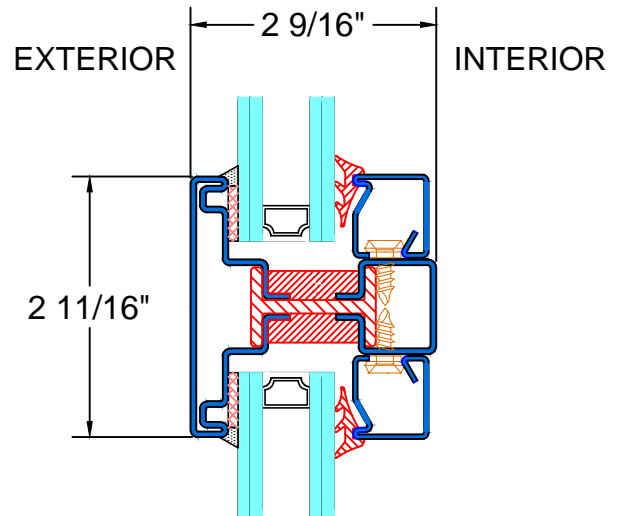
Typical Details

INSWING DOORS / FIXED
Scale: Half Scale

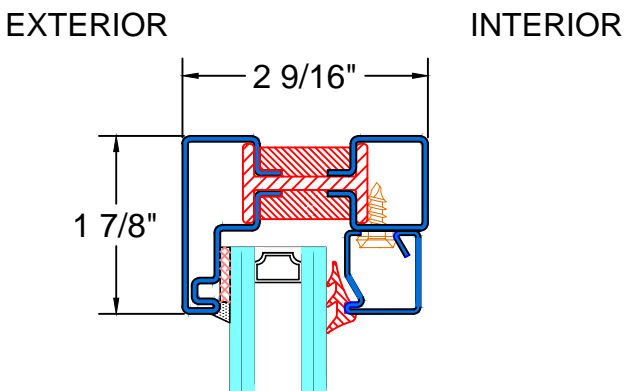
Thermally Broken
Cold Rolled Steel
Up To 1" Insulated Glass



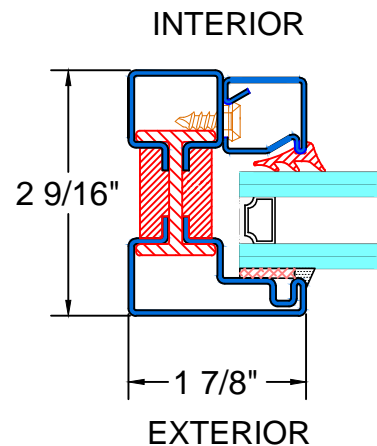
H TYPICAL VERTICAL MUNTIN



J TYPICAL HORIZONTAL MUNTIN



K&L TYPICAL FIXED HEAD & SILL



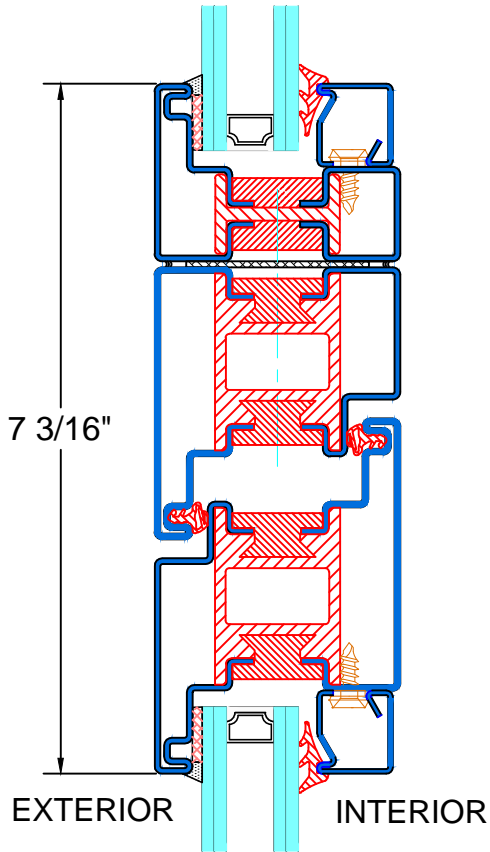
M&N TYPICAL FIXED JAMB



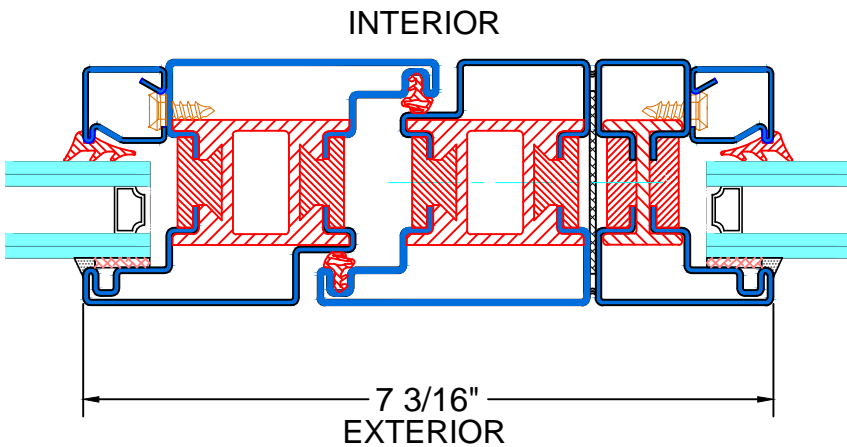
Typical Details

INSWING DOORS / FIXED
Scale: Half Scale

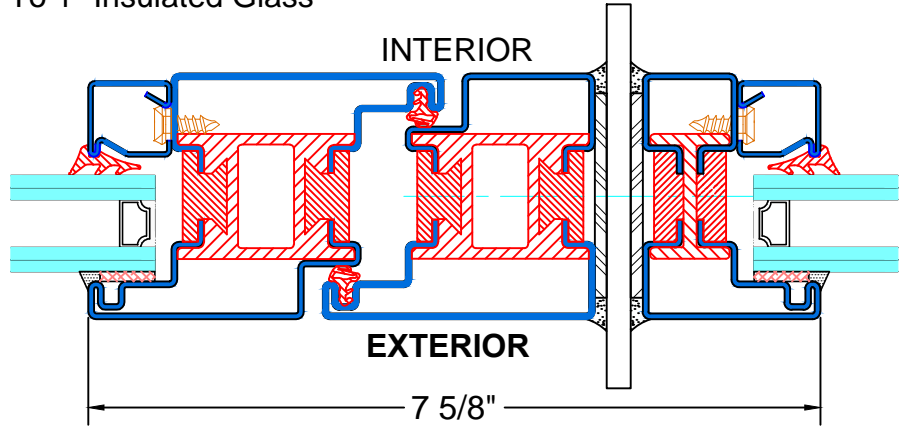
Thermally Broken
Cold Rolled Steel
Up To 1" Insulated Glass



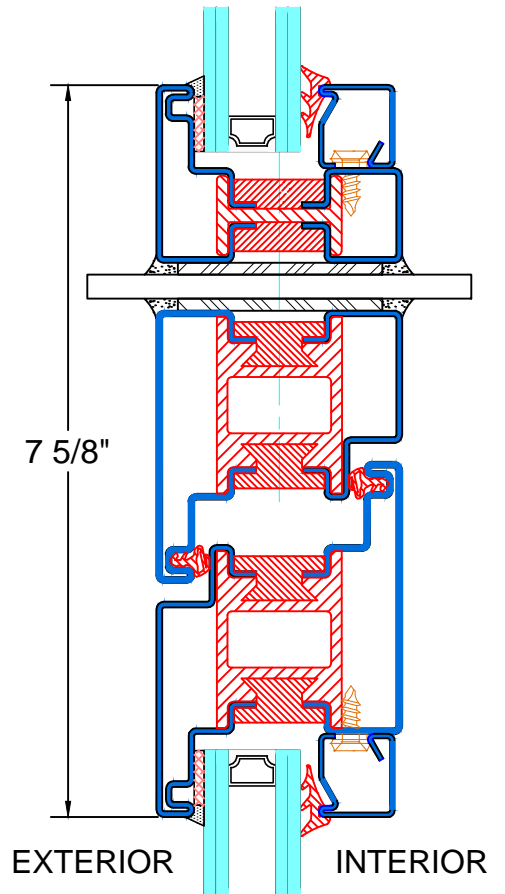
P TYPICAL STACKING TRANSOM



R TYPICAL JOINING SIDELITE



S TYPICAL JOINING MULLION



T TYPICAL STACKING MULLION



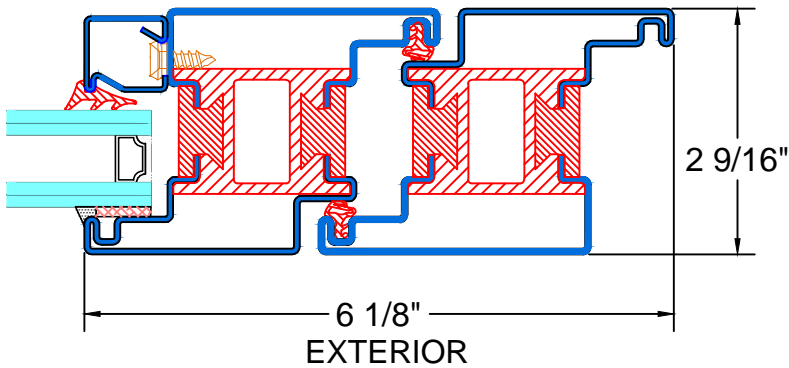
Typical Details

INSWING DOORS / FIXED
Scale: Half Scale

Thermally Broken
Cold Rolled Steel
Up To 1" Insulated Glass

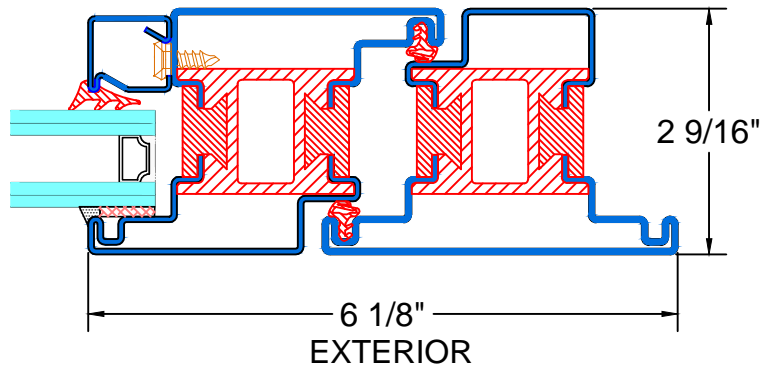
OPTIONAL FLANGE FRAME

INTERIOR



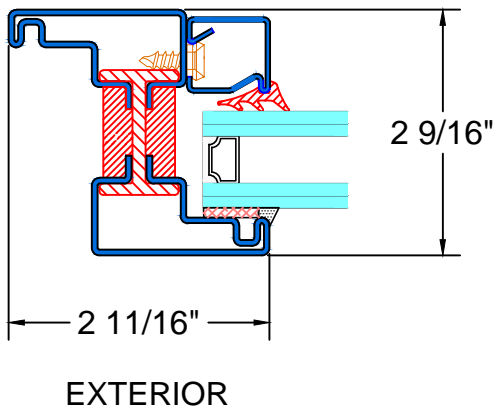
1 TYPICAL JAMB
INTERIOR FLANGE

INTERIOR



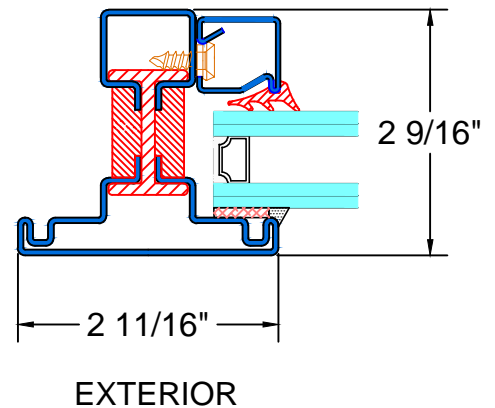
2 TYPICAL JAMB
EXTERIOR FLANGE

INTERIOR



3 TYPICAL FIXED
INTERIOR FLANGE

INTERIOR



4 TYPICAL FIXED
EXTERIOR FLANGE

