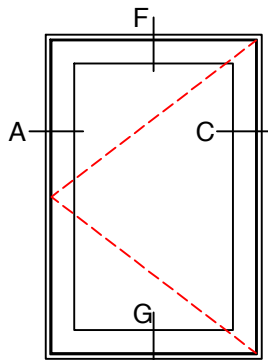


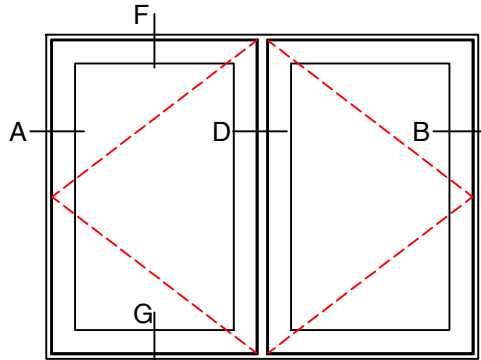
Typical Exterior Elevations

OUTSWING CASEMENT / FIXED
Scale: Not To Scale

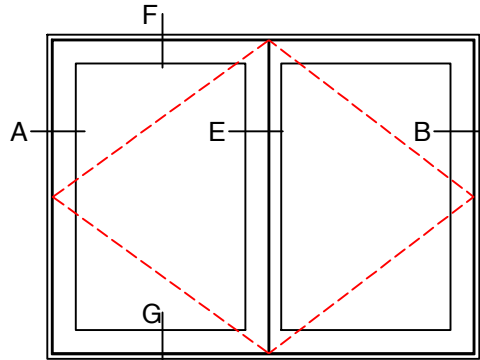
Thermally Broken
Cold Rolled Steel
Up To 1" Insulated Glass



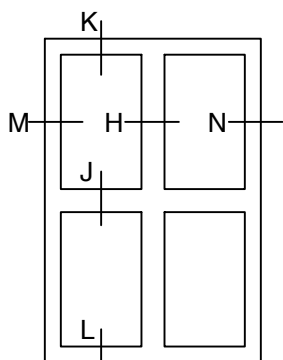
6511-OC



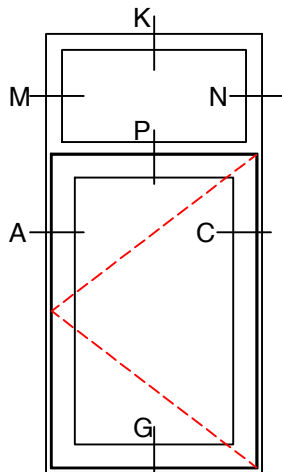
6521-DB-OC



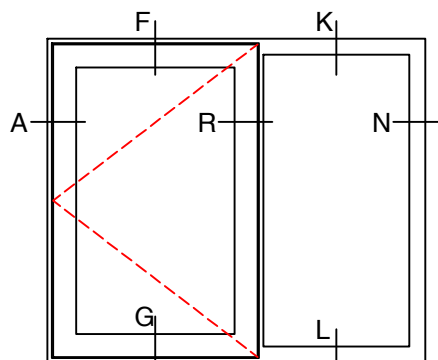
6521-FR-OC



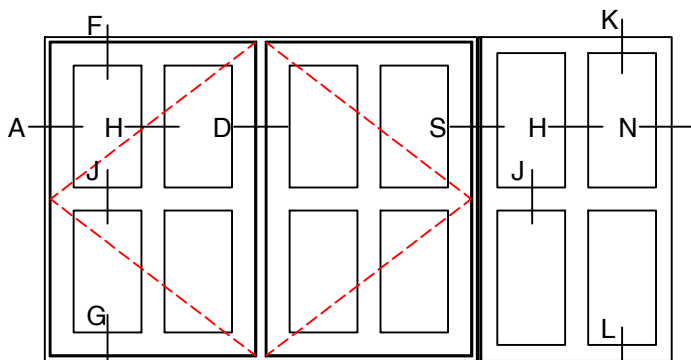
6522-FX



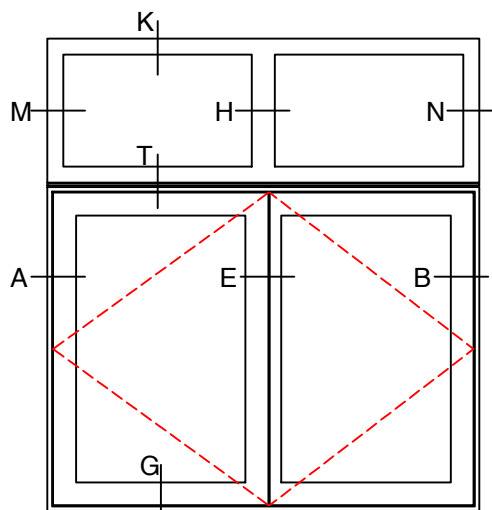
6512-OC-FX



6521-OC-FX



6562-DB-OC-FX



6522-FR-OC-FX



Typical Details

OUTSWING CASEMENT / FIXED
Scale: Half Scale

Thermally Broken
Cold Rolled Steel
Up To 1" Insulated Glass

PAGE 2 OF 6

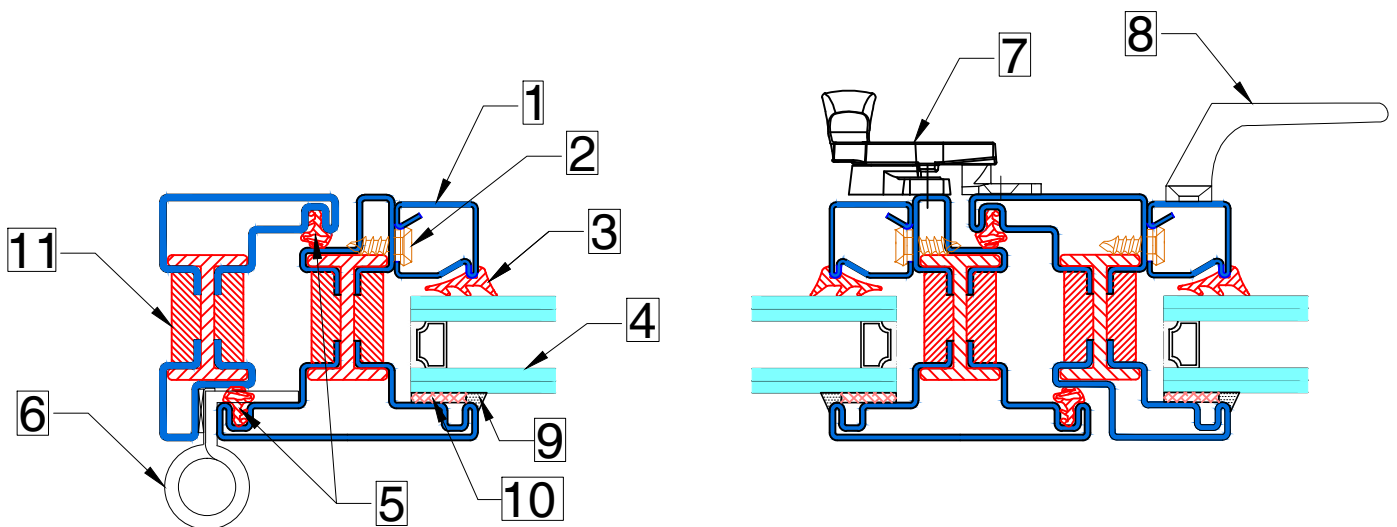
KEY (TYPICAL)

1. SNAP IN STEEL GLAZING BEAD
2. SNAP FASTENER
3. WEDGE GASKET
4. GLASS AND GLAZING (BY OTHERS)
5. WEATHER STRIPPING (EXTRUDED EPM)
6. STEEL HINGE
7. WHITE BRONZE FLEX SIMPLEX FASTENER WITH KEEPER

*NOTE: BRONZE HARDWARE IS OWM'S STANDARD

(OTHER FINISHES AVAILABLE)

8. BRONZE T-PULL (LOCATED 4" BELOW FASTENER)
9. SILICONE CAP BEAD (BY OTHERS)
10. GLAZING TAPE (BY OTHERS)
11. THERMAL BREAK

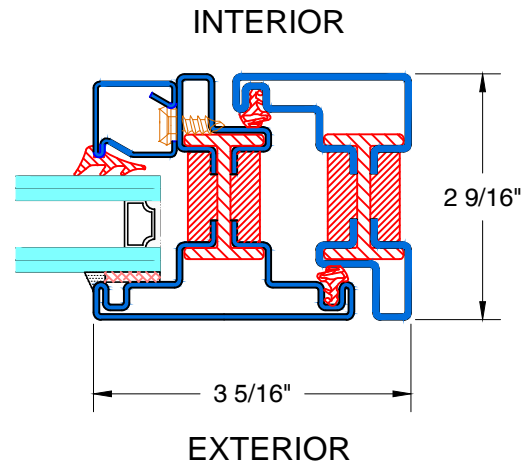
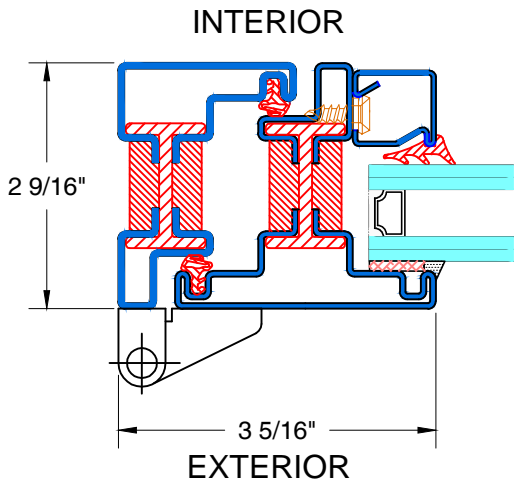


Typical Details

OUTSWING CASEMENT / FIXED
Scale: Half Scale

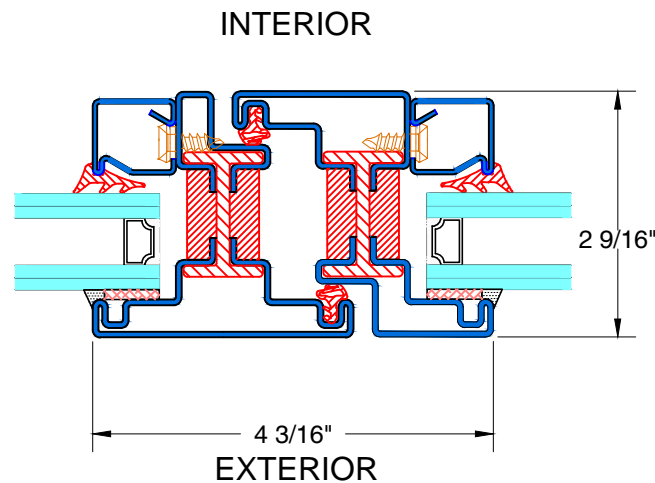
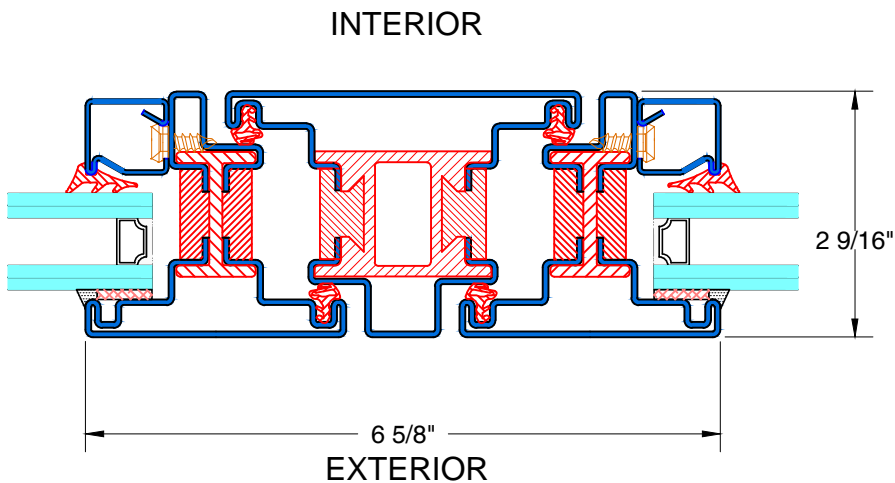
Thermally Broken
Cold Rolled Steel
Up To 1" Insulated Glass

PAGE 3 OF 6



A&B TYPICAL HINGED JAMB

C TYPICAL LOCKING JAMB



D TYPICAL MEETING RAIL

E TYPICAL FRENCH MEETING RAIL

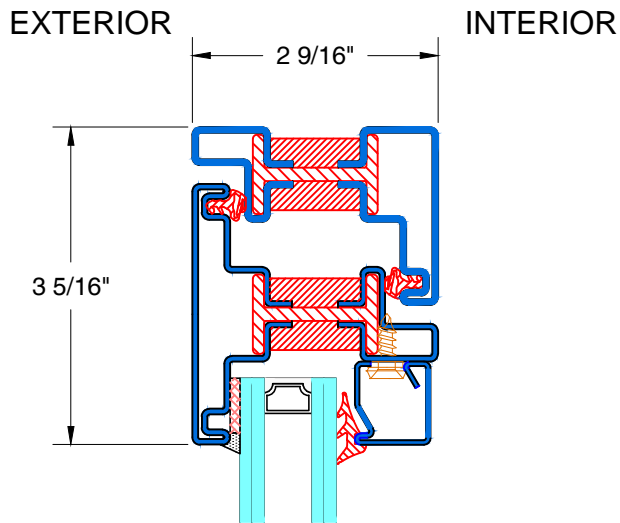


Typical Details

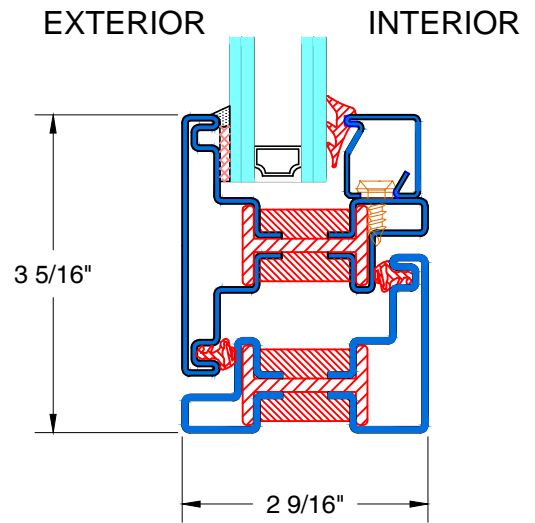
OUTSWING CASEMENT / FIXED
Scale: Half Scale

Thermally Broken
Cold Rolled Steel
Up To 1" Insulated Glass

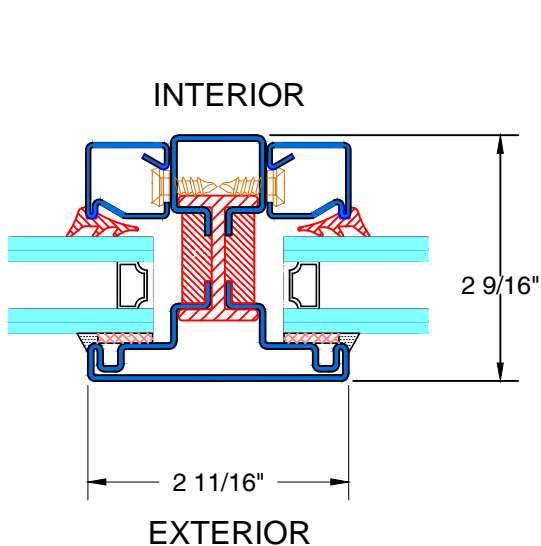
PAGE 4 OF 6



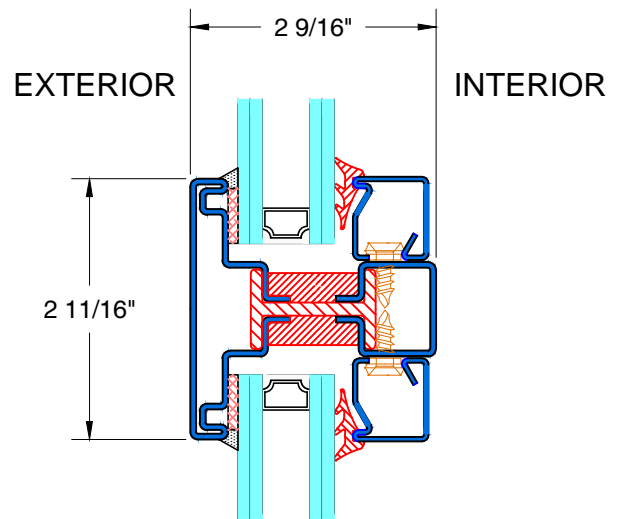
F TYPICAL HEAD



G TYPICAL SILL



H TYPICAL VERTICAL MUNTIN



J TYPICAL HORIZONTAL MUNTIN

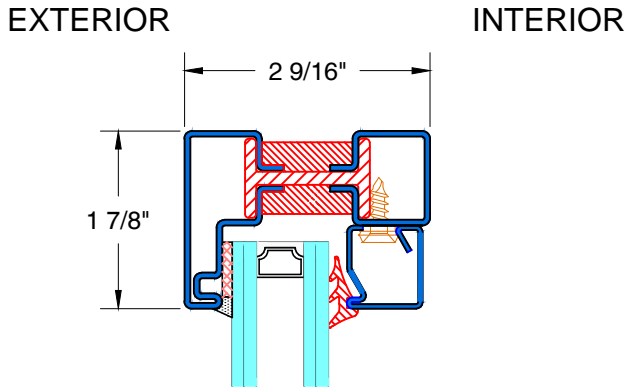


Typical Details

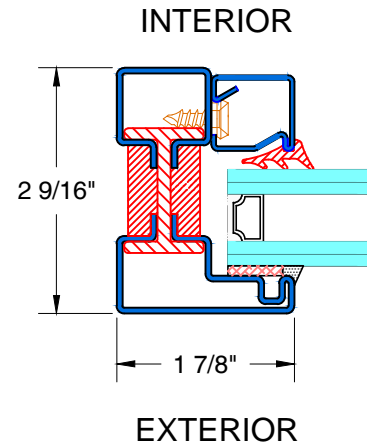
OUTSWING CASEMENT / FIXED
Scale: Half Scale

Thermally Broken
Cold Rolled Steel
Up To 1" Insulated Glass

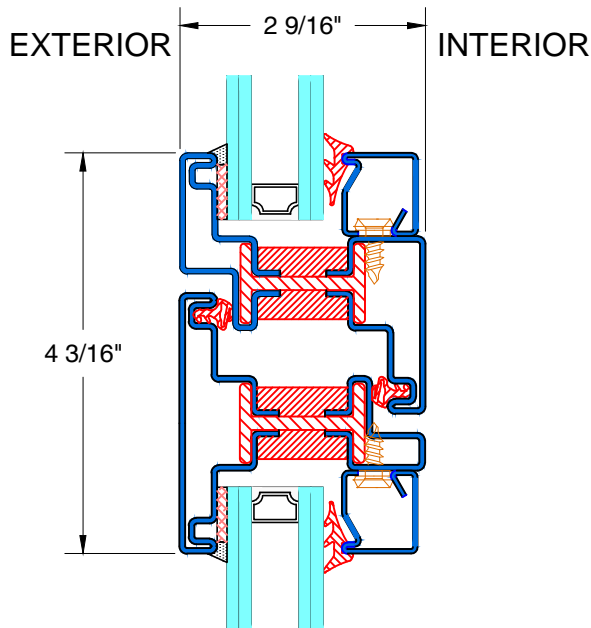
PAGE 5 OF 6



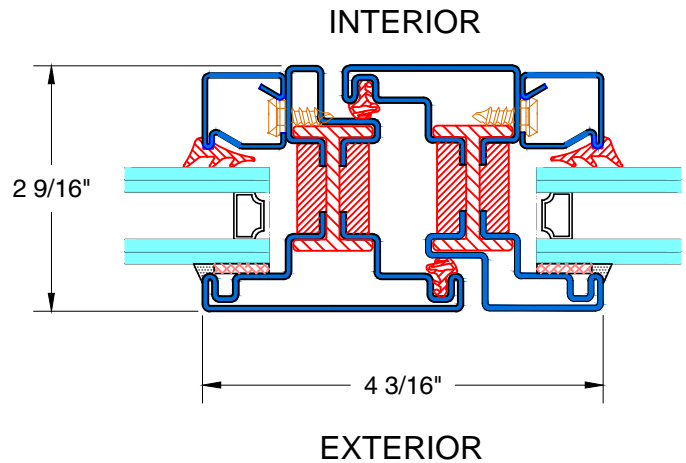
K&L TYPICAL FIXED
HEAD & SILL



M&N TYPICAL FIXED
JAMB



P TYPICAL STACKING
TRANSOM



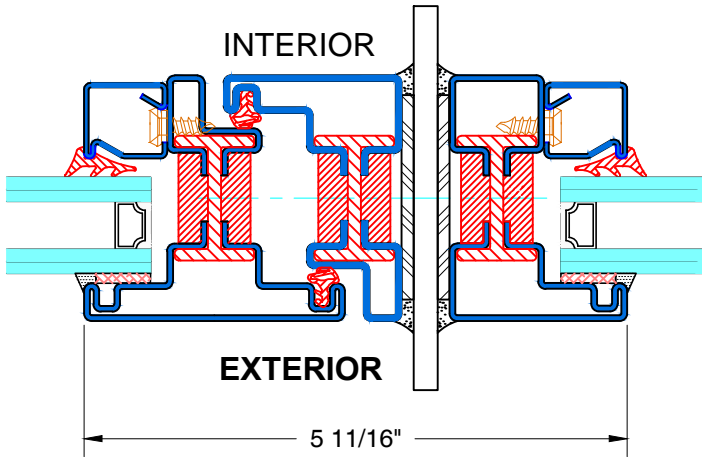
R TYPICAL JOINING
SIDELITE



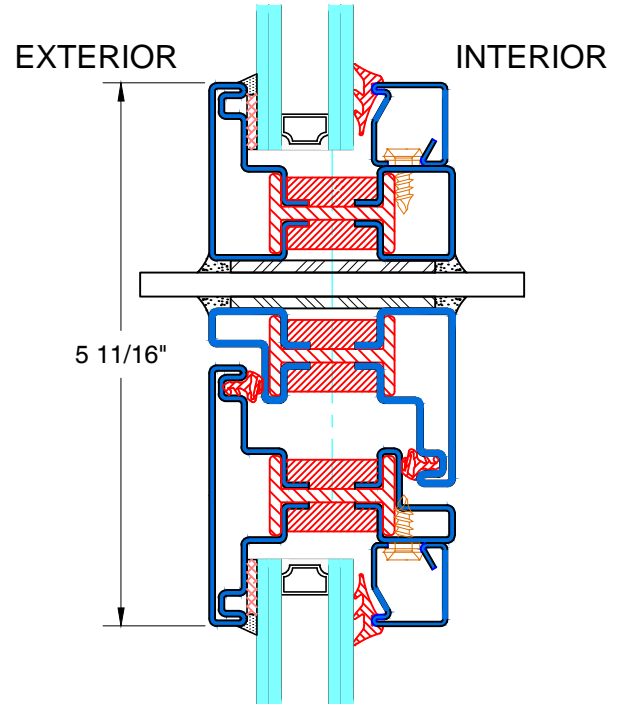
Typical Details

OUTSWING CASEMENT / FIXED
Scale: Half Scale

Thermally Broken
Cold Rolled Steel
Up To 1" Insulated Glass

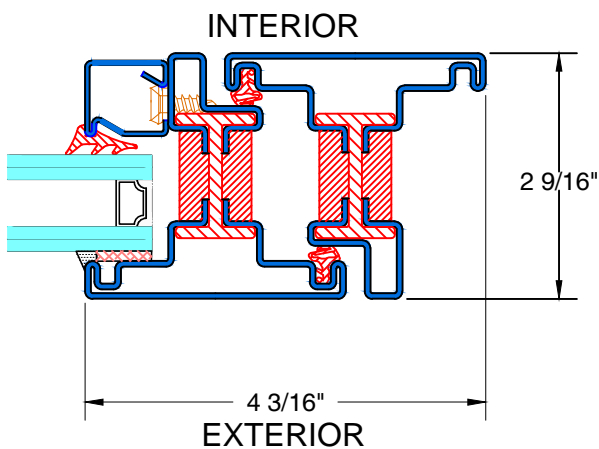


S TYPICAL JOINING MULLION

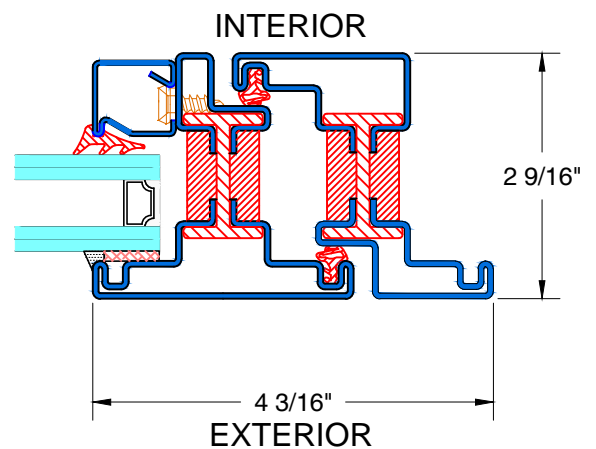


T TYPICAL STACKING TRANSOM

OPTIONAL FLANGE FRAME



1 TYPICAL JAMB INTERIOR FLANGE



2 TYPICAL JAMB EXTERIOR FLANGE

