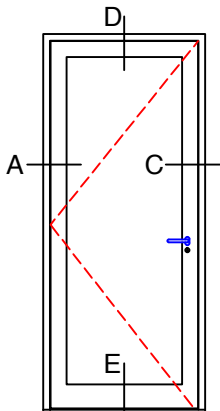


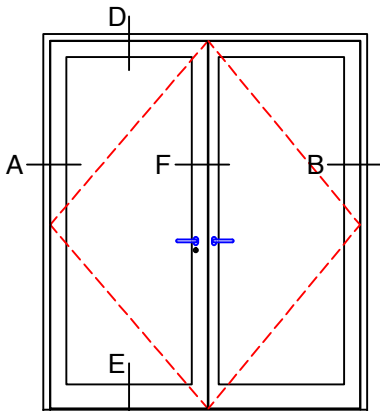
## Typical Exterior Elevations

OUTSWING DOORS / FIXED  
Scale: Not To Scale

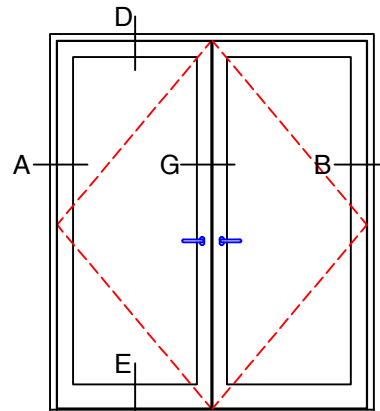
Thermally Broken  
Cold Rolled Steel  
Up To 1" Insulated Glass



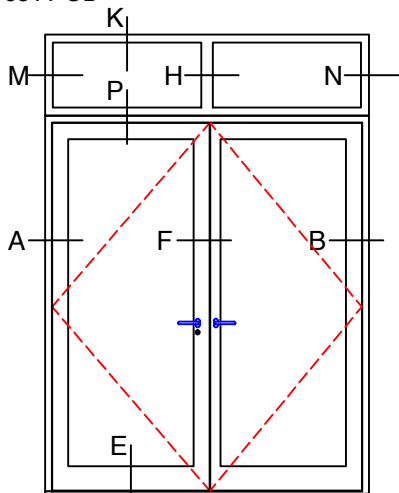
6511-OD



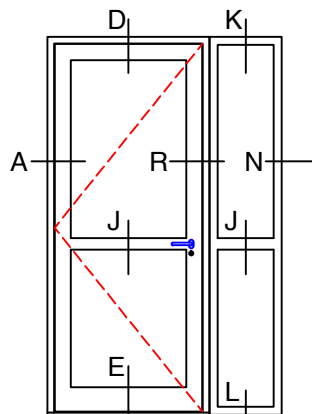
6521-FR-OD



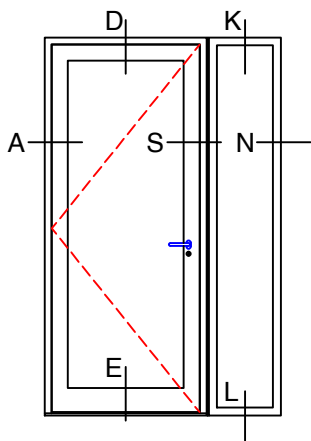
6521-DB-OD



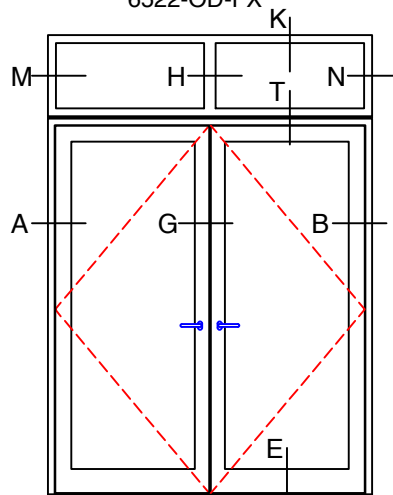
6522-FR-OD-FX



6522-OD-FX



6521-OD-FX



6522-DB-OD-FX



## Typical Details

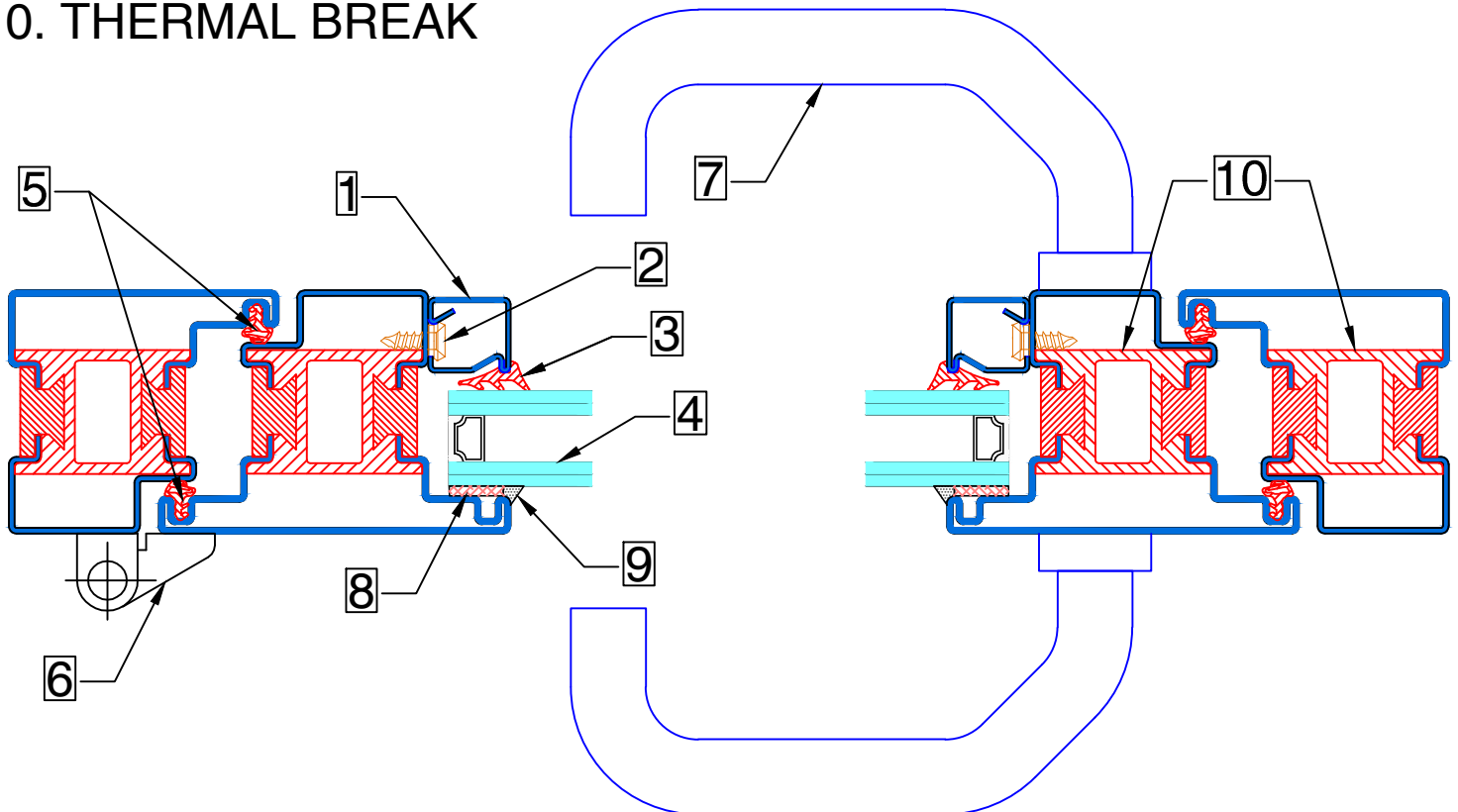
OUTSWING DOORS / FIXED  
Scale: Half Scale

Thermally Broken  
Cold Rolled Steel  
Up To 1" Insulated Glass

PAGE 2 OF 7

## KEY (TYPICAL)

1. SNAP IN STEEL GLAZING BEAD
2. SNAP FASTENER
3. WEDGE GASKET
4. GLASS AND GLAZING (BY OTHERS)
5. WEATHER STRIPPING (EXTRUDED EPM)
6. STEEL FLEX HINGE
7. STAINLESS STEEL FLEX HANDLE
8. GLAZING TAPE (BY OTHERS)
9. SILICONE CAP BEAD (BY OTHERS)
10. THERMAL BREAK



## Typical Details

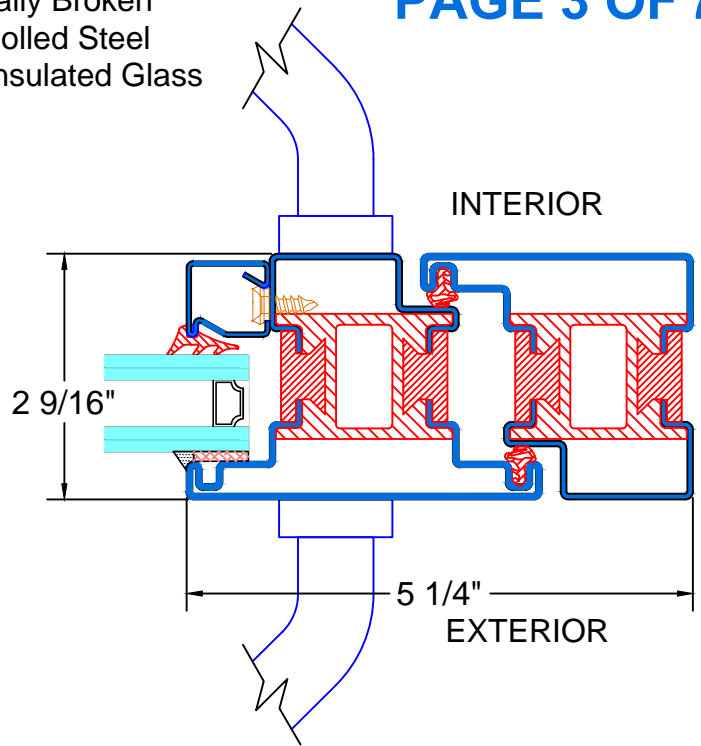
OUTSWING DOORS / FIXED  
Scale: Half Scale

Thermally Broken  
Cold Rolled Steel  
Up To 1" Insulated Glass

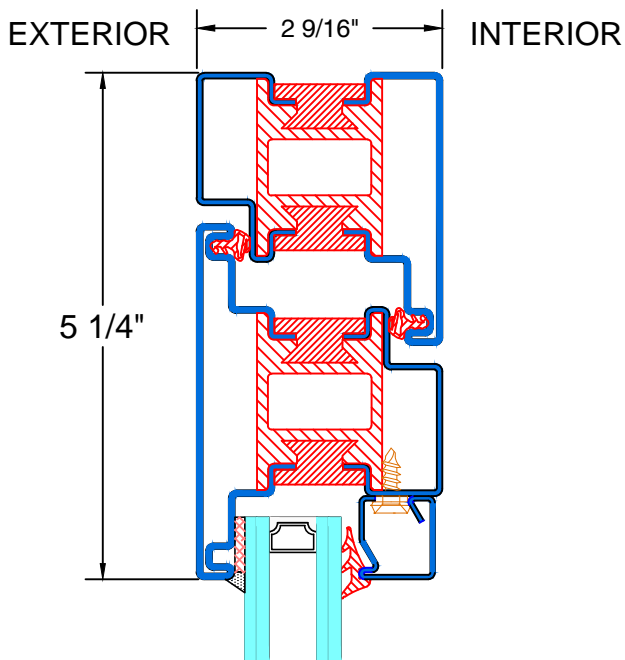
PAGE 3 OF 7



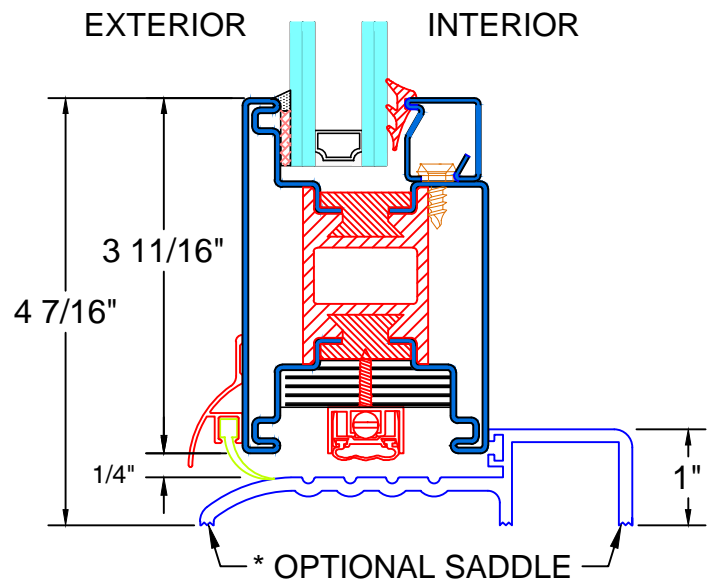
**A&B** TYPICAL HINGED JAMB



**C** TYPICAL LOCKING JAMB



**D** TYPICAL HEAD



**E** TYPICAL KICKPLATE

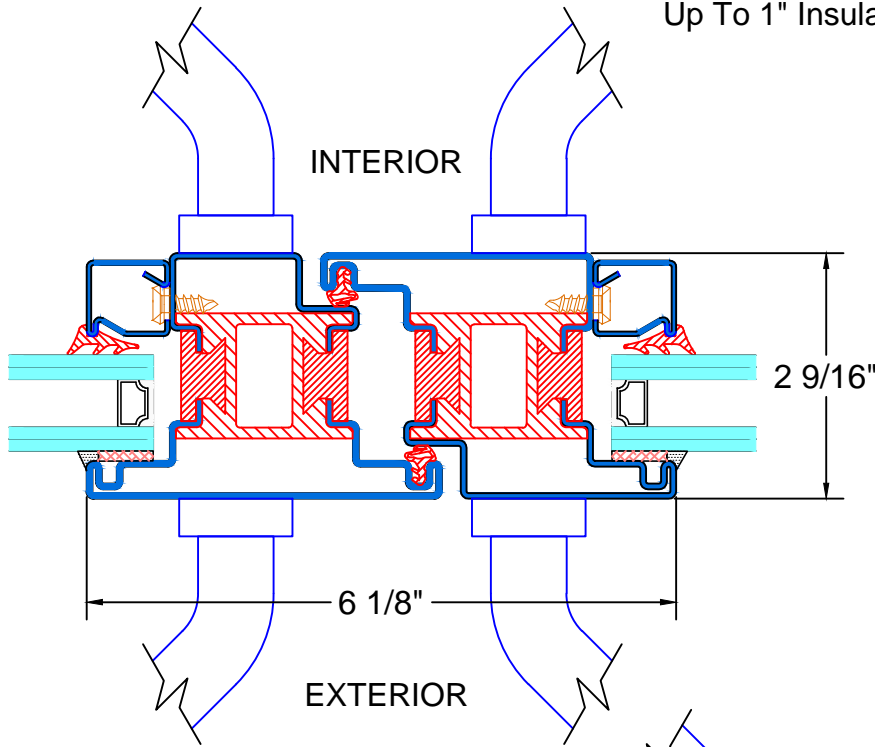


## Typical Details

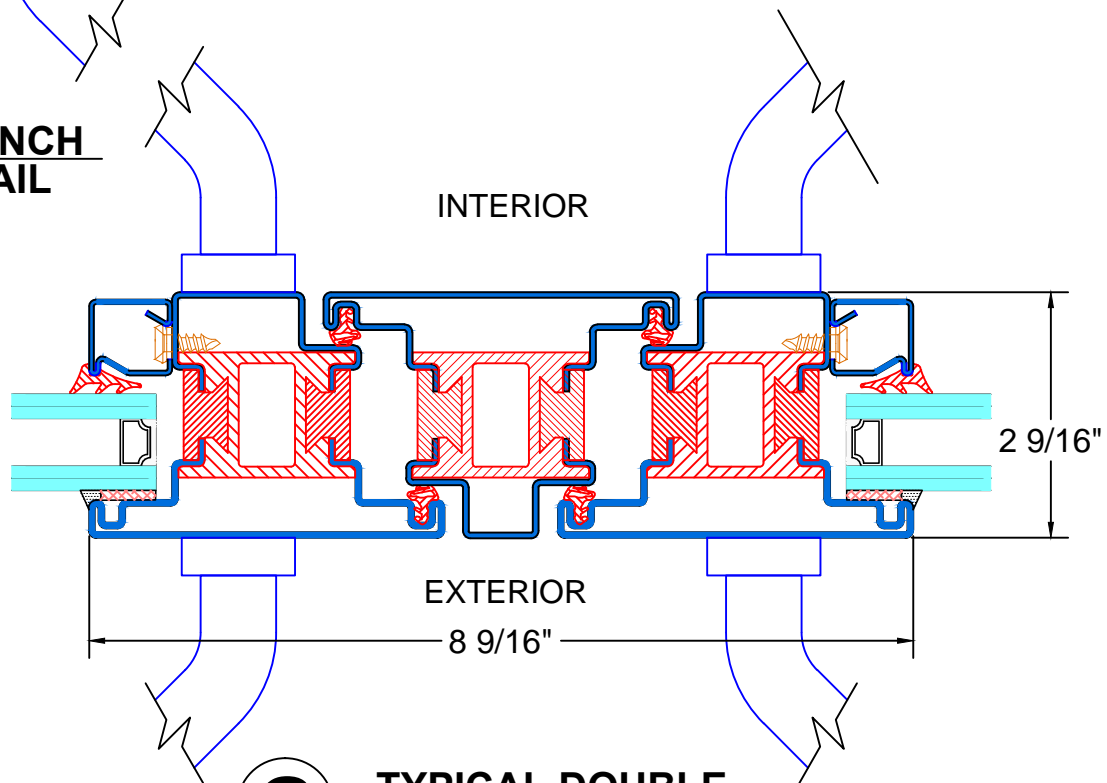
**OUTSWING DOORS / FIXED**  
Scale: Half Scale

Thermally Broken  
Cold Rolled Steel  
Up To 1" Insulated Glass

**PAGE 4 OF 7**



**F** TYPICAL FRENCH MEETING RAIL



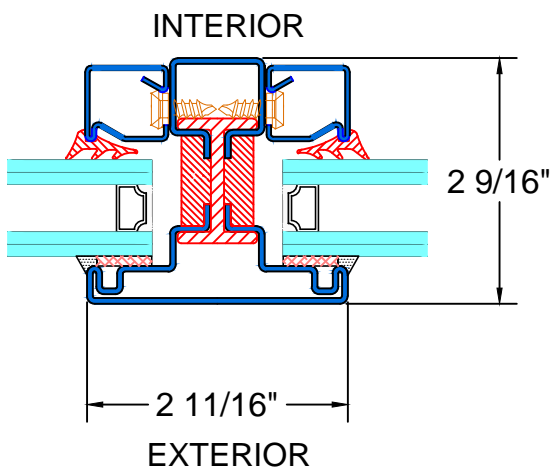
**G** TYPICAL DOUBLE MEETING RAIL W/ ASTRAGAL



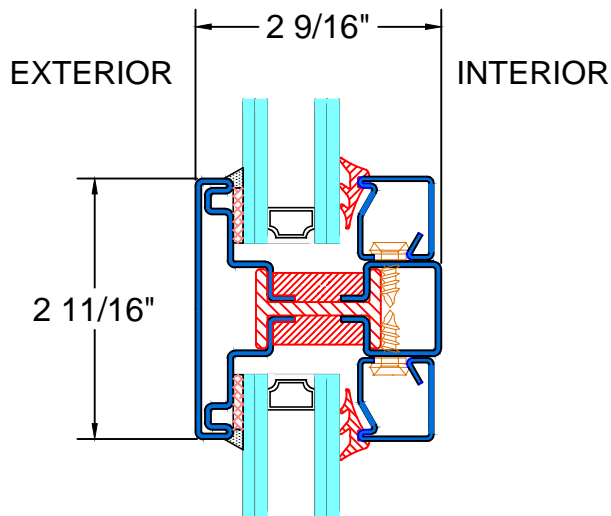
## Typical Details

OUTSWING DOORS / FIXED  
Scale: Half Scale

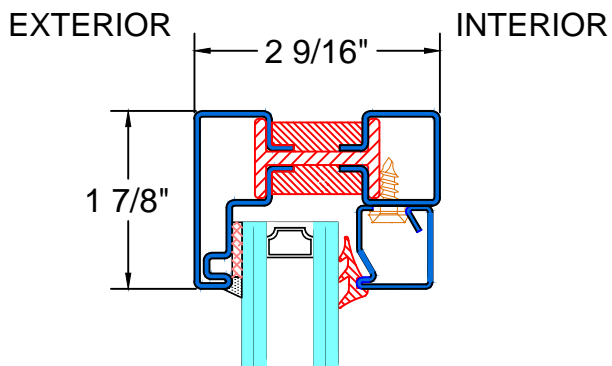
Thermally Broken  
Cold Rolled Steel  
Up To 1" Insulated Glass



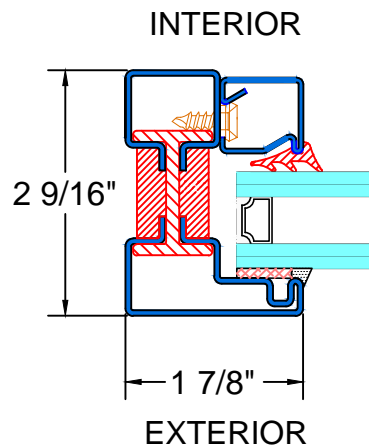
**H** TYPICAL VERTICAL MUNTIN



**J** TYPICAL HORIZONTAL MUNTIN



**K&L** TYPICAL FIXED HEAD & SILL



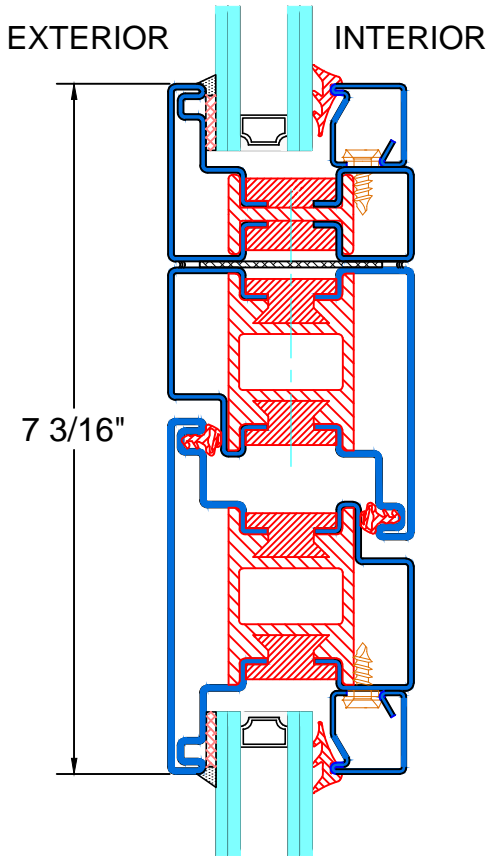
**M&N** TYPICAL FIXED JAMB



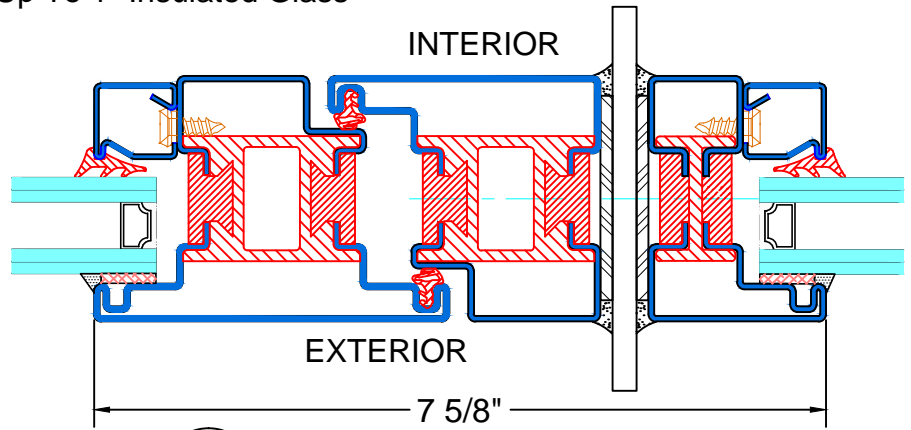
## Typical Details

OUTSWING DOORS / FIXED  
Scale: Half Scale

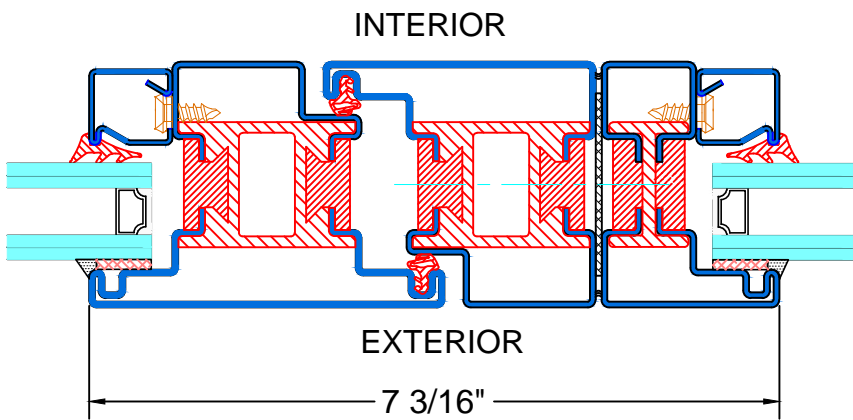
Thermally Broken  
Cold Rolled Steel  
Up To 1" Insulated Glass



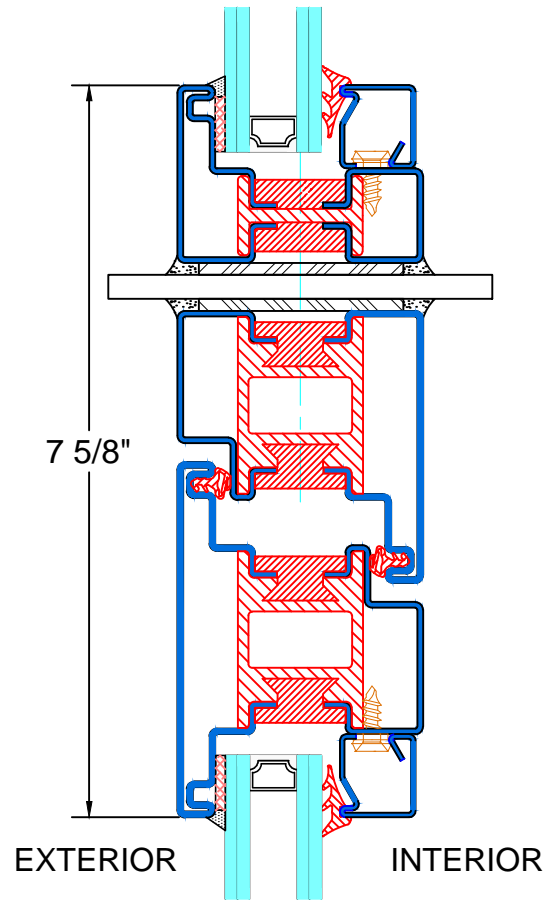
**P** TYPICAL STACKING TRANSOM



**S** TYPICAL JOINING MULLION



**R** TYPICAL JOINING SIDELITE



**T** TYPICAL STACKING MULLION



## Typical Details

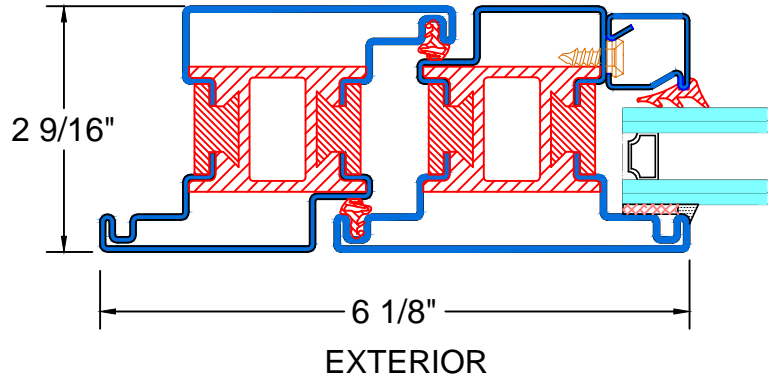
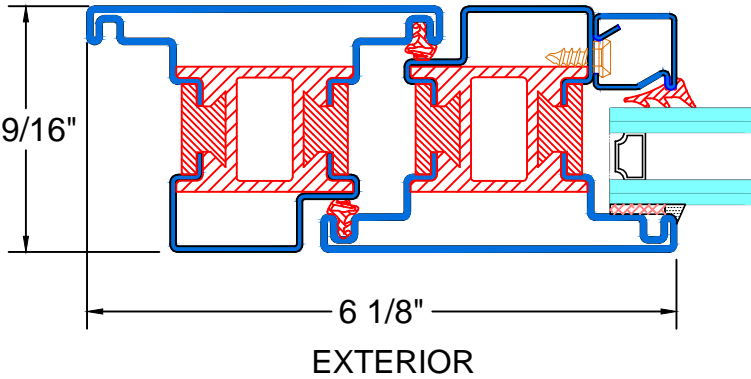
OUTSWING DOORS / FIXED  
Scale: Half Scale

Thermally Broken  
Cold Rolled Steel  
Up To 1" Insulated Glass

### OPTIONAL FLANGE FRAME

INTERIOR

INTERIOR

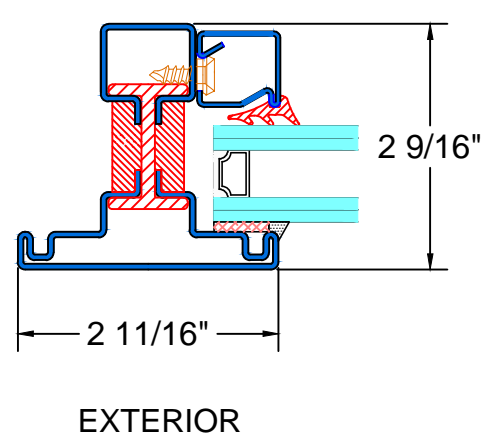
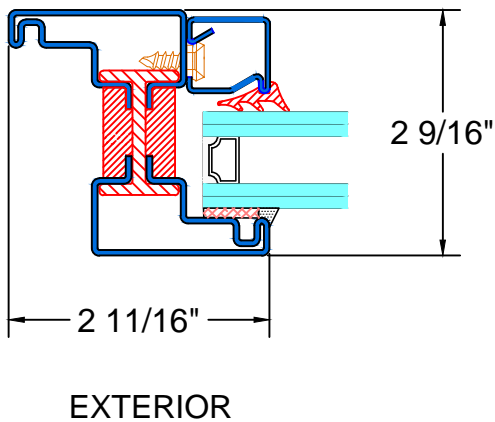


**1** TYPICAL JAMB  
INTERIOR FLANGE

**2** TYPICAL JAMB  
EXTERIOR FLANGE

INTERIOR

INTERIOR



**3** TYPICAL FIXED  
INTERIOR FLANGE

**4** TYPICAL FIXED  
EXTERIOR FLANGE

