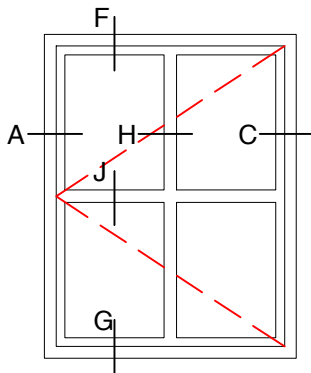


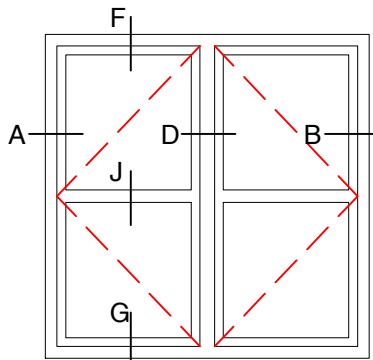
Typical Exterior Elevations

INSWING CASEMENTS / FIXED

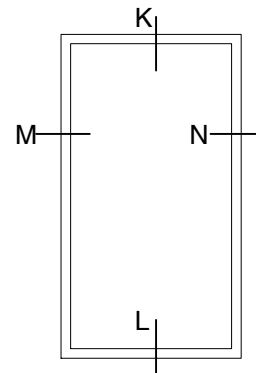
Scale: Not To Scale



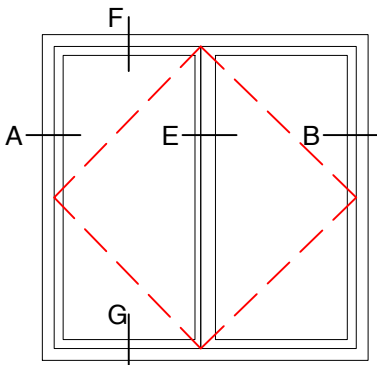
HR4522-IC



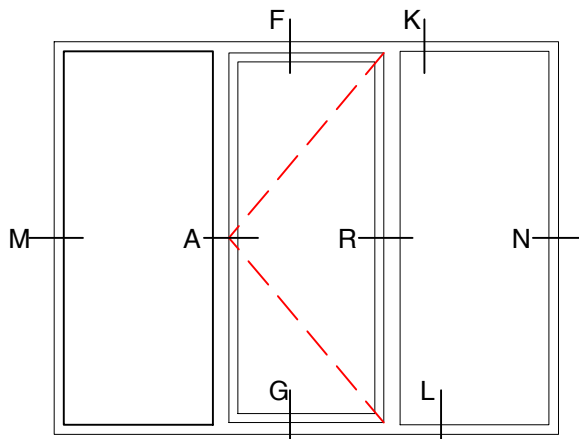
HR4522-DB-IC



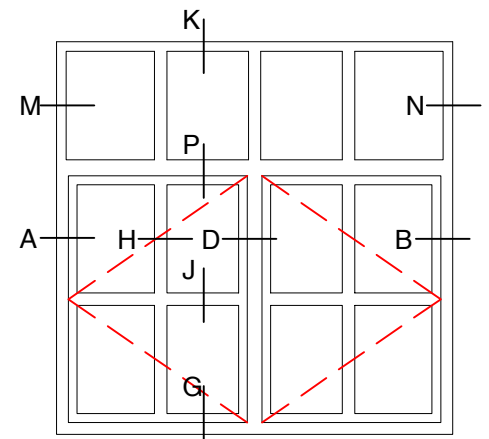
HR4511-FX



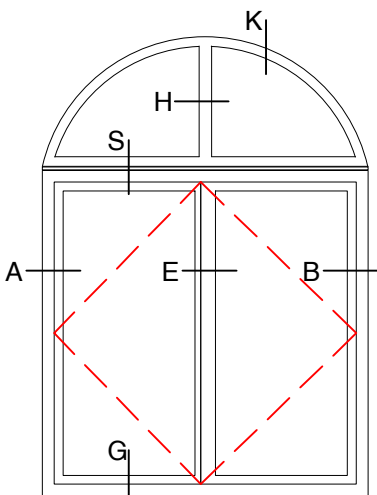
HR4521-FR-IC



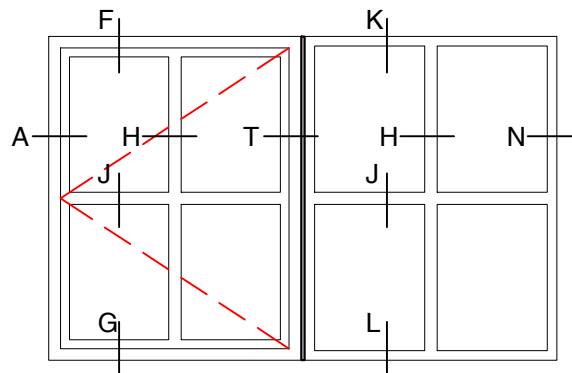
HR4531-IC-FX



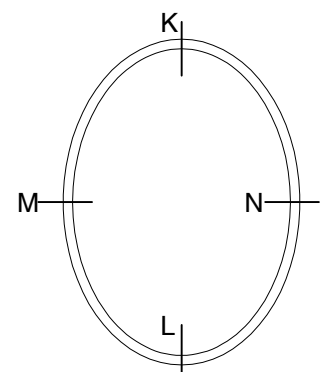
HR4543-DB-IC-FX



HR4522-FR-IC-FX-ARCH



HR4542-IC-FX

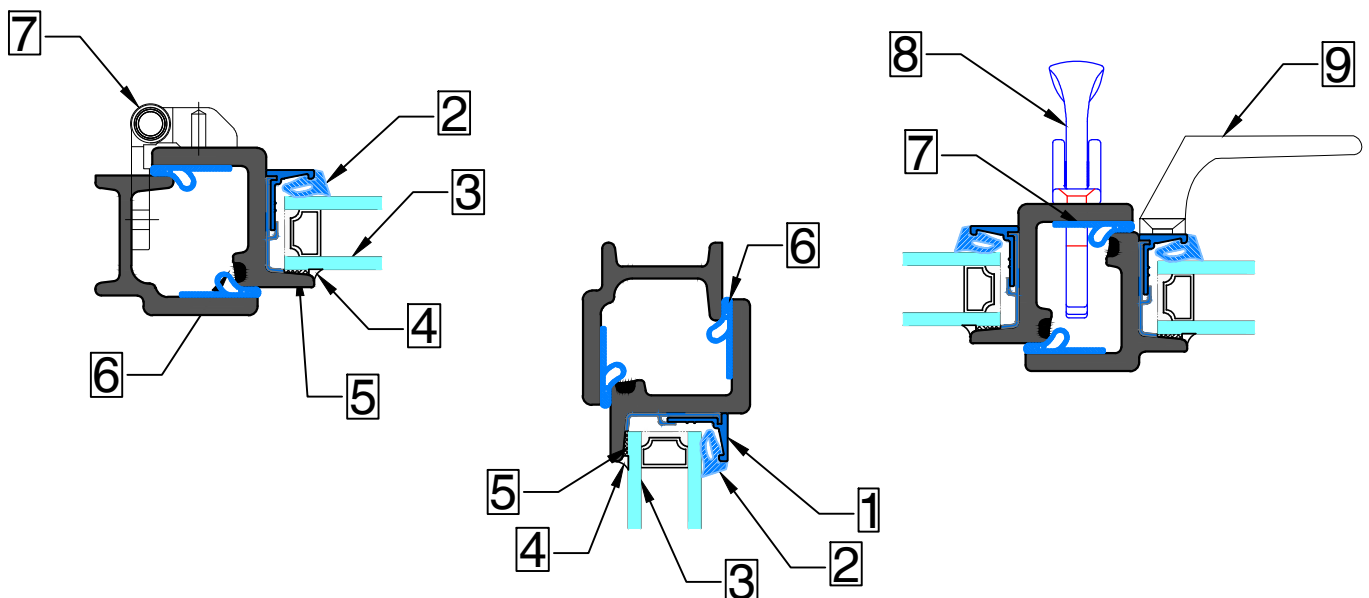


HR4511-FX-OVAL



KEY (TYPICAL)

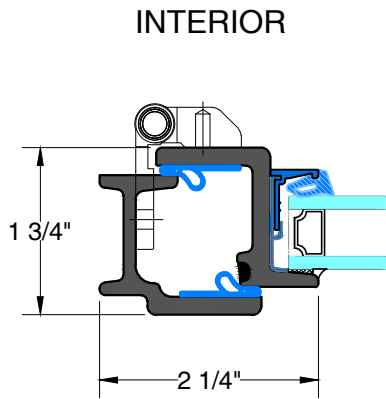
1. SNAP IN ALUMINUM GLAZING BEAD (OTHER OPTIONS AVAILABLE)
2. EXTRUDED SILICONE WEDGE GASKET (BY OWM)
3. GLASS AND GLAZING (BY OTHERS)
4. SILICONE CAP BEAD (BY OTHERS)
5. FOAM GLAZING TAPE (BY OTHERS)
6. WEATHER STRIPPING (EPDM)
7. ALUMINUM BUTT HINGE (OTHER OPTIONS AVAILABLE)
8. WHITE BRONZE PROJECT IN FASTENER WITH KEEPER
*NOTE: WHITE BRONZE HARDWARE IS OWM'S STANDARD (OTHER OPTIONS AND FINISHES AVAILABLE)
9. WHITE BRONZE T-PULL (LOCATED 4" ABOVE FASTENER)



Typical Details

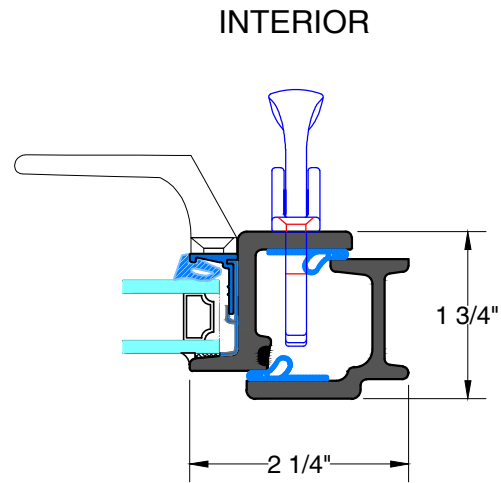
INSWING CASEMENTS / FIXED

Scale: Half Scale



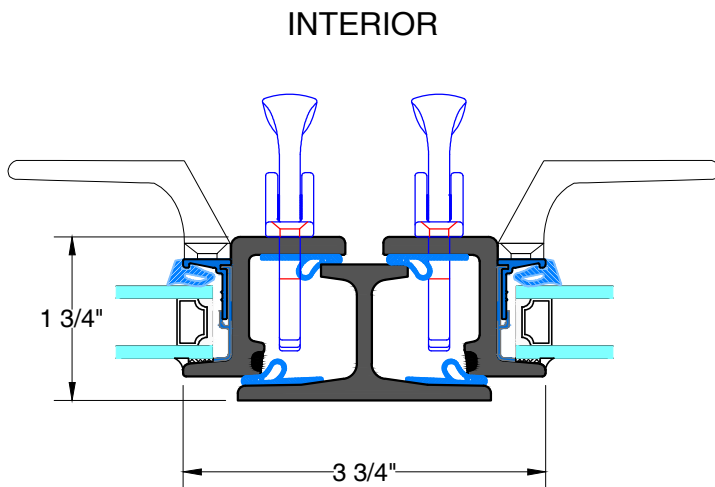
EXTERIOR

A&B TYPICAL HINGED JAMB



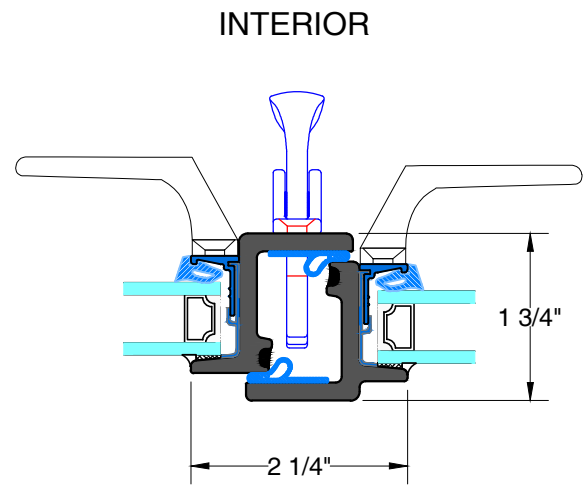
EXTERIOR

C TYPICAL LOCKING JAMB



EXTERIOR

D TYPICAL DOUBLE MEETING RAIL



EXTERIOR

E TYPICAL FRENCH MEETING RAIL



RELIANT HR4500-IC_{SERIES}

Typical Details

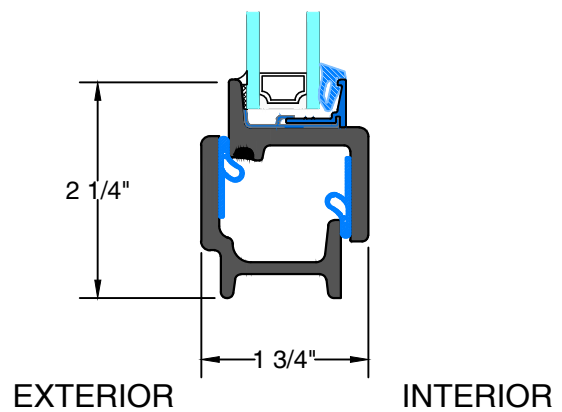
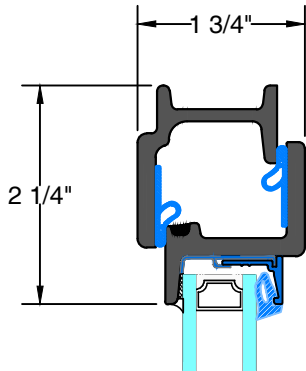
INSWING CASEMENTS / FIXED

Scale: Half Scale

PAGE 4 OF 7

EXTERIOR

INTERIOR



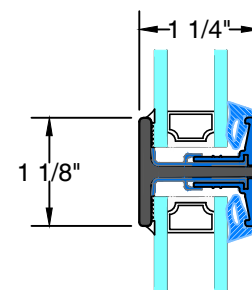
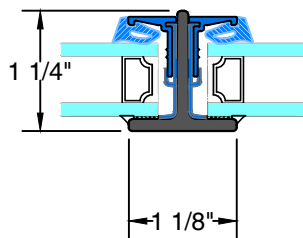
F TYPICAL HEAD

G TYPICAL SILL

EXTERIOR

INTERIOR

INTERIOR



H TYPICAL VERTICAL MUNTIN

J TYPICAL HORIZONTAL MUNTIN



28 Canal Street, Ellenville, NY 12428
Phone (845) 647-1900

RELIANT HR4500-IC_{SERIES}

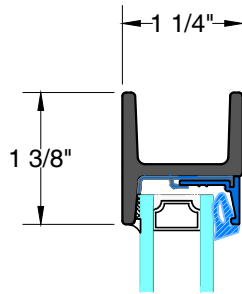
Typical Details

INSWING CASEMENTS / FIXED
Scale: Half Scale

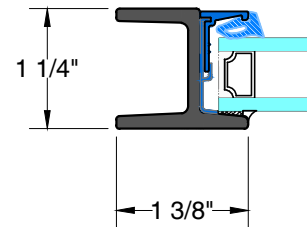
PAGE 5 OF 7

EXTERIOR

INTERIOR



INTERIOR



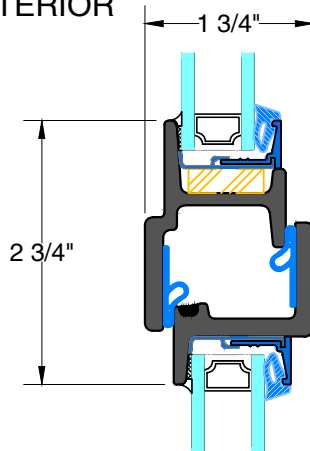
EXTERIOR

K&L TYPICAL FIXED
HEAD & SILL

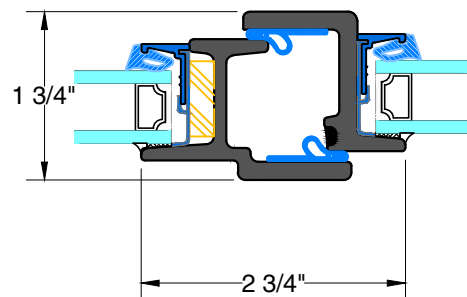
M&N TYPICAL FIXED
JAMB

EXTERIOR

INTERIOR



INTERIOR



EXTERIOR

P TYPICAL HEAD
W/ TRANSOM

R TYPICAL JAMB
W/ SIDELITE



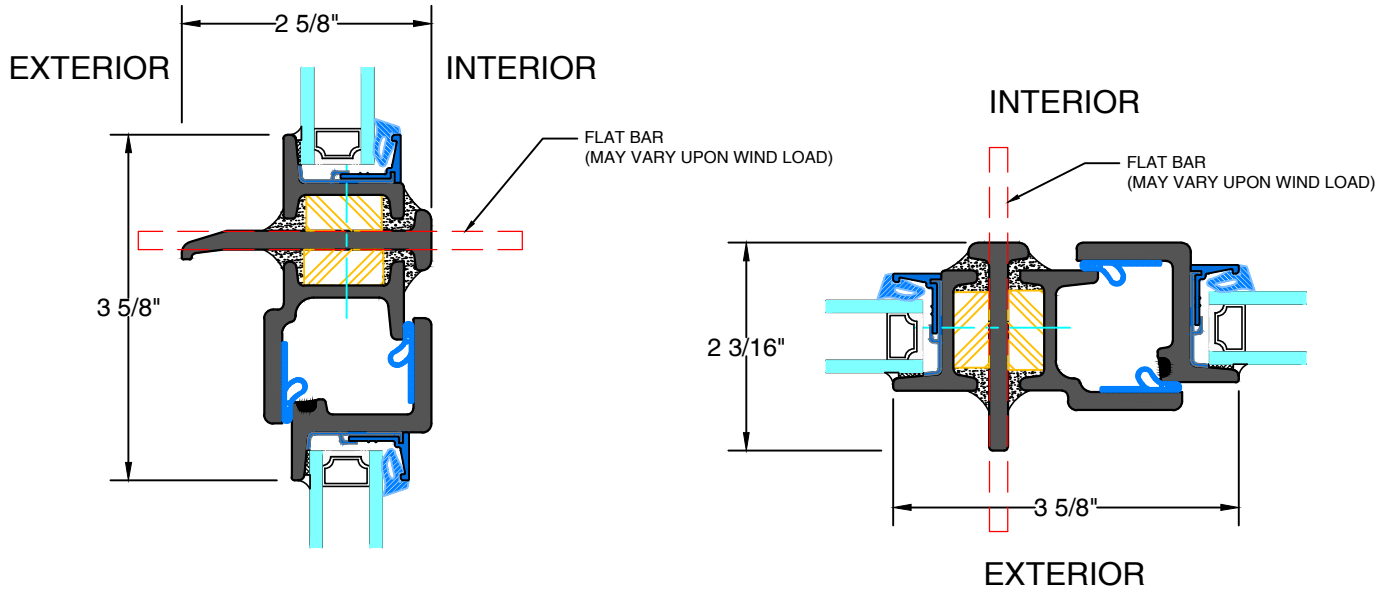
28 Canal Street, Ellenville, NY 12428
Phone (845) 647-1900

RELIANT HR4500-IC_{SERIES}

Typical Details

INSWING CASEMENTS / FIXED
Scale: Half Scale

PAGE 6 OF 7



S TYPICAL STACKING MULLION

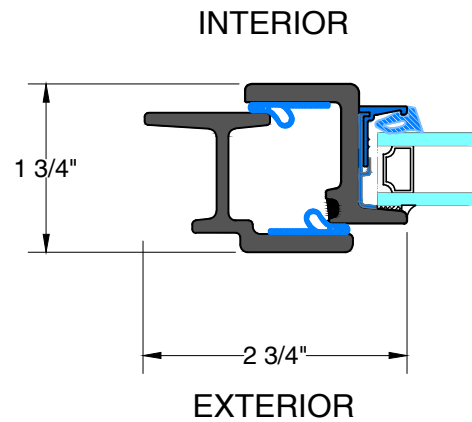
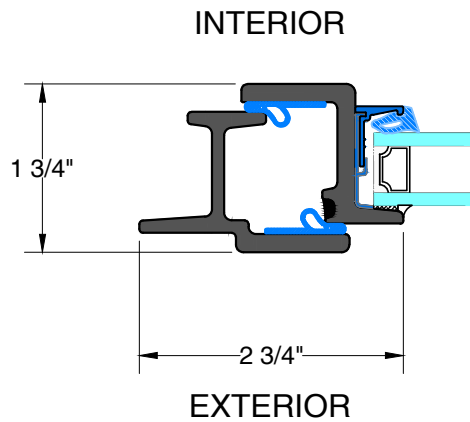
T TYPICAL JOINING MULLION



Typical Details

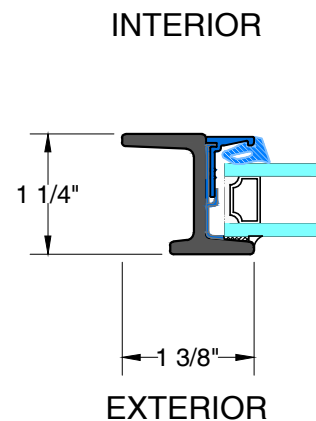
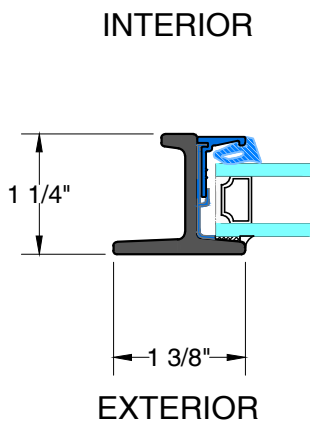
INSWING CASEMENTS / FIXED
Scale: Half Scale

OPTIONAL FLANGE FRAME



1 TYPICAL JAMB
EXTERIOR FLANGE

2 TYPICAL JAMB
INTERIOR FLANGE



3 TYPICAL FIXED
EXTERIOR FLANGE

4 TYPICAL FIXED
INTERIOR FLANGE

