

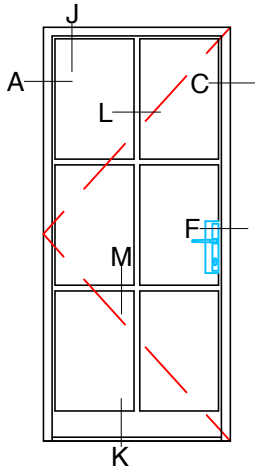
RELIANT HR4500-ID_{SERIES}

Typical Exterior Elevations

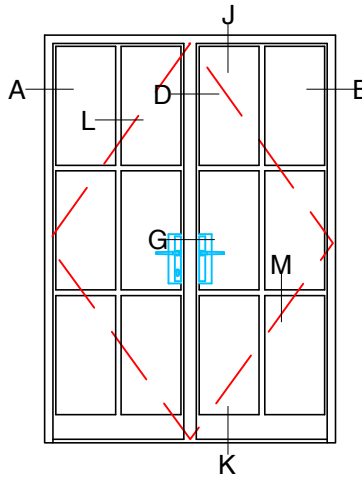
INSWING CASEMENTS / FIXED

Scale: Not To Scale

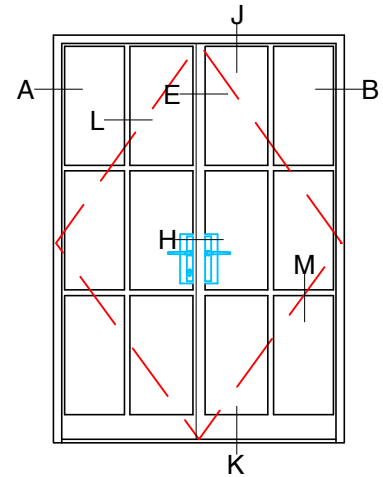
PAGE 1 OF 7



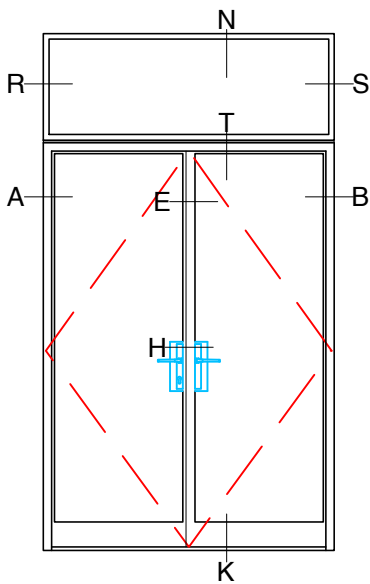
HR4523-ID



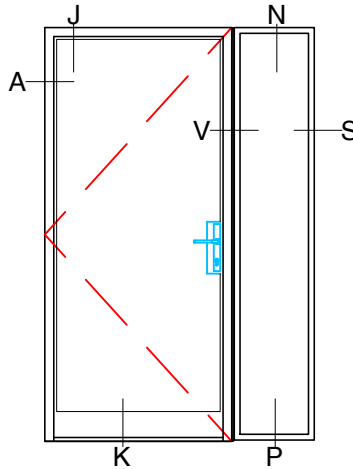
HR4543-DB-ID



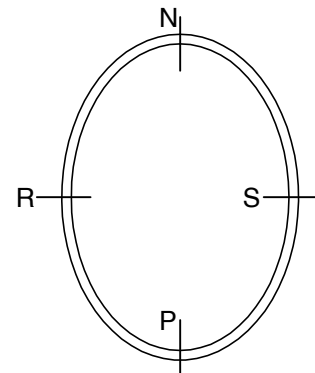
HR4543-FR-ID



HR4522-FR-ID-FX



HR4521-ID-FX

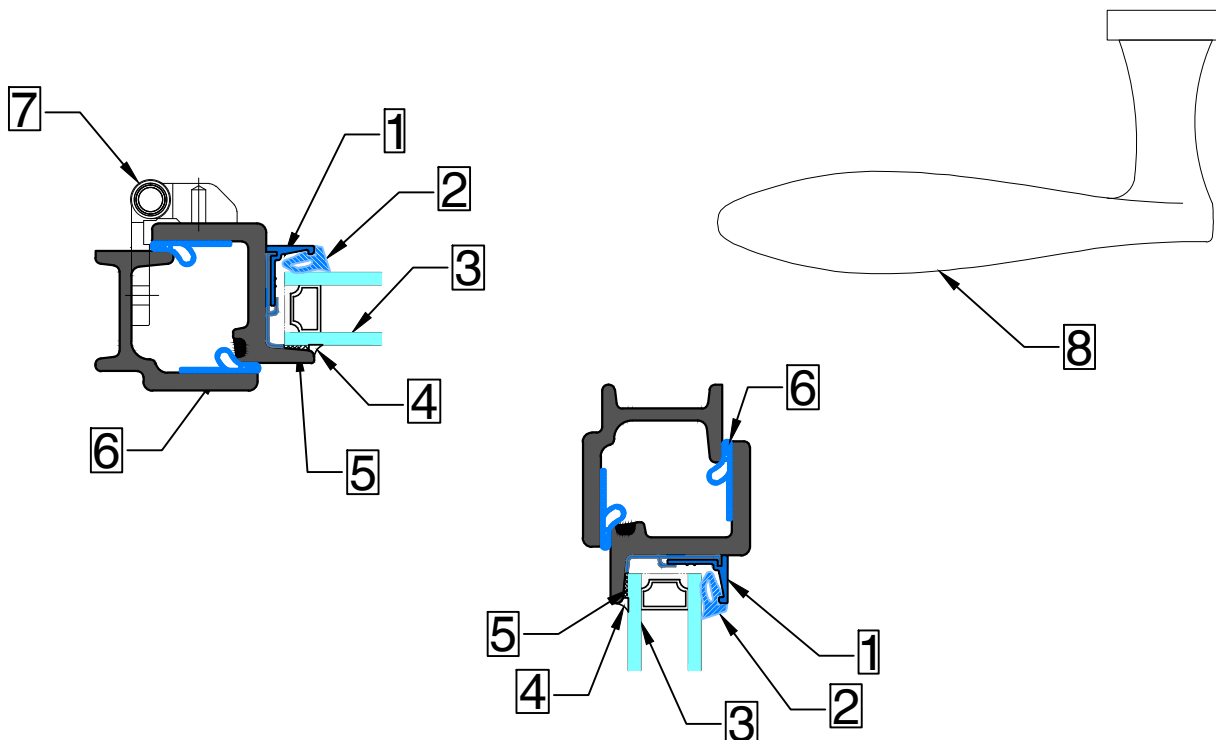


HR4511-FX-OVAL



KEY (TYPICAL)

1. SNAP IN ALUMINUM GLAZING BEAD (OTHER OPTIONS AVAILABLE)
2. EXTRUDED SILICONE WEDGE GASKET (BY OWM)
3. GLASS AND GLAZING (BY OTHERS)
4. SILICONE CAP BEAD (BY OTHERS)
5. FOAM GLAZING TAPE (BY OTHERS)
6. WEATHER STRIPPING (EPDM)
7. ALUMINUM BUTT HINGE (OTHER OPTIONS AVAILABLE)
8. RUSTIC UMBER RODOS HANDLE (OTHER OPTIONS AND FINISHES AVAILABLE)

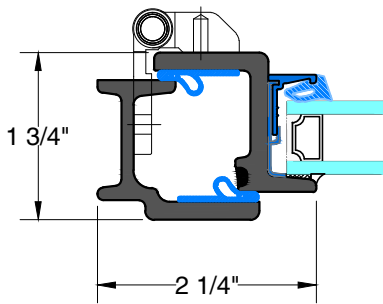


Typical Details

INSWING CASEMENTS / FIXED

Scale: Half Scale

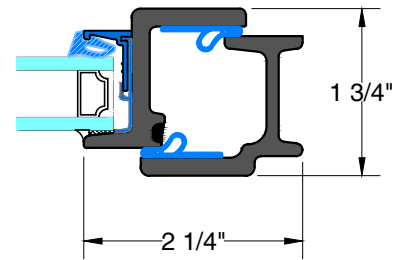
INTERIOR



EXTERIOR

A&B TYPICAL HINGED JAMB

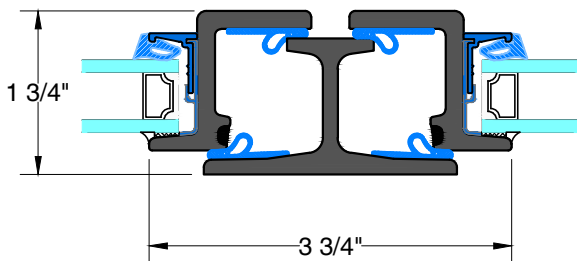
INTERIOR



EXTERIOR

C TYPICAL LOCKING JAMB

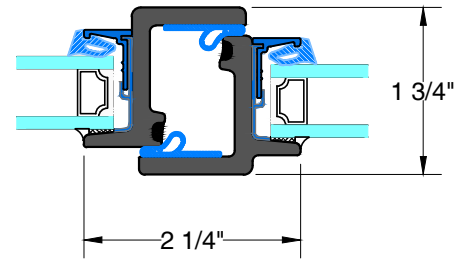
INTERIOR



EXTERIOR

D TYPICAL DOUBLE MEETING RAIL

INTERIOR



EXTERIOR

E TYPICAL FRENCH MEETING RAIL



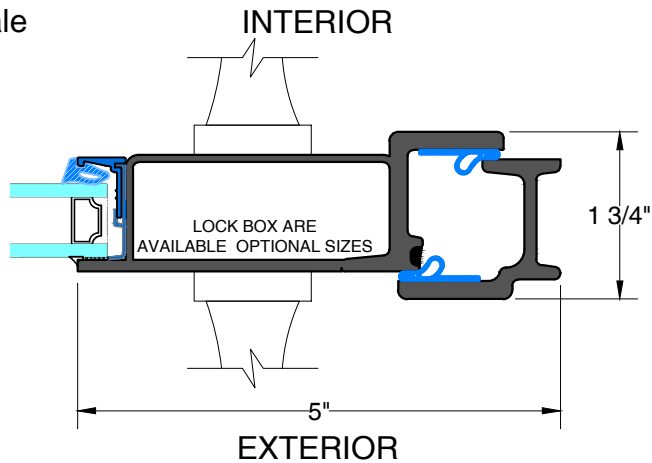
RELIANT HR4500-ID_{SERIES}

Typical Details

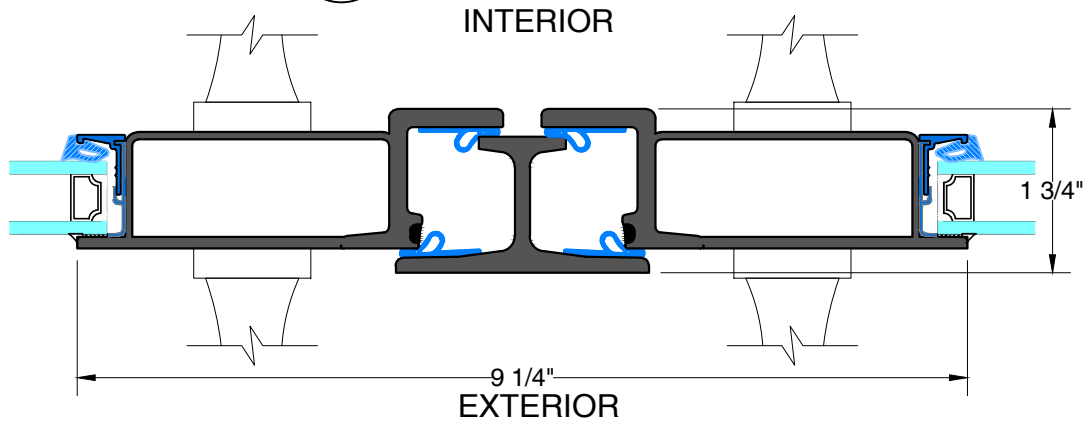
INSWING CASEMENTS / FIXED

Scale: Half Scale

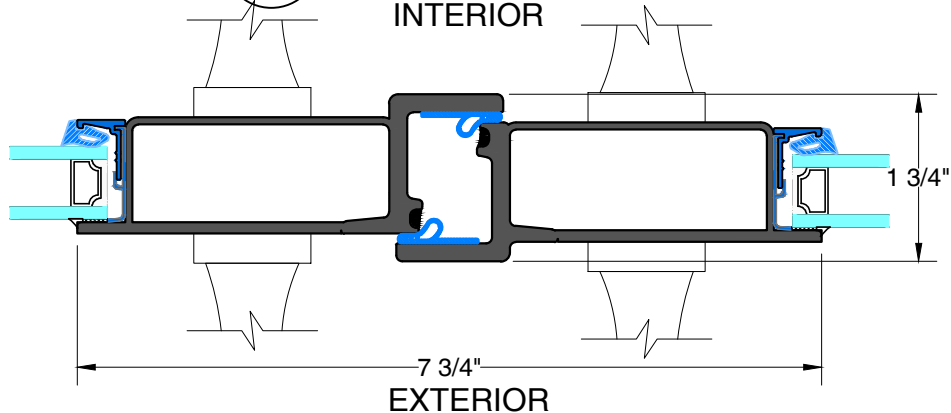
PAGE 4 OF 7



F TYPICAL SINGLE LOCKBOX



G TYPICAL DOUBLE W/ ATRAGAL LOCKBOX



H TYPICAL FRENCH LOCKBOX



28 Canal Street, Ellenville, NY 12428
Phone (845) 647-1900

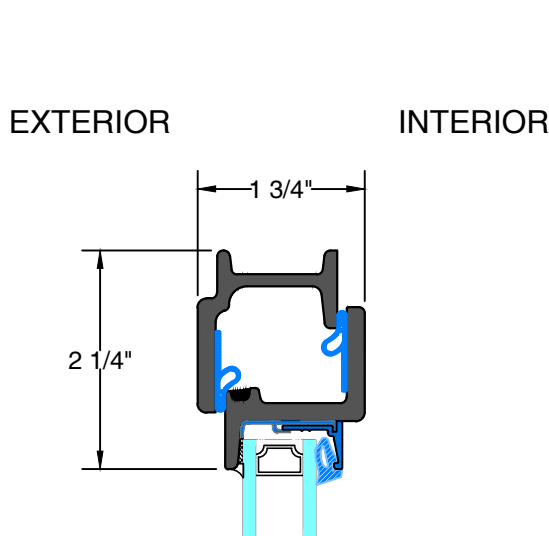
RELIANT HR4500-ID_{SERIES}

Typical Details

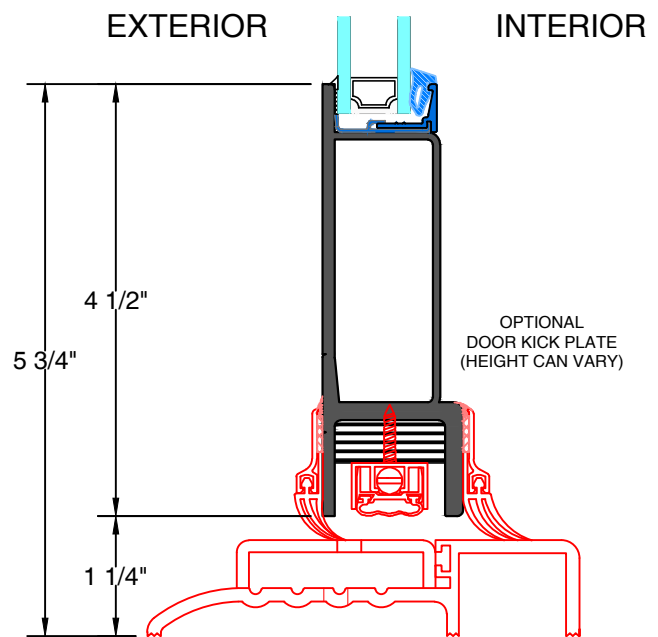
INSWING CASEMENTS / FIXED

Scale: Half Scale

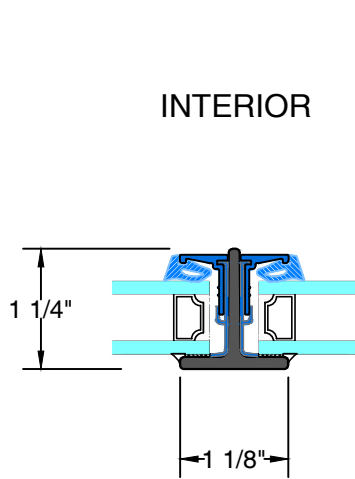
PAGE 5 OF 7



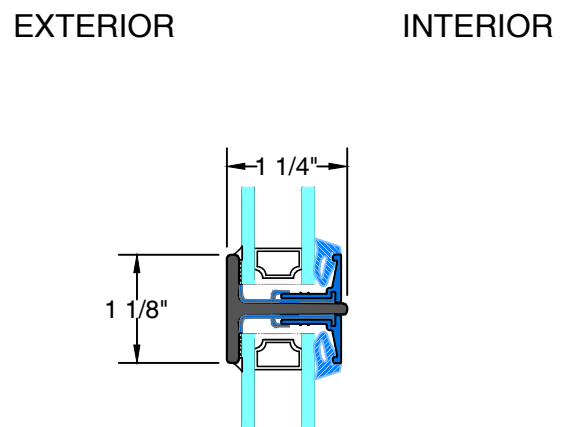
J TYPICAL HEAD



K TYPICAL KICKPLATE



L TYPICAL VERTICAL MUNTIN



M TYPICAL HORIZONTAL MUNTIN



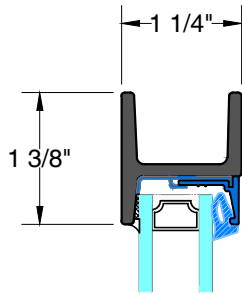
RELIANT HR4500-ID_{SERIES}

Typical Details

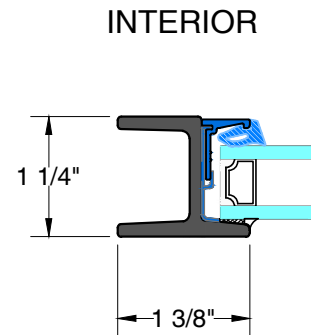
INSWING CASEMENTS / FIXED
Scale: Half Scale

PAGE 6 OF 7

EXTERIOR



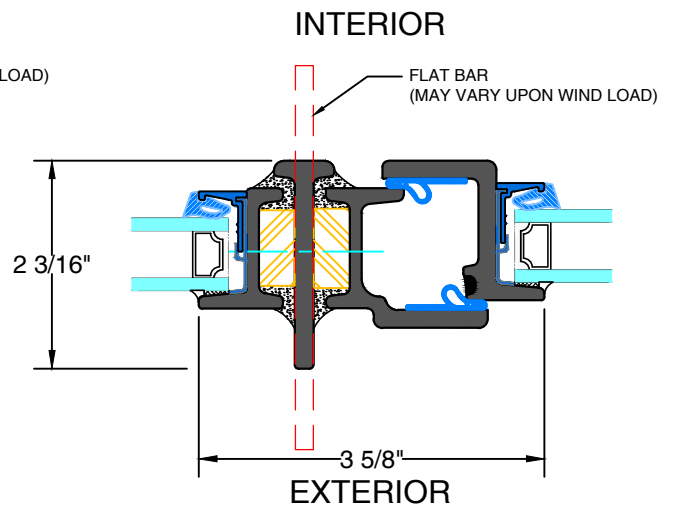
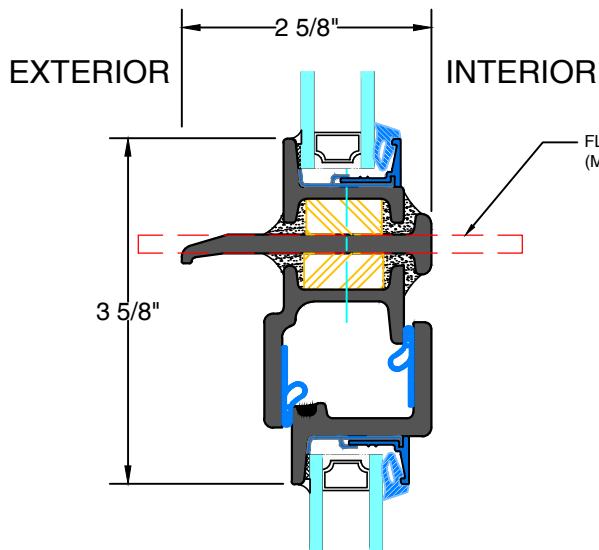
INTERIOR



EXTERIOR

N&P TYPICAL FIXED
HEAD & SILL

R&S TYPICAL FIXED
JAMB



T TYPICAL
STACKING MULLION

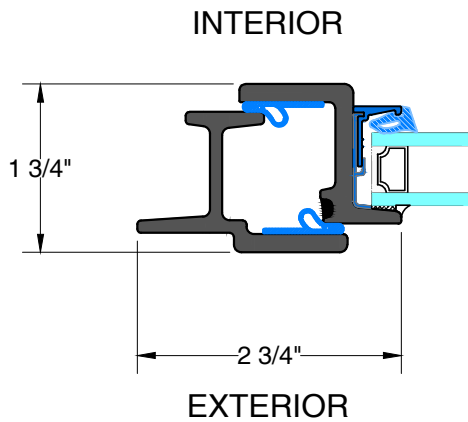
V TYPICAL
JOINING MULLION



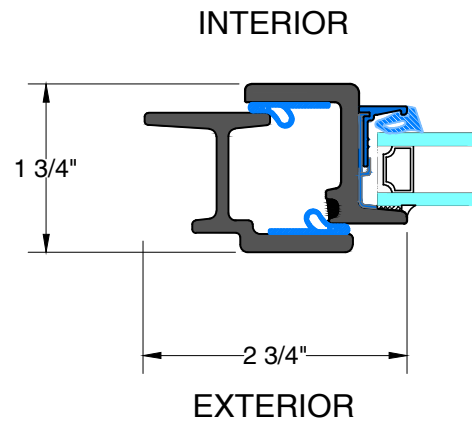
Typical Details

INSWING CASEMENTS / FIXED
Scale: Half Scale

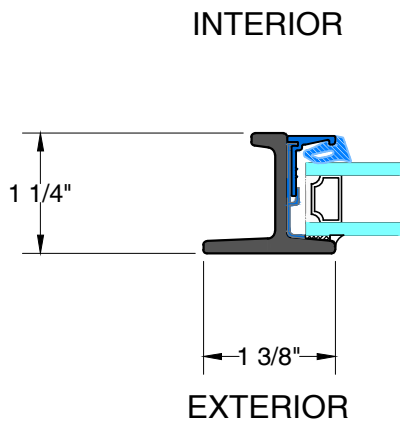
OPTIONAL FLANGE FRAME



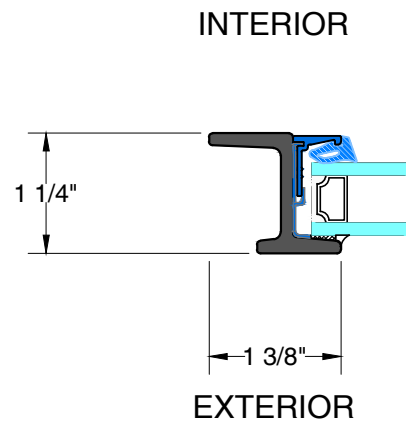
1 TYPICAL JAMB
EXTERIOR FLANGE



2 TYPICAL JAMB
INTERIOR FLANGE



3 TYPICAL FIXED
EXTERIOR FLANGE



4 TYPICAL FIXED
INTERIOR FLANGE



