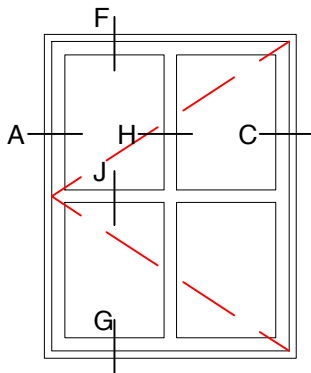


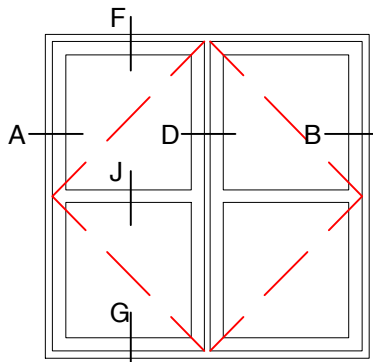
Typical Exterior Elevations

OUTSWING CASEMENTS / FIXED

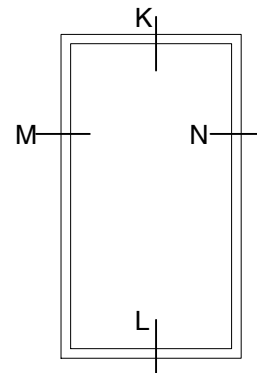
Scale: Not To Scale



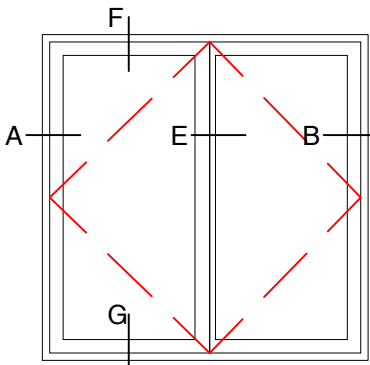
HR4522-OC



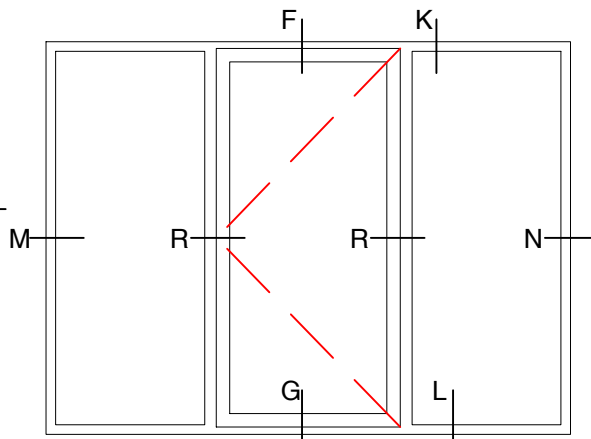
HR4522-DB-OC



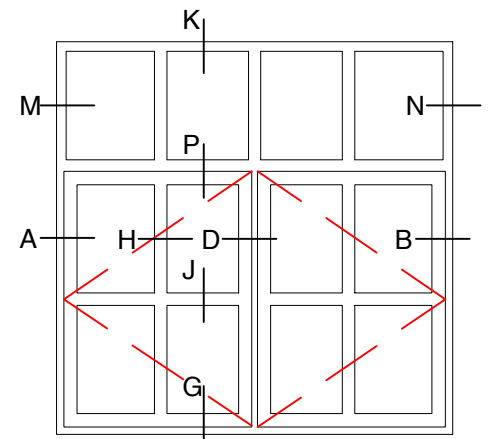
HR4511-FX



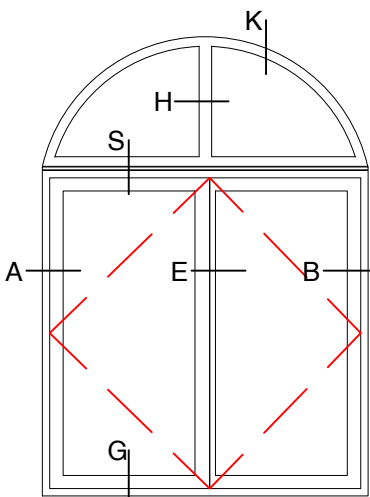
HR4521-FR-OC



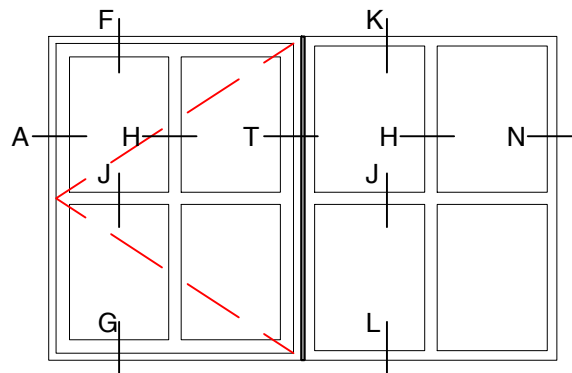
HR4531-OC-FX



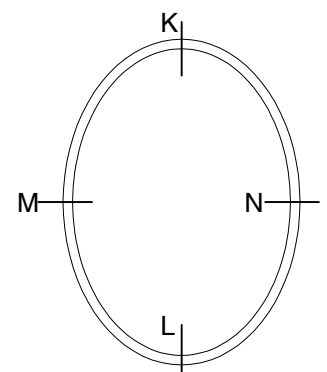
HR4543-DB-OC-FX



HR4522-FR-OC-FX ARCH



HR4542-OC-FX

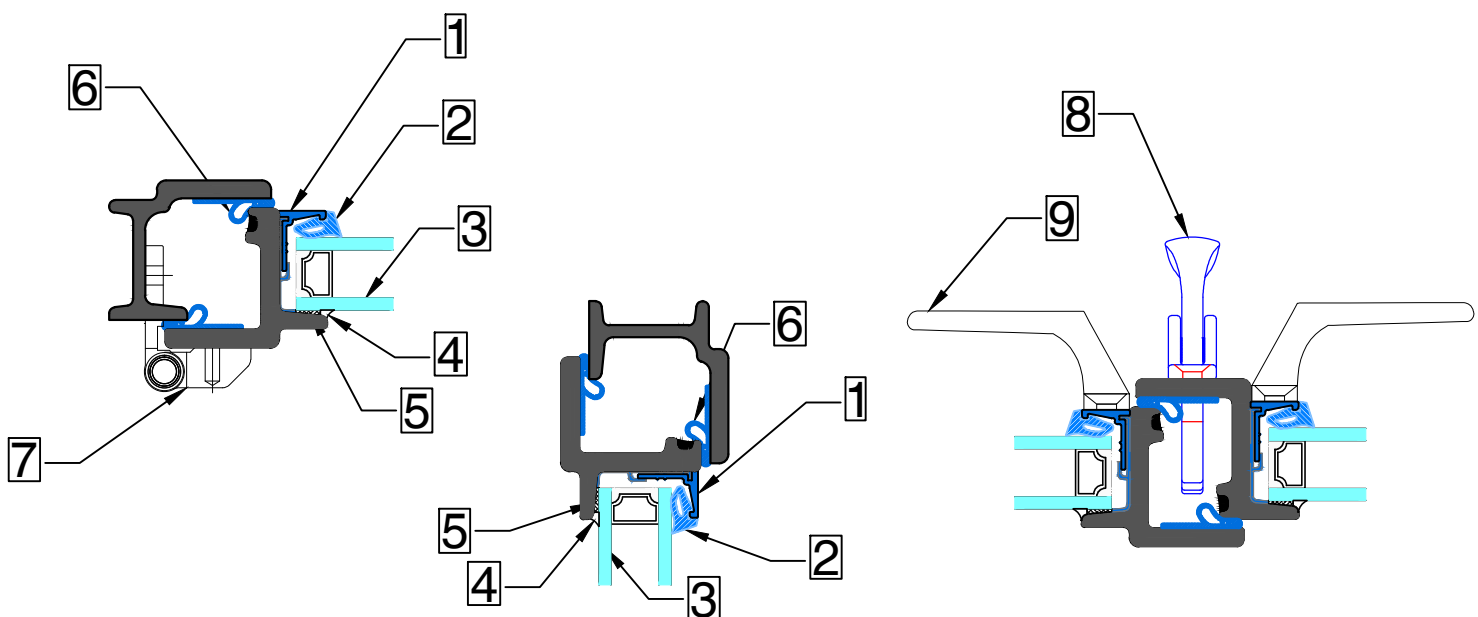


HR4511-FX OVAL



KEY (TYPICAL)

1. SNAP IN ALUMINUM GLAZING BEAD (OTHER OPTIONS AVAILABLE)
2. EXTRUDED SILICONE WEDGE GASKET (BY OWM)
3. GLASS AND GLAZING (BY OTHERS)
4. SILICONE CAP BEAD (BY OTHERS)
5. FOAM GLAZING TAPE (BY OTHERS)
6. WEATHER STRIPPING (EPDM)
7. ALUMINUM BUTT HINGE (OTHER OPTIONS AVAILABLE)
8. WHITE BRONZE PROJECT IN FASTENER WITH KEEPER
*NOTE: WHITE BRONZE HARDWARE IS OWM'S STANDARD (OTHER OPTIONS AND FINISHES AVAILABLE)
9. WHITE BRONZE T-PULL (LOCATED 4" ABOVE FASTENER)

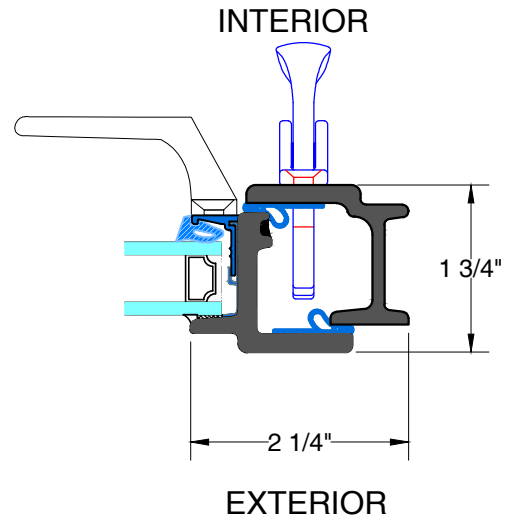
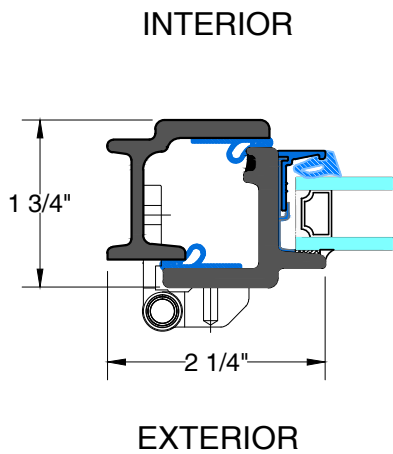


RELIANT HR4500-OC_{SERIES}

Typical Details

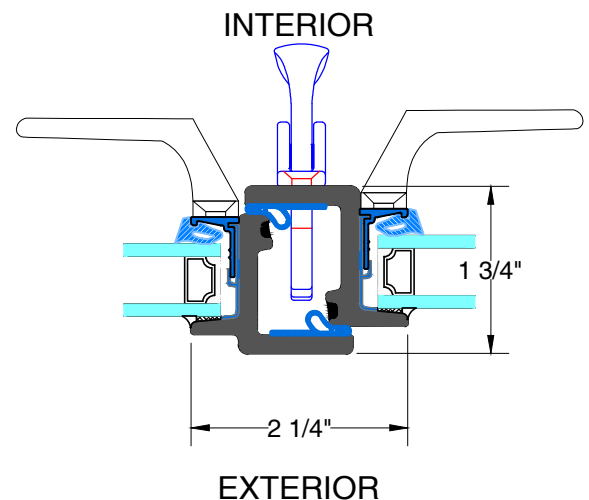
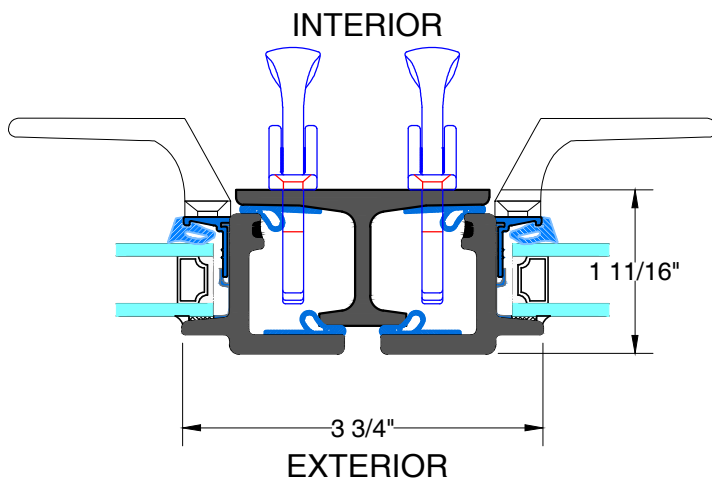
OUTSWING CASEMENTS / FIXED
Scale: Half Scale

PAGE 3 OF 6



A&B TYPICAL HINGED JAMB

C TYPICAL LOCKING JAMB



D TYPICAL MEETING RAIL

E TYPICAL FRENCH MEETING RAIL



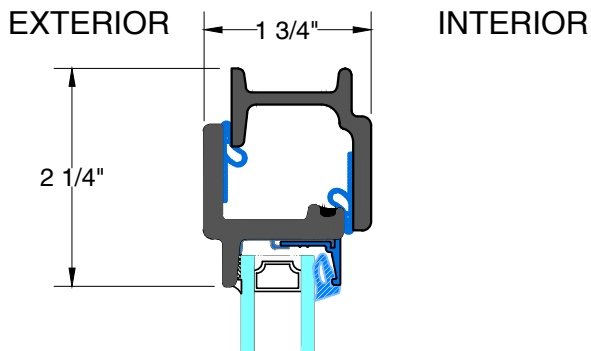
28 Canal Street, Ellenville, NY 12428
Phone (845) 647-1900

RELIANT HR4500-OC_{SERIES}

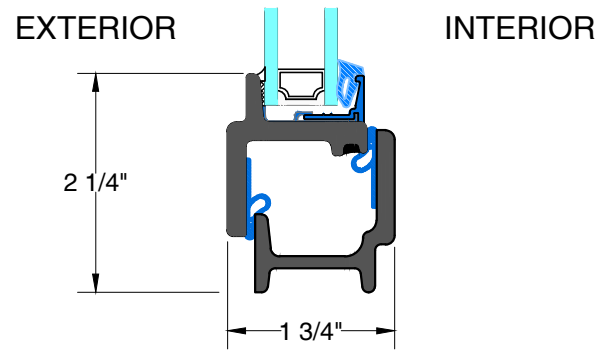
Typical Details

OUTSWING CASEMENTS / FIXED
Scale: Half Scale

PAGE 4 OF 6

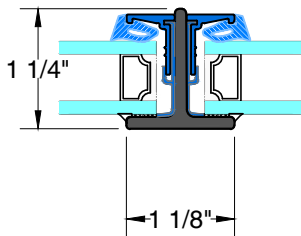


F TYPICAL HEAD



G TYPICAL SILL

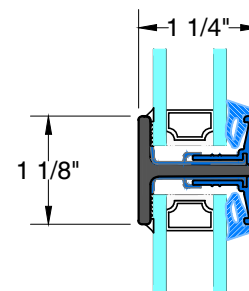
INTERIOR



EXTERIOR

H TYPICAL VERTICAL MUNTIN

EXTERIOR INTERIOR



J TYPICAL HORIZONTAL MUNTIN



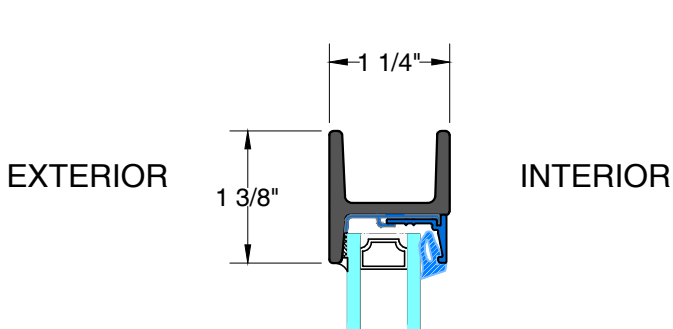
28 Canal Street, Ellenville, NY 12428
Phone (845) 647-1900

RELIANT HR4500-OC_{SERIES}

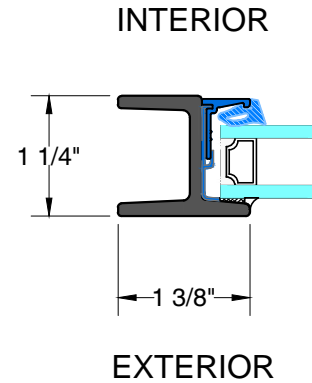
Typical Details

OUTSWING CASEMENTS / FIXED
Scale: Half Scale

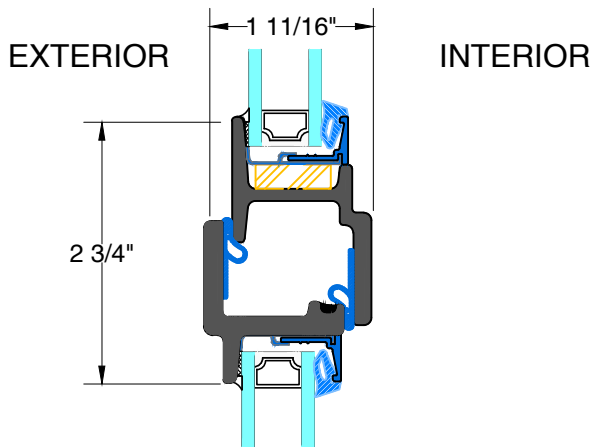
PAGE 5 OF 6



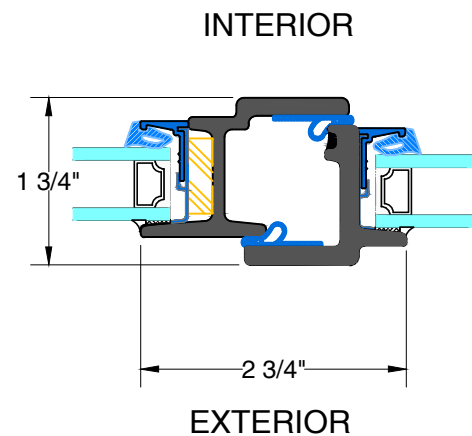
K&L TYPICAL FIXED
HEAD & SILL



M&N TYPICAL FIXED
JAMB



P TYPICAL HEAD
W/ TRANSOM



R TYPICAL JAMB
W/ SIDELITE

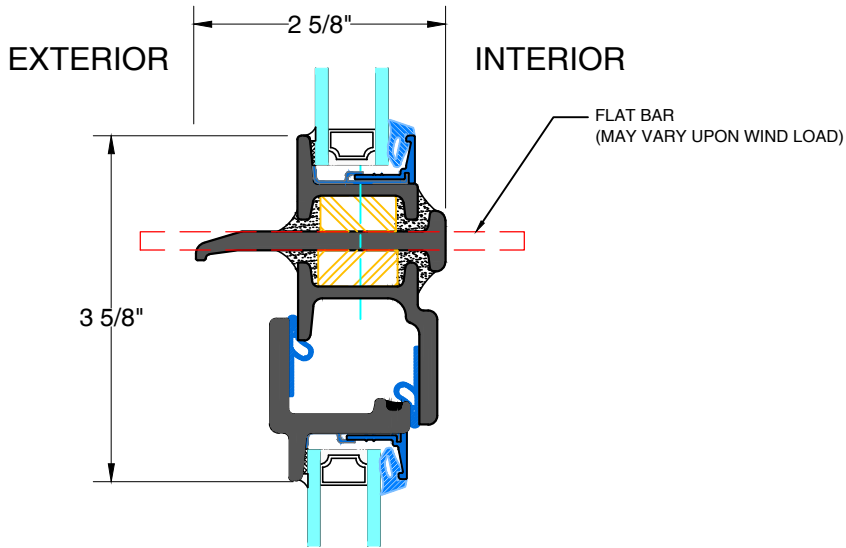


RELIANT HR4500-OC_{SERIES}

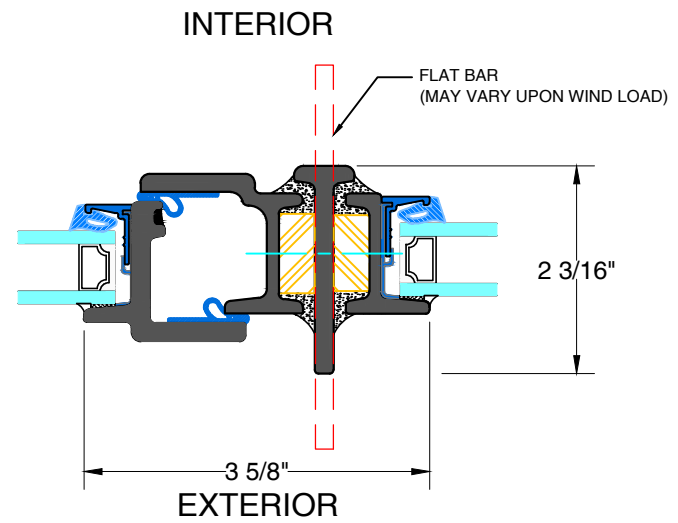
Typical Details

OUTSWING CASEMENTS / FIXED
Scale: Half Scale

PAGE 6 OF 6

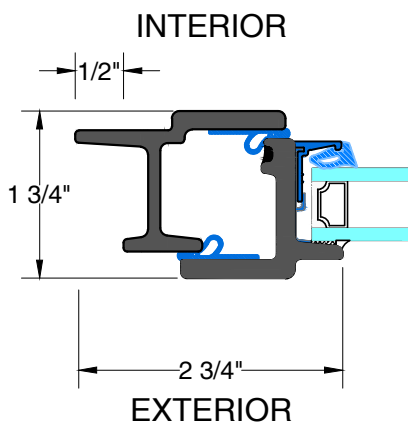


S TYPICAL STACKING
MULLION

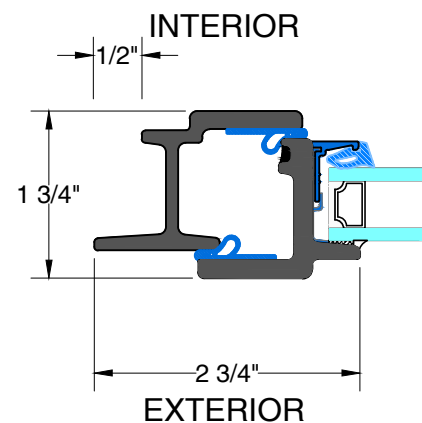


T TYPICAL JOINING
MULLION

OPTIONAL FLANGE FRAME



1 TYPICAL JAMB
INTERIOR FLANGE



2 TYPICAL JAMB
EXTERIOR FLANGE



28 Canal Street, Ellenville, NY 12428
Phone (845) 647-1900

