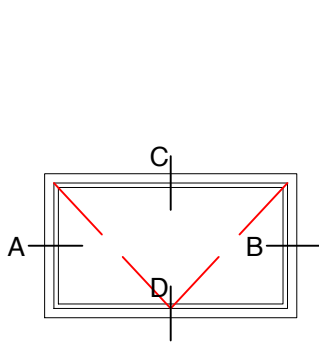


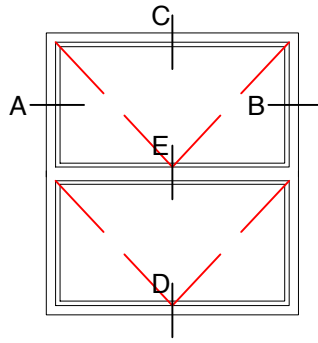
Typical Exterior Elevations

INSWING CASEMENTS / FIXED

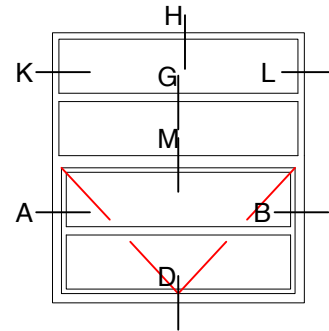
Scale: Not To Scale



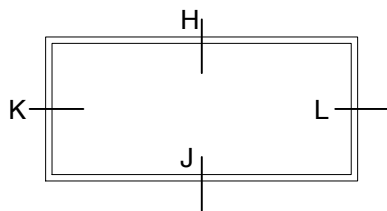
HR4511-PI



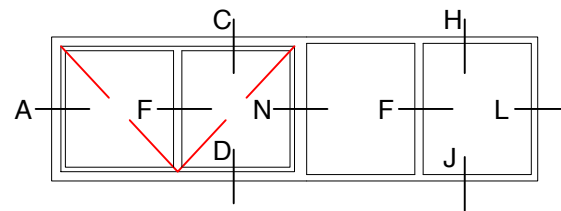
HR4512-PI-PI



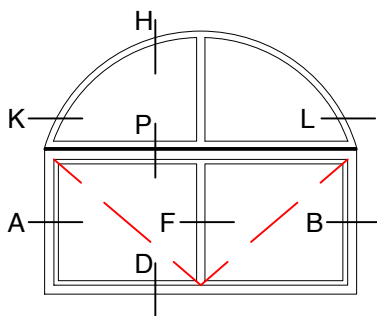
HR4514-PI-FX



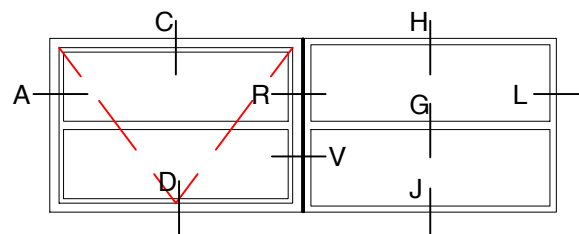
HR4511-FX



HR4541-PI-FX



HR4522-PI-FX ARCH



HR4522-PI-FX



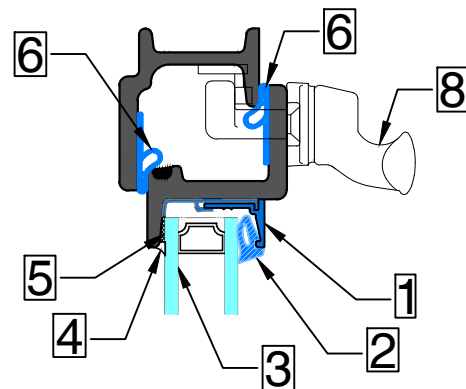
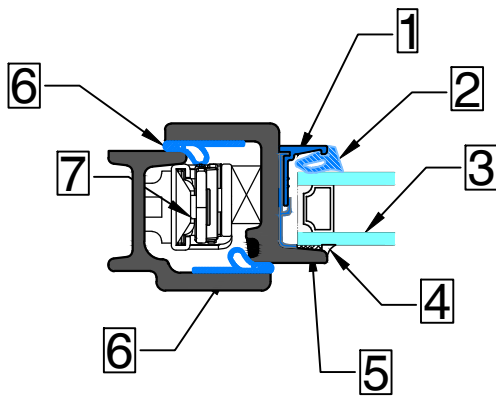
Typical Details

INSWING CASEMENTS / FIXED
Scale: Half Scale

PAGE 2 OF 6

KEY (TYPICAL)

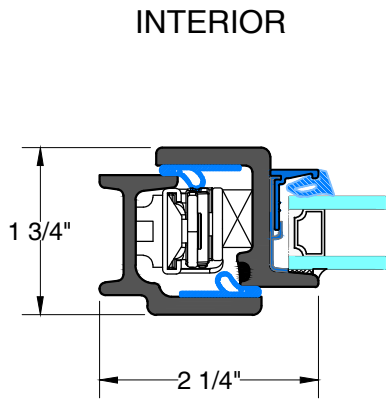
1. SNAP IN ALUMINUM GLAZING (BEAD OTHER OPTIONS AVAILABLE)
2. EXTRUDED SILICONE WEDGE GASKET (BY OWM)
3. GLASS AND GLAZING (BY OTHERS)
4. SILICONE CAP BEAD (BY OTHERS)
5. FOAM GLAZING TAPE (BY OTHERS)
6. WEATHER STRIPPING (EPDM)
7. STAINLESS STEEL 4-BAR HINGE
8. WHITE BRONZE PROJECT IN FASTENER WITH KEEPER
*NOTE: WHITE BRONZE HARDWARE IS OWM'S STANDARD (OTHER OPTIONS AND FINISHES AVAILABLE)



Typical Details

INSWING CASEMENTS / FIXED

Scale: Half Scale

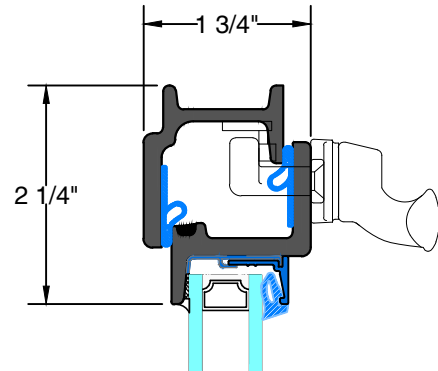


EXTERIOR

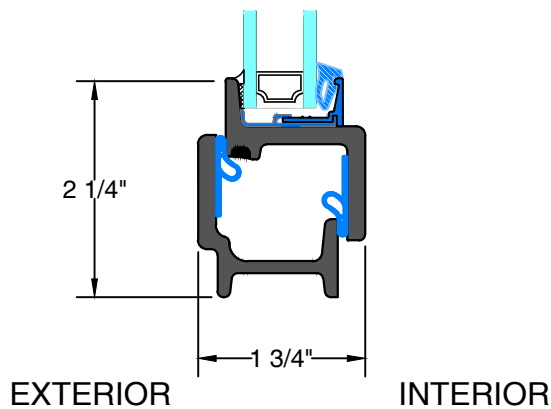
A&B — **TYPICAL HINGED JAMB**

EXTERIOR

INTERIOR



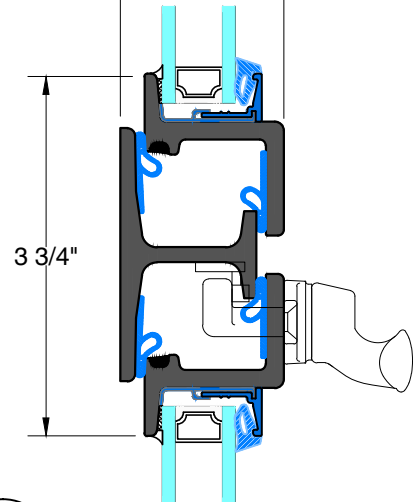
C — **TYPICAL HEAD**



D — **TYPICAL SILL**

EXTERIOR

INTERIOR



E — **TYPICAL STACKING MULLION**



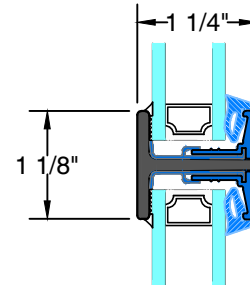
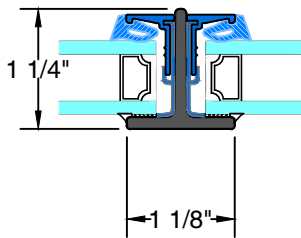
Typical Details

INSWING CASEMENTS / FIXED
Scale: Half Scale

EXTERIOR

INTERIOR

INTERIOR



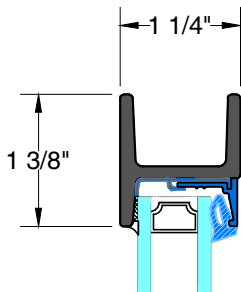
EXTERIOR

F TYPICAL VERTICAL MUNTIN

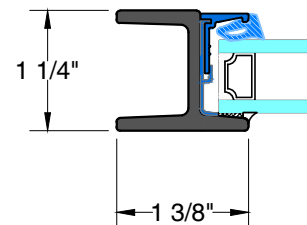
G TYPICAL HORIZONTAL MUNTIN

EXTERIOR

INTERIOR



INTERIOR



EXTERIOR

H&J TYPICAL FIXED HEAD & SILL

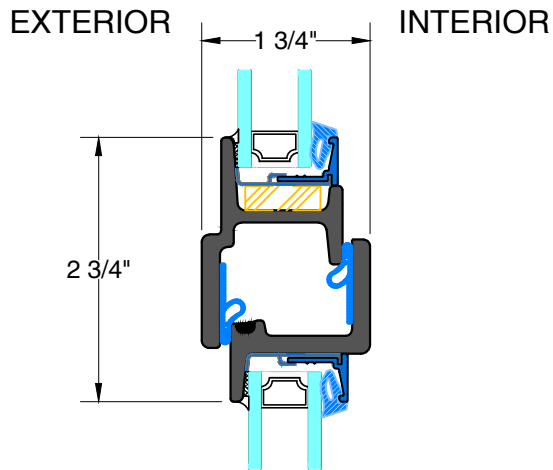
K&L TYPICAL FIXED JAMB



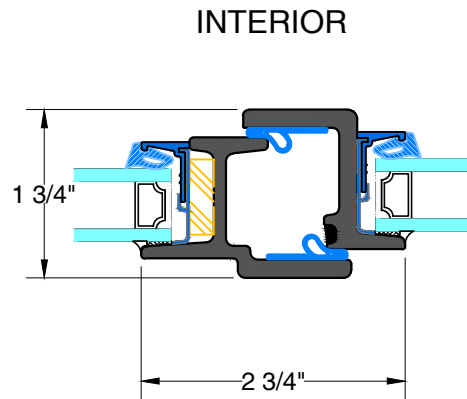
Typical Details

INSWING CASEMENTS / FIXED

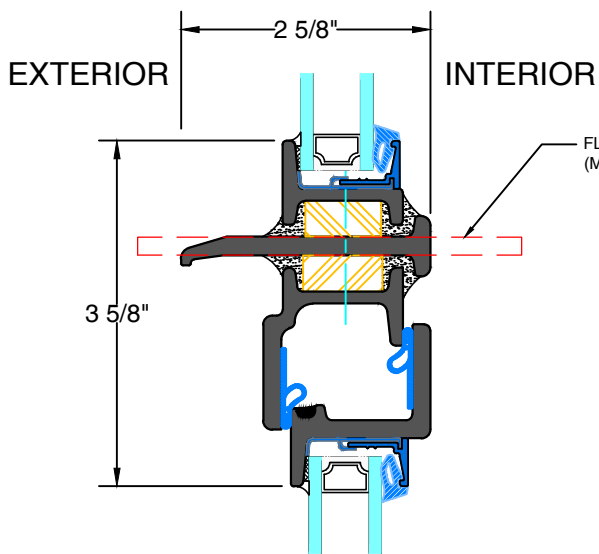
Scale: Half Scale



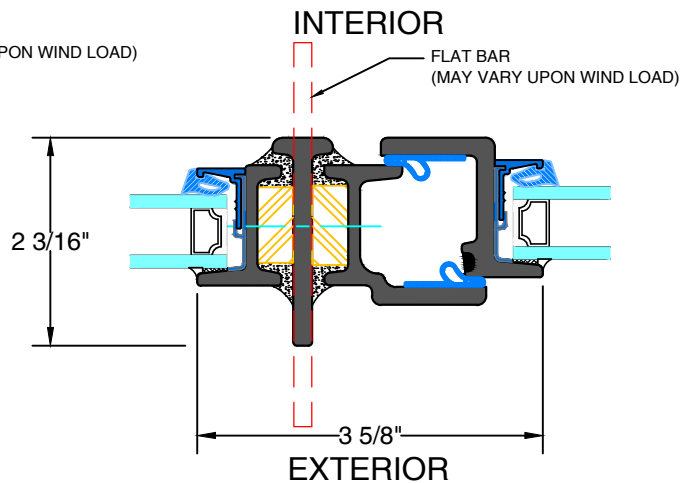
M TYPICAL HEAD
W/ TRANSOM



N TYPICAL JAMB
W/ SIDELITE



P TYPICAL
STACKING MULLION



R TYPICAL
JOINING MULLION



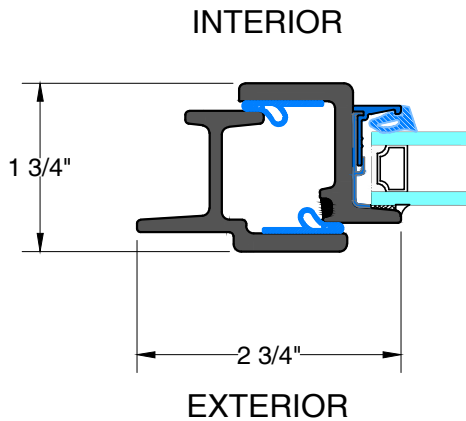
RELIANT HR4500-PI_{SERIES}

Typical Details

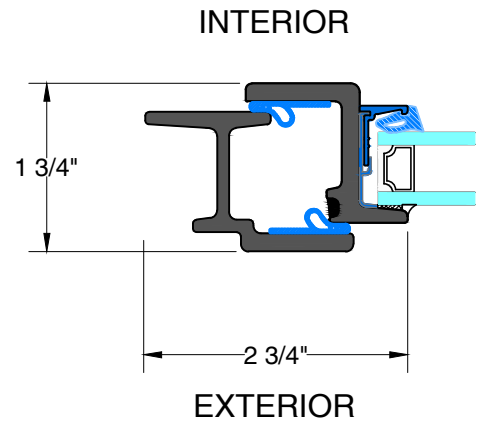
INSWING CASEMENTS / FIXED
Scale: Half Scale

PAGE 6 OF 6

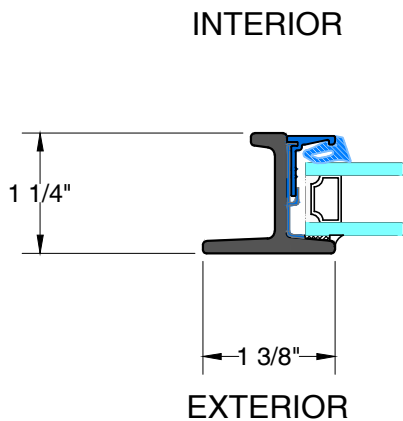
OPTIONAL FLANGE FRAME



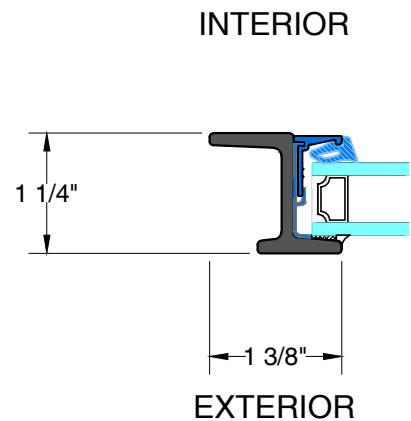
1 TYPICAL JAMB
EXTERIOR FLANGE



2 TYPICAL JAMB
INTERIOR FLANGE



3 TYPICAL FIXED
EXTERIOR FLANGE



4 TYPICAL FIXED
INTERIOR FLANGE



28 Canal Street, Ellenville, NY 12428
Phone (845) 647-1900

