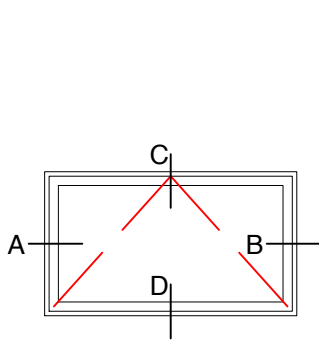
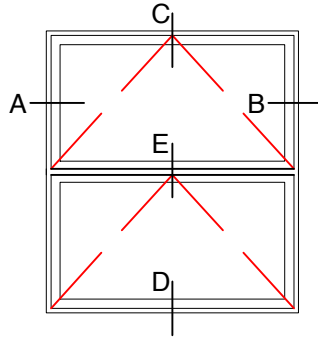


Typical Exterior Elevations

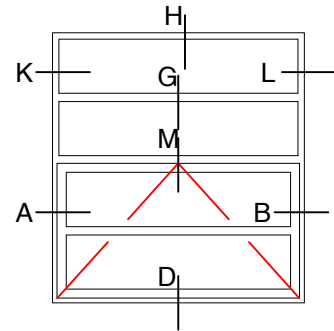
PROJECT OUT / FIXED
Scale: Not To Scale



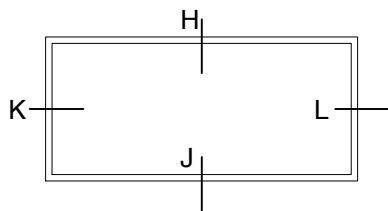
HR4511-PO



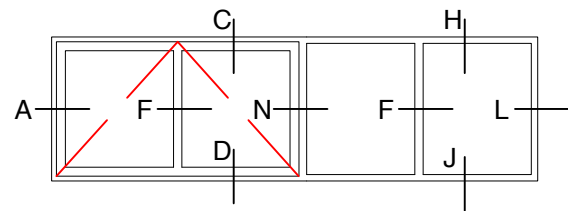
HR4512-PO-PO



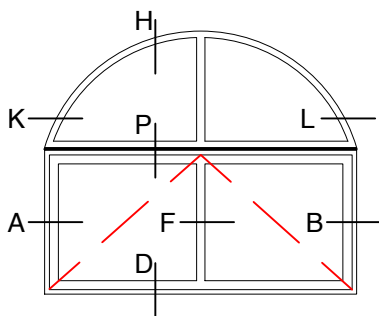
HR4514-PO-FX



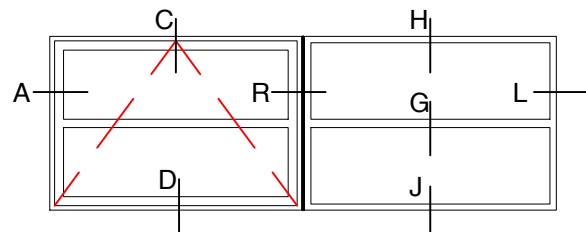
HR4511-FX



HR4541-PO-FX



HR4522-PO-FX ARCH

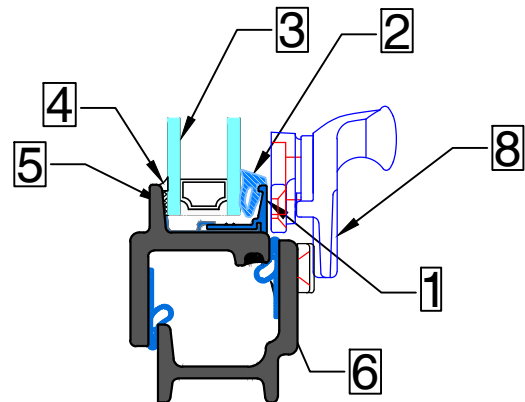
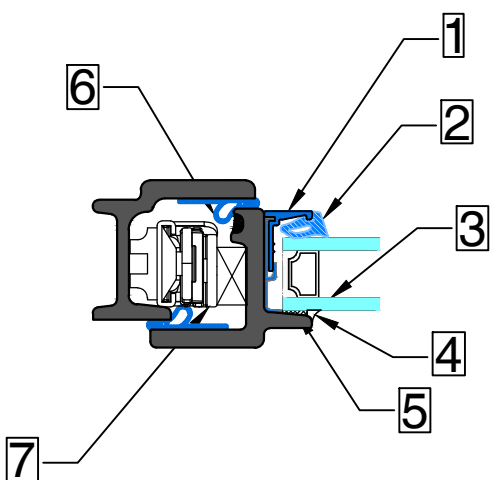


HR4522-PO-FX



KEY (TYPICAL)

1. SNAP IN ALUMINUM GLAZING BEAD (OTHER OPTIONS AVAILABLE)
 2. EXTRUDED SILICONE WEDGE GASKET (BY OWM)
 3. GLASS AND GLAZING (BY OTHERS)
 4. SILICONE CAP BEAD (BY OTHERS)
 5. FOAM GLAZING TAPE (BY OTHERS)
 6. WEATHER STRIPPING (EPDM)
 7. STAINLESS STEEL 4-BAR HINGE
 8. WHITE BRONZE PROJECT IN FASTENER WITH KEEPER
- *NOTE: WHITE BRONZE HARDWARE IS OWM'S STANDARD (OTHER OPTIONS AND FINISHES AVAILABLE)

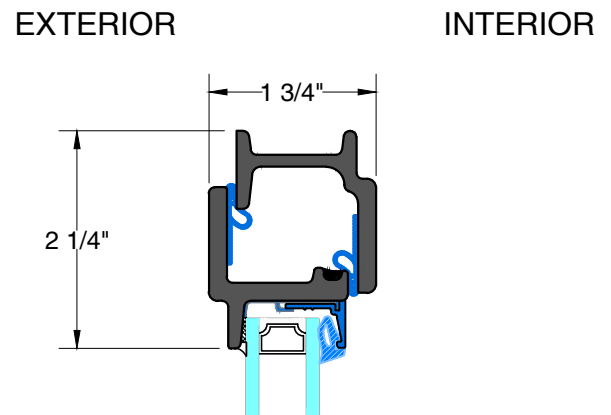
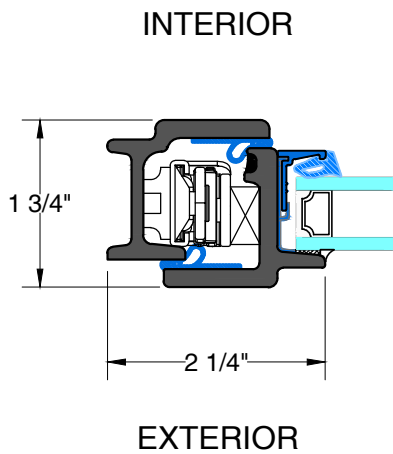


RELIANT HR4500-PO_{SERIES}

Typical Details

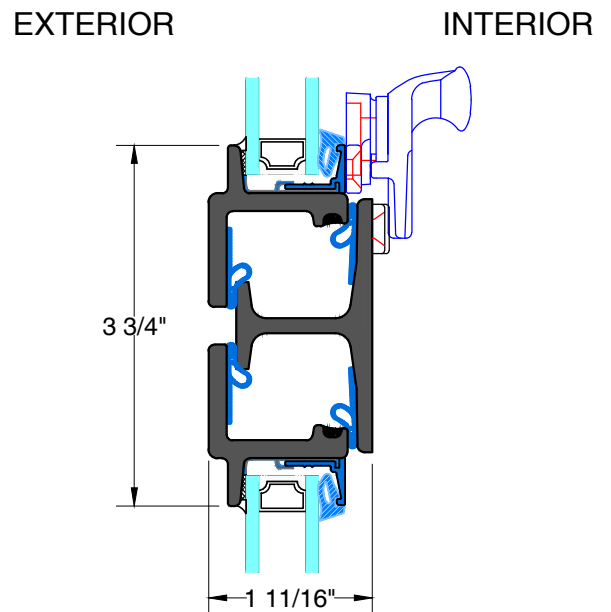
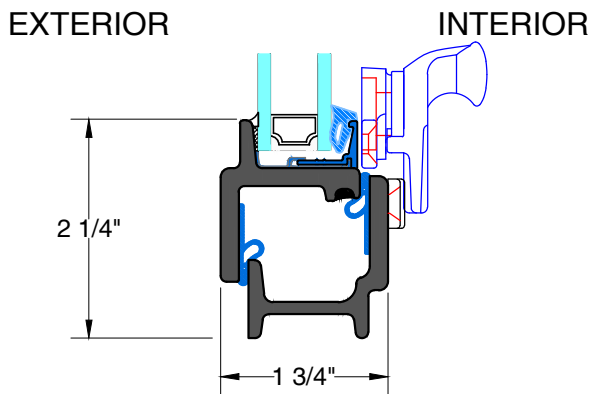
PROJECT OUT / FIXED
Scale: Half Scale

PAGE 3 OF 6



A&B TYPICAL HINGED JAMB

C TYPICAL HEAD



D TYPICAL SILL

E TYPICAL STACKING JOINT

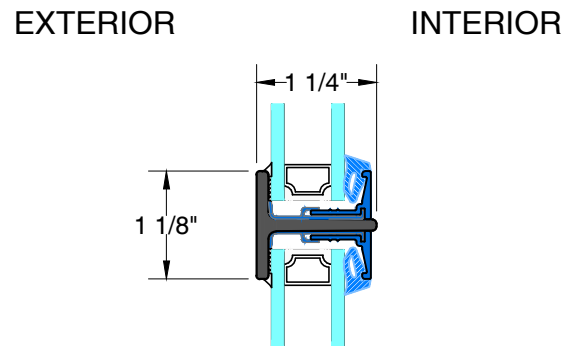
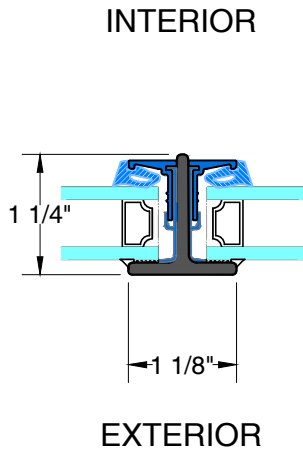


RELIANT HR4500-PO_{SERIES}

Typical Details

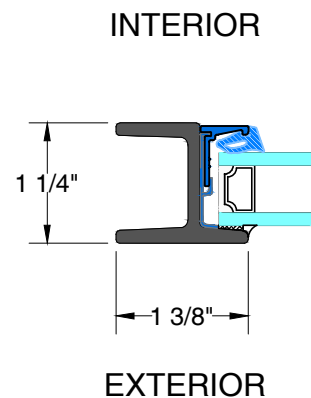
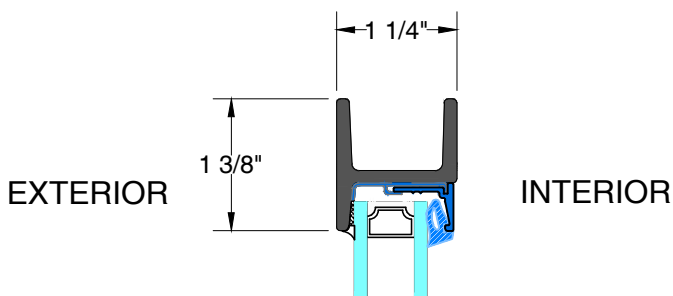
PROJECT OUT / FIXED
Scale: Half Scale

PAGE 4 OF 6



F TYPICAL VERTICAL MUNTIN

G TYPICAL HORIZONTAL MUNTIN



H&J TYPICAL FIXED HEAD & SILL

K&L TYPICAL FIXED JAMB

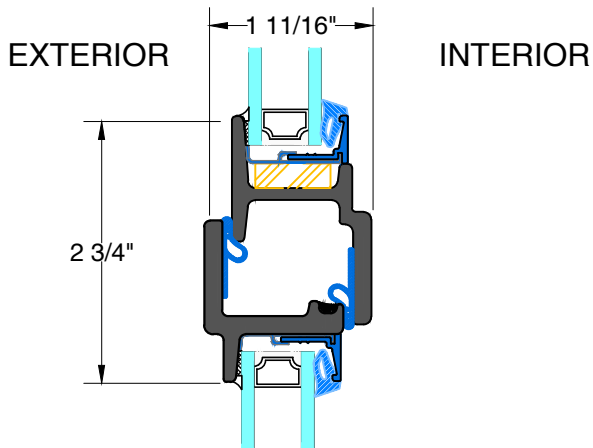


RELIANT HR4500-PO_{SERIES}

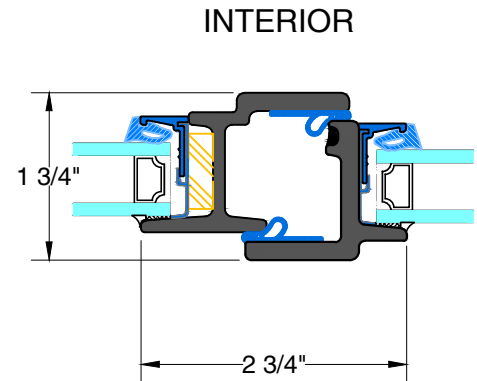
Typical Details

PROJECT OUT / FIXED
Scale: Half Scale

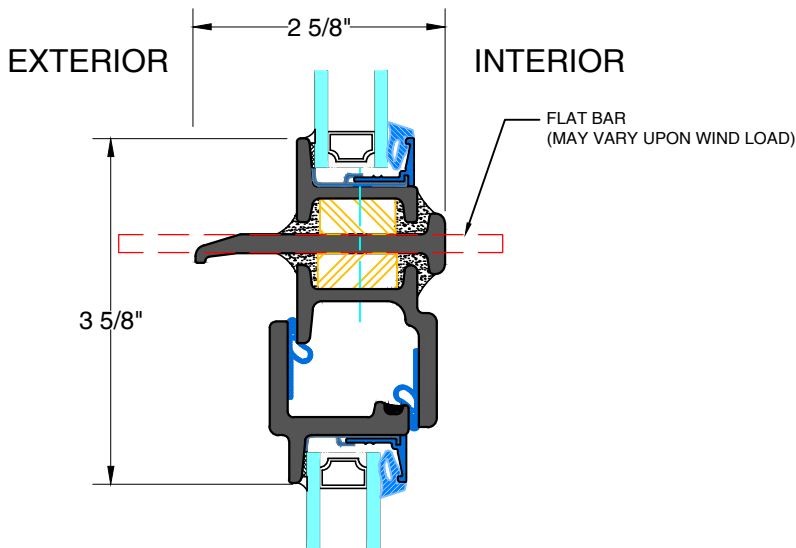
PAGE 5 OF 6



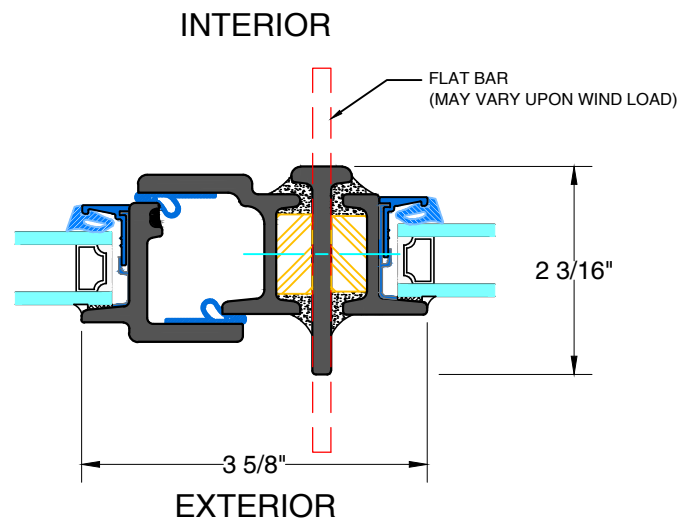
M TYPICAL HEAD
W/ TRANSOM



N TYPICAL JAMB
W/ SIDELITE



P TYPICAL STACKING
MULLION



R TYPICAL JOINING
MULLION



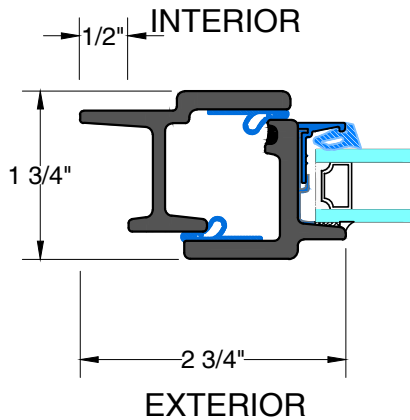
RELIANT HR4500-PO_{SERIES}

Typical Details

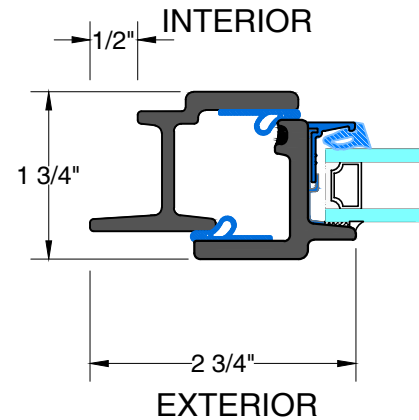
PROJECT OUT / FIXED
Scale: Half Scale

PAGE 6 OF 6

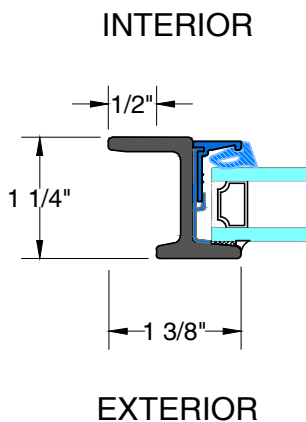
OPTIONAL FLANGE FRAME



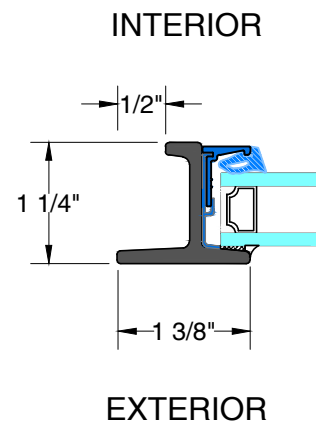
1 TYPICAL JAMB
INTERIOR FLANGE



2 TYPICAL JAMB
EXTERIOR FLANGE



3 TYPICAL FIXED JAMB
INTERIOR FLANGE



4 TYPICAL FIXED JAMB
EXTERIOR FLANGE



28 Canal Street, Ellenville, NY 12428
Phone (845) 647-1900

