

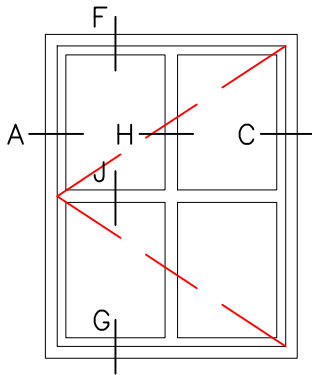
Typical Exterior Elevations

HR4700-IC_{SERIES}

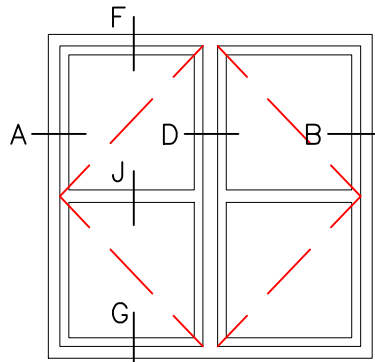
INSWING CASEMENTS / FIXED

Scale: Not To Scale

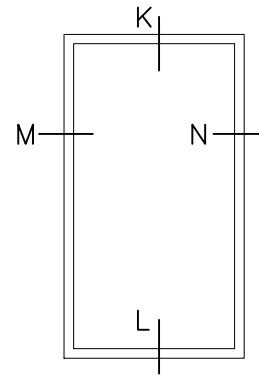
PAGE 1 OF 9



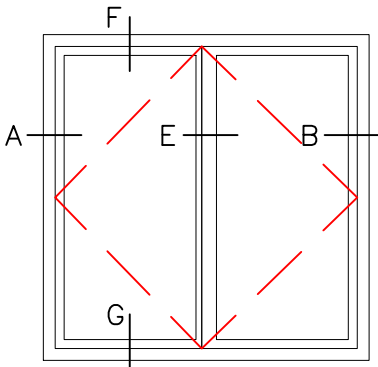
HR4722-IC



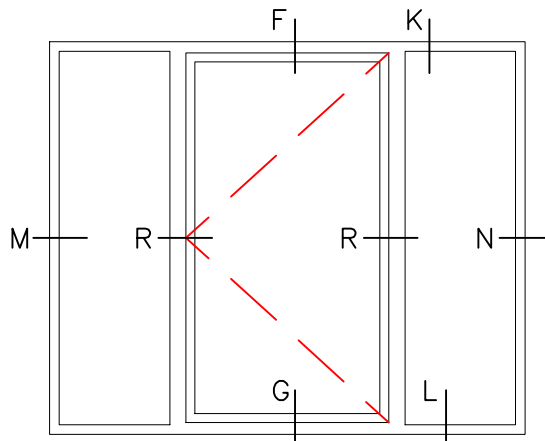
HR4722-DB-IC



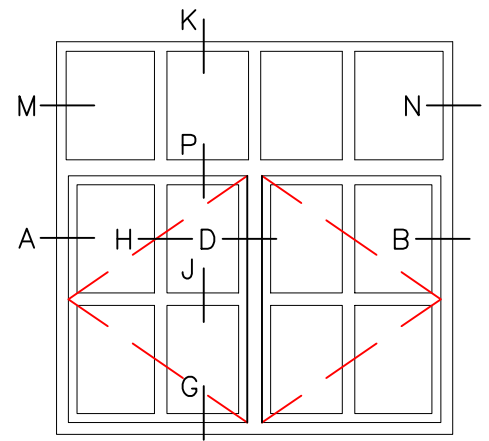
HR4711-FX



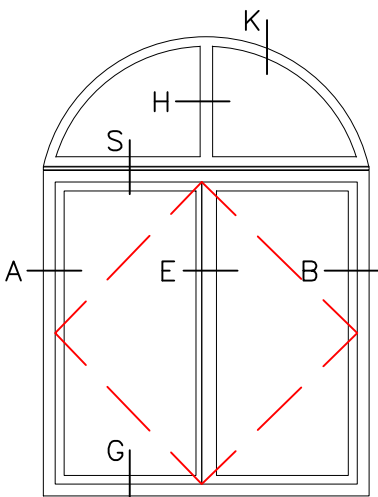
HR4721-FR-IC



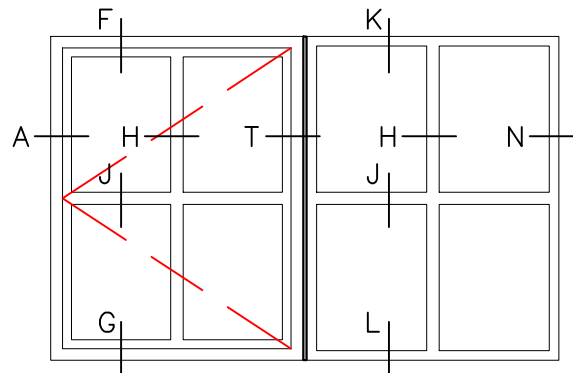
HR4731-IC-FX



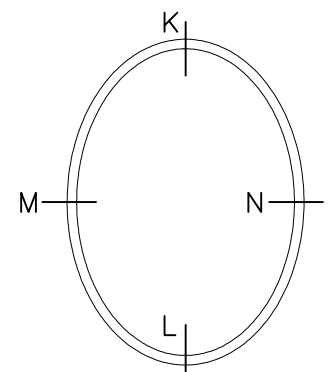
HR4743-IC-FX



HR4722-IC-FX ARCH



HR4742-IC-FX



HR4711-FX OVAL

E:\Optimum Graphics\2010 New Logo\optimum_logo_onBlueRGB.jpg

Typical Details

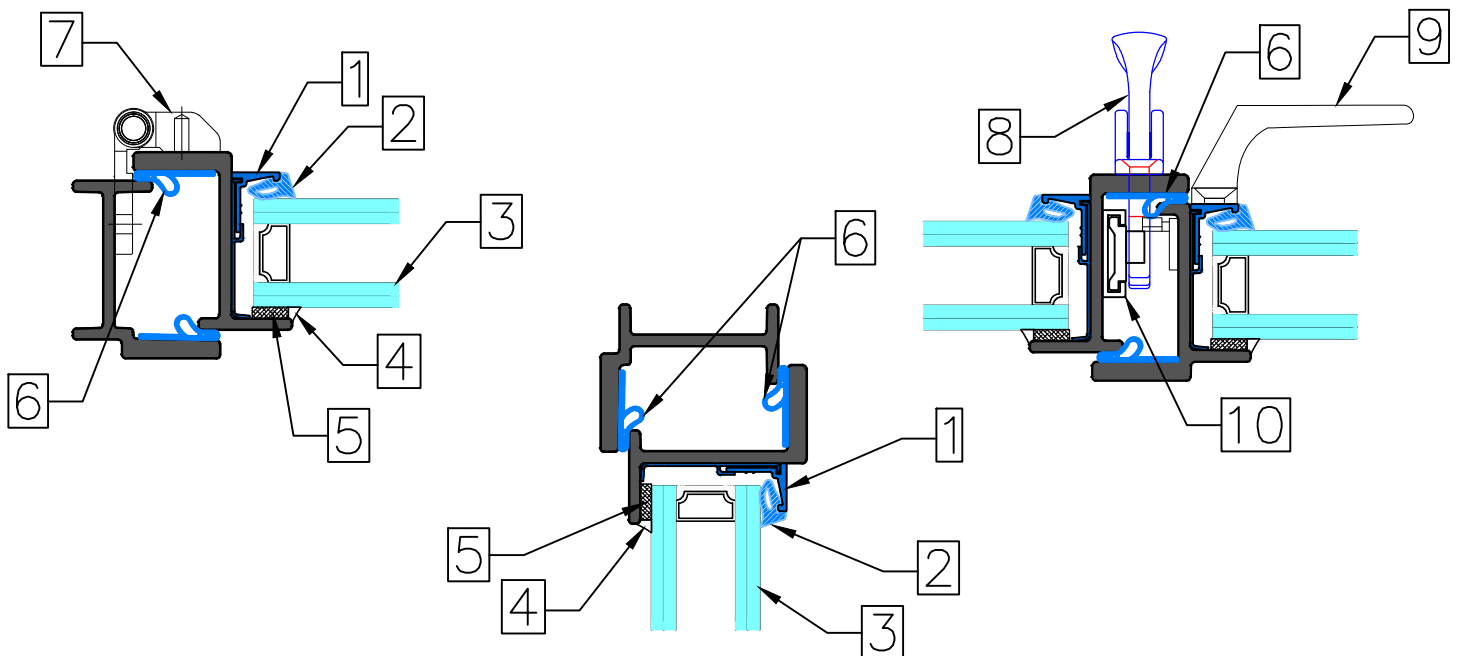
INSWING CASEMENTS / FIXED
Scale: Half Scale

PAGE 2 OF 9

KEY (TYPICAL)

1. Snap in aluminum glazing bead (other options available)
2. Extruded EPDM wedge gasket (by OWM)
3. Glass and glazing (by others)
4. Silicone cap bead (by others)
5. Foam glazing tape (by others)
6. Weather stripping (EPDM)
7. Aluminum butt hinge (other options available)
8. White bronze multipoint fastener with keeper
9. White bronze T-pull (located 4" above fastener)
10. Multipoint track system

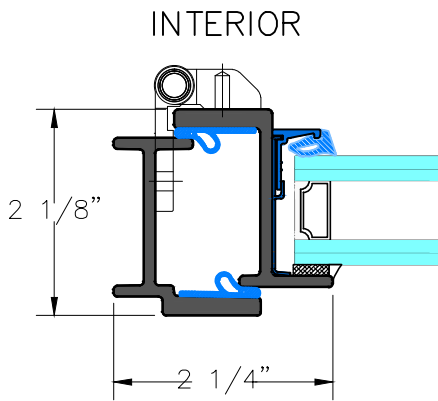
*Note: White bronze hardware is OWM's standard
(other options and finishes available)



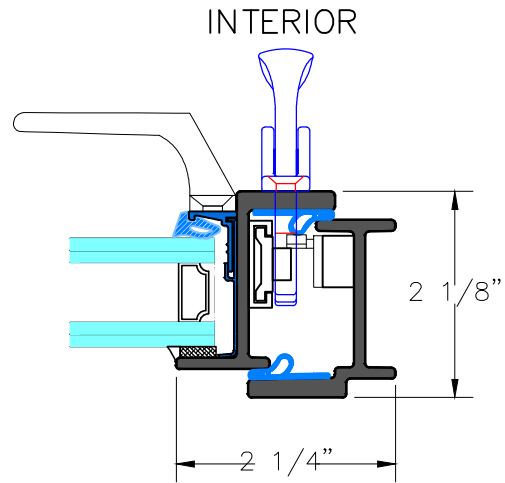
E:\Optimum Graphics\2010 New Logo\optimum_logo_onBlueRGB.jpg

Typical Details

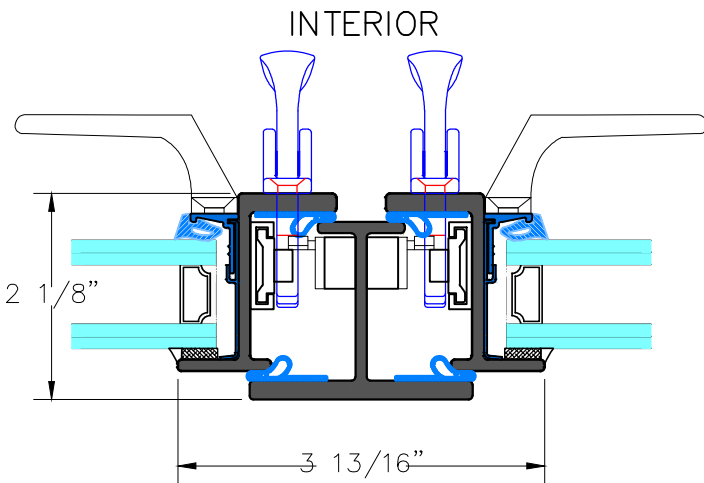
INSWING CASEMENTS / FIXED
Scale: Half Scale



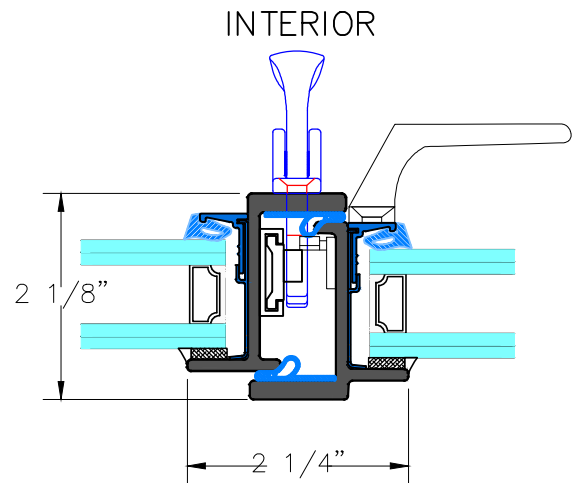
A&B TYPICAL HINGED JAMB



C TYPICAL LOCKING JAMB



D TYPICAL DOUBLE MEETING RAIL



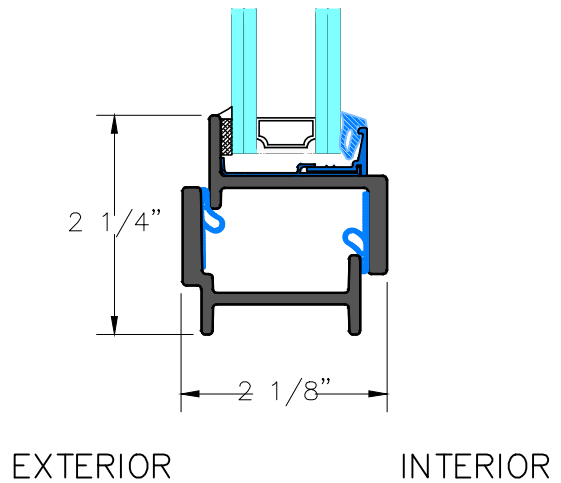
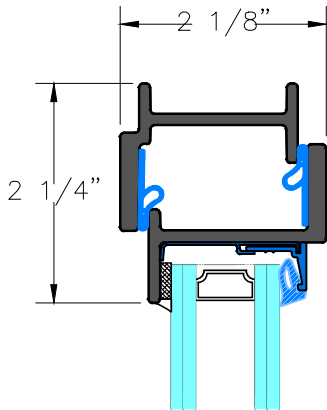
E TYPICAL FRENCH MEETING RAIL

Typical Details

INSWING CASEMENTS / FIXED

Scale: Half Scale

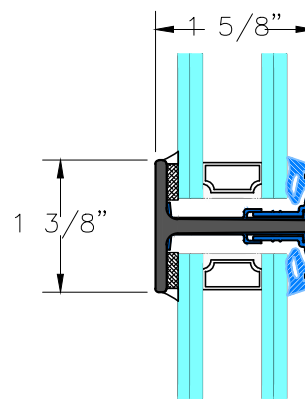
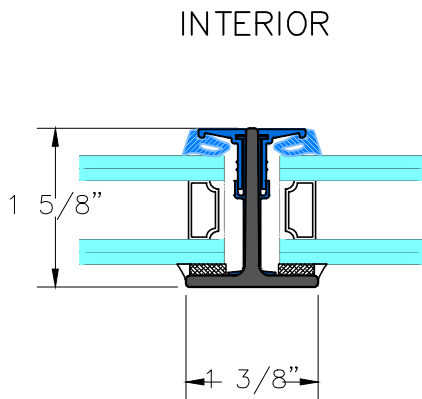
EXTERIOR INTERIOR



F TYPICAL HEAD

G TYPICAL SILL

EXTERIOR INTERIOR



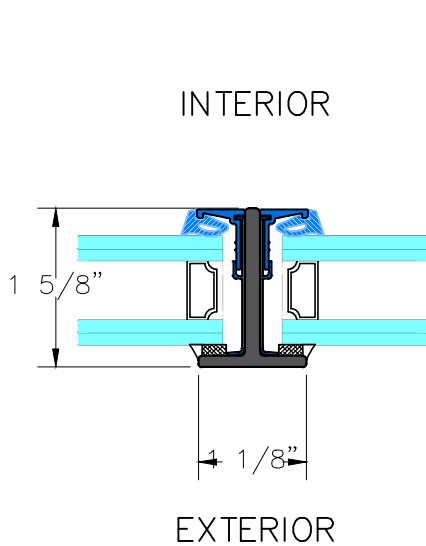
H TYPICAL VERTICAL MUNTIN

J TYPICAL HORIZONTAL MUNTIN

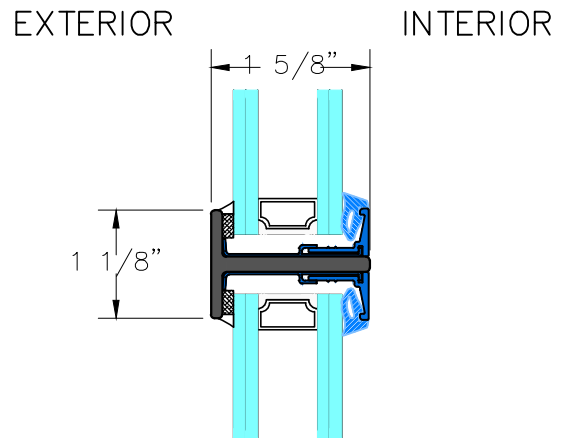
Typical Details

INSWING CASEMENTS / FIXED
Scale: Half Scale

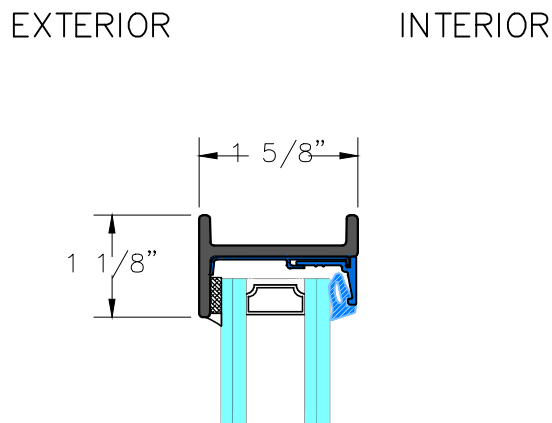
OPTIONAL 1 1/8" MUNTIN



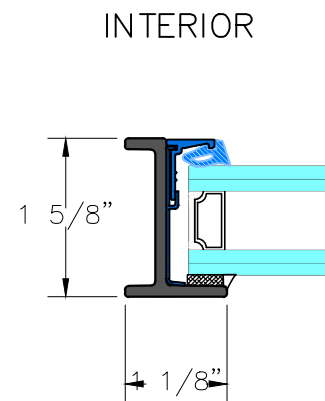
H TYPICAL VERTICAL MUNTIN



J TYPICAL HORIZONTAL MUNTIN



K&L TYPICAL FIXED HEAD & SILL

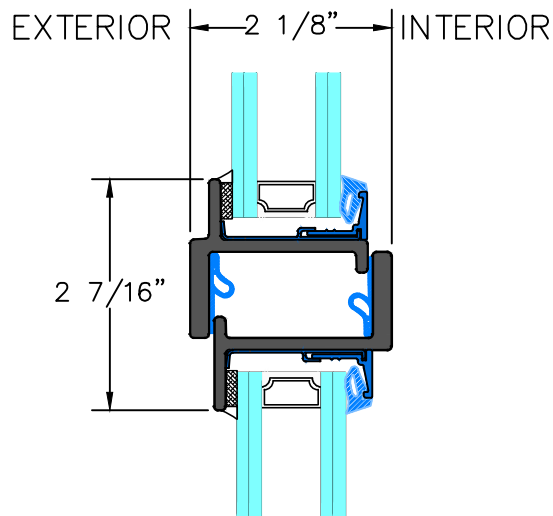


M&N TYPICAL FIXED JAMB

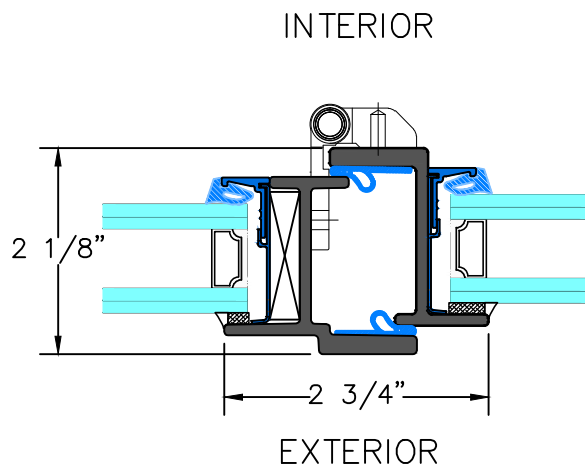
Typical Details

INSWING CASEMENTS / FIXED

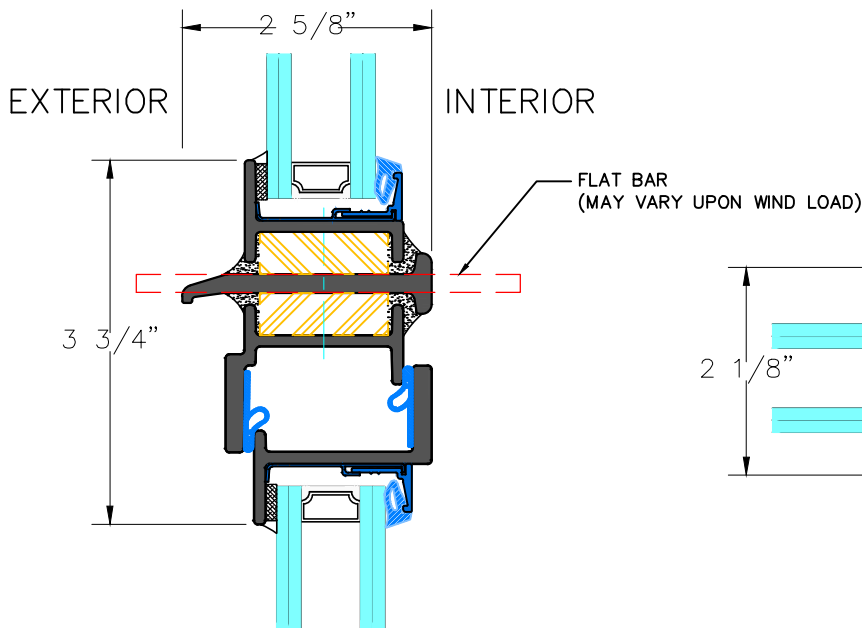
Scale: Half Scale



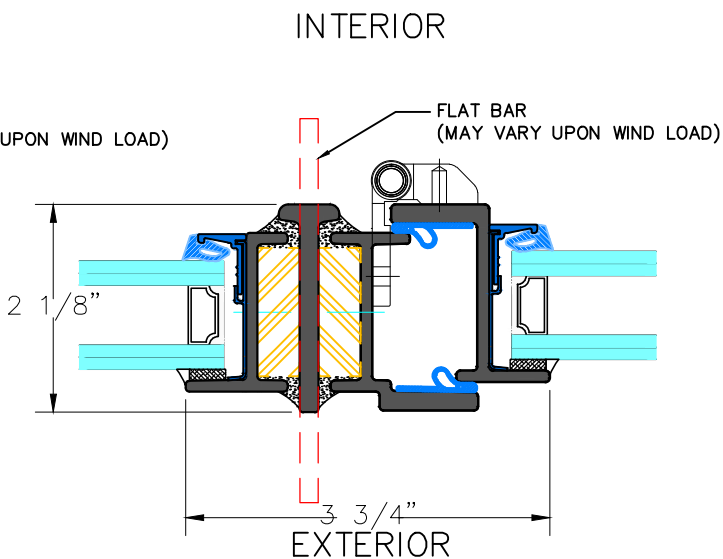
P TYPICAL HEAD
W/ TRANSOM



R TYPICAL JAMB
W/ SIDELITE



S TYPICAL
STACKING MULLION



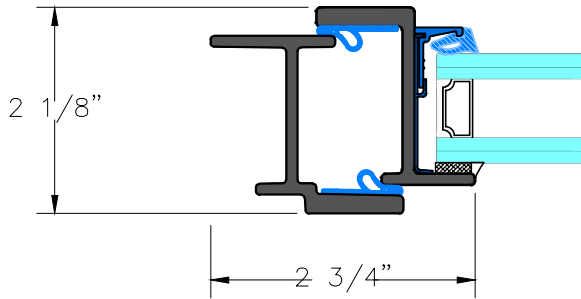
T TYPICAL
JOINING MULLION

Typical Details

INSWING CASEMENTS / FIXED
Scale: Half Scale

OPTIONAL FLANGE FRAME

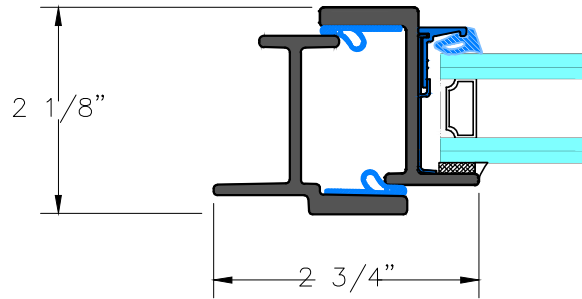
INTERIOR



EXTERIOR

1 TYPICAL INTERIOR FLANGE

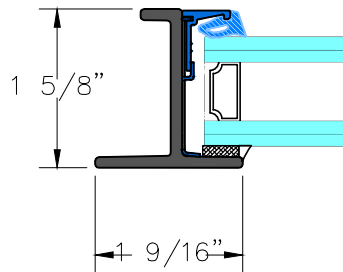
INTERIOR



EXTERIOR

2 TYPICAL EXTERIOR FLANGE

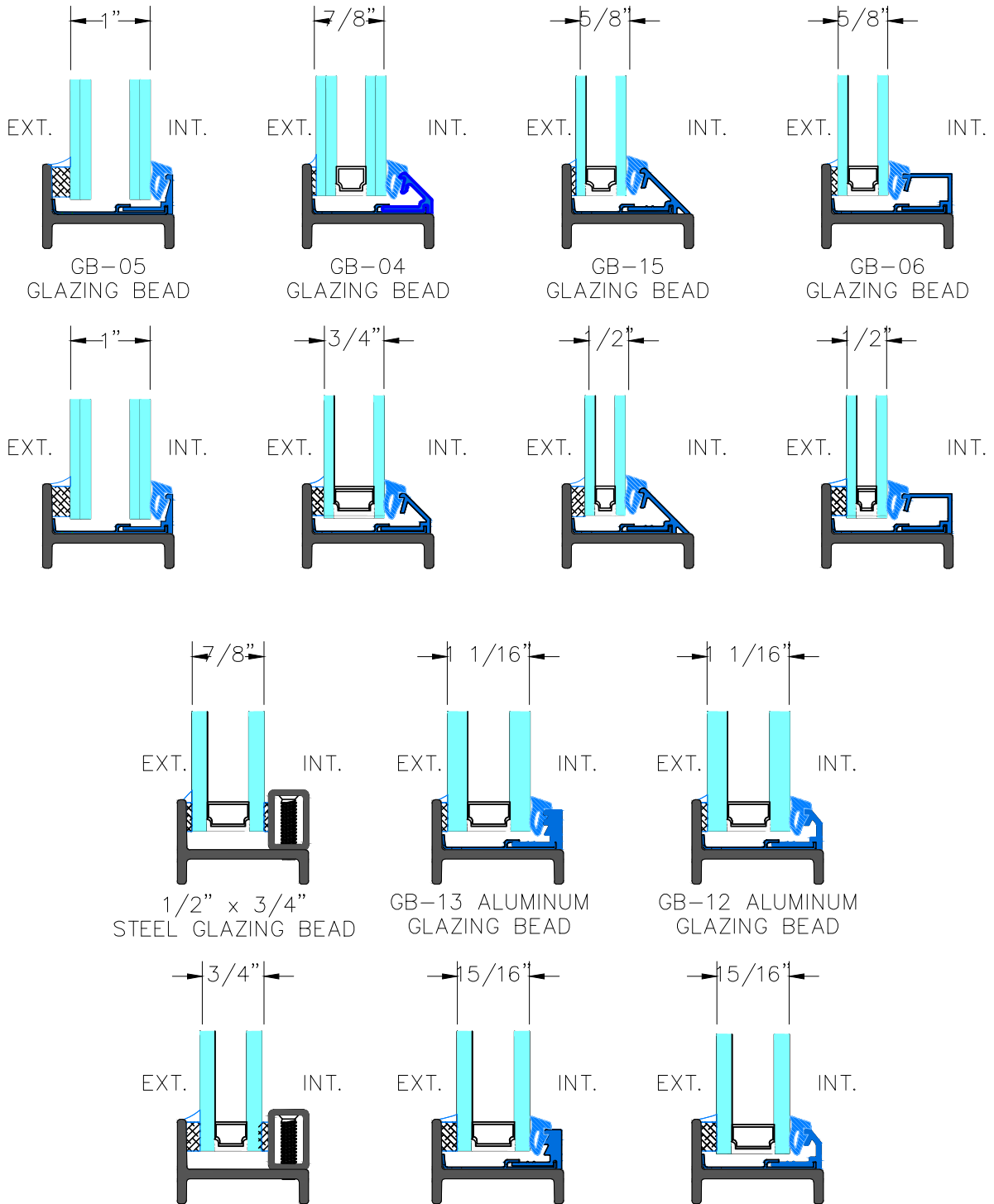
INTERIOR



EXTERIOR

3 TYPICAL FIXED EXTERIOR FLANGE

INTERIOR GLAZING



EXTERIOR GLAZING

