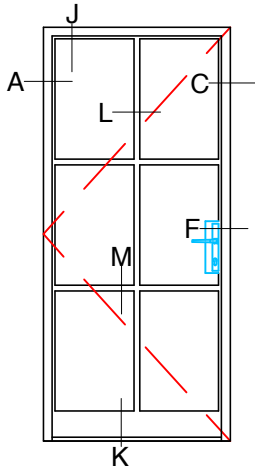


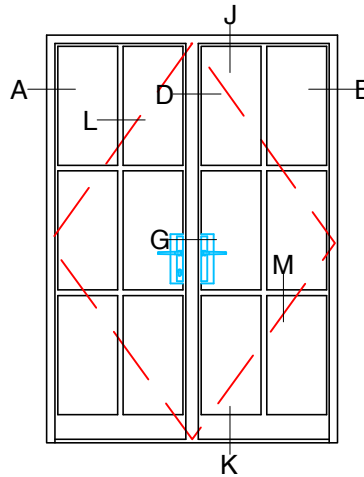
## Typical Exterior Elevations

INSWING DOOR / FIXED

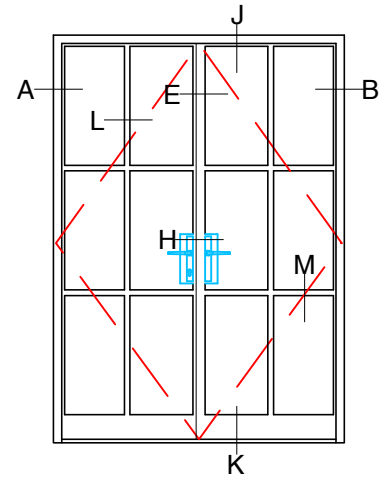
Scale: Not To Scale



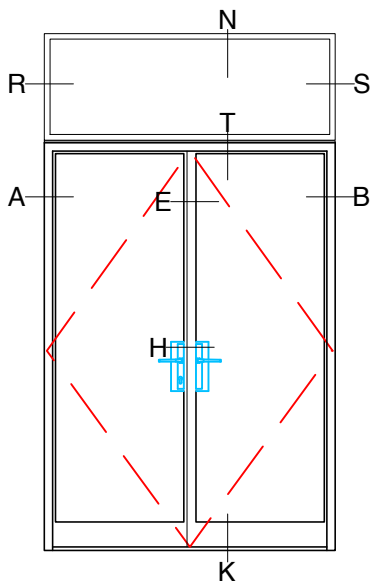
HR4723-ID



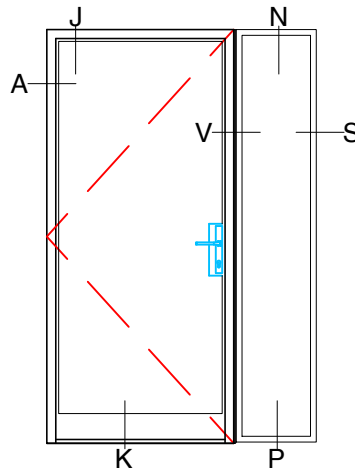
HR4743-DB-ID



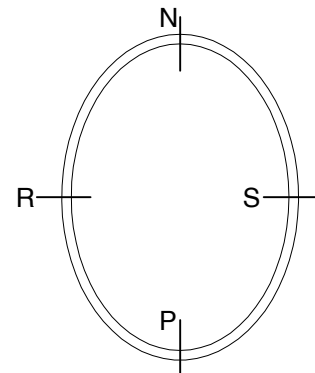
HR4743-FR-ID



HR4722-FR-ID-FX



HR4721-ID-FX

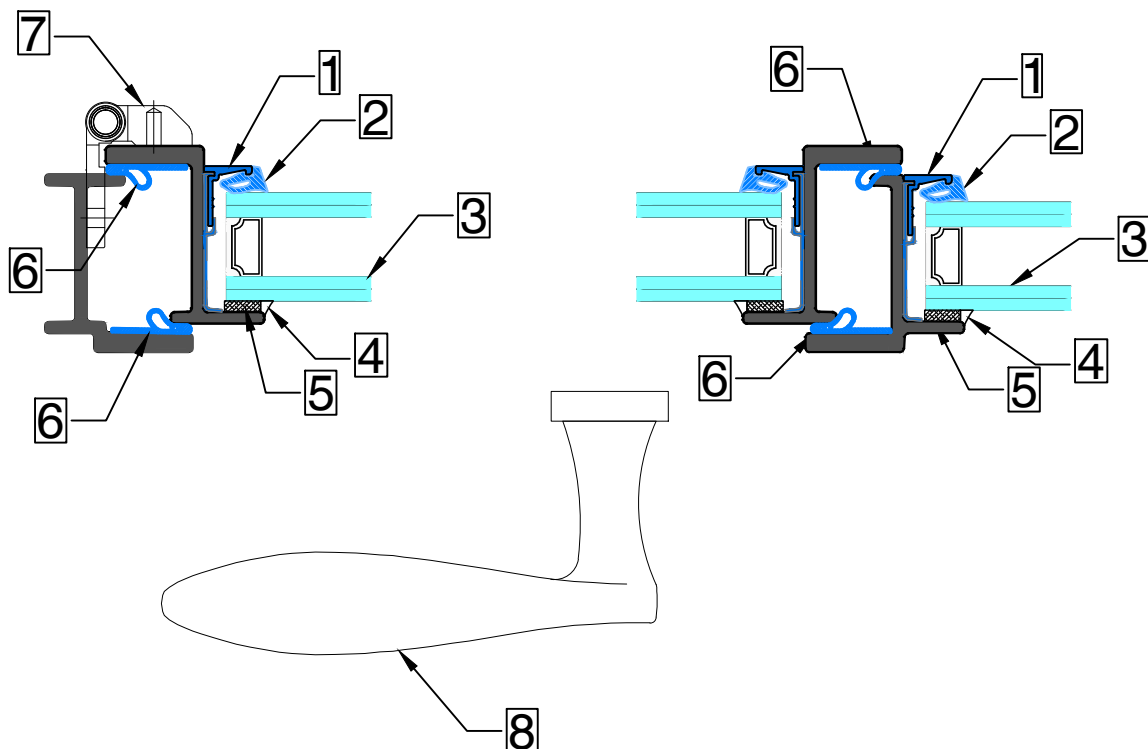


HR4711-FX OVAL



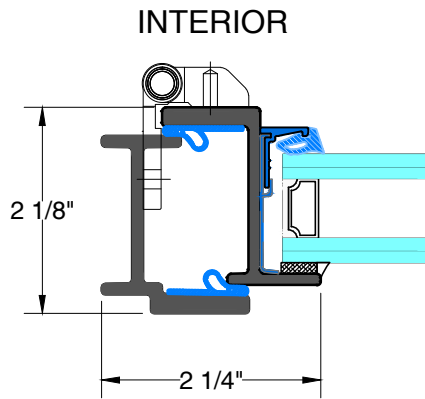
### KEY (TYPICAL)

1. SNAP IN ALUMINUM GLAZING BEAD (OTHER OPTIONS AVAILABLE)
2. EXTRUDED SILICONE WEDGE GASKET (BY OWM)
3. GLASS AND GLAZING (BY OTHERS)
4. SILICONE CAP BEAD (BY OTHERS)
5. FOAM GLAZING TAPE (BY OTHERS)
6. WEATHER STRIPPING (EPDM)
7. ALUMINUM BUTT HINGE (OTHER OPTIONS AVAILABLE)
8. RUSTIC UMBER RODOS HANDLE (OTHER OPTIONS AVAILABLE)

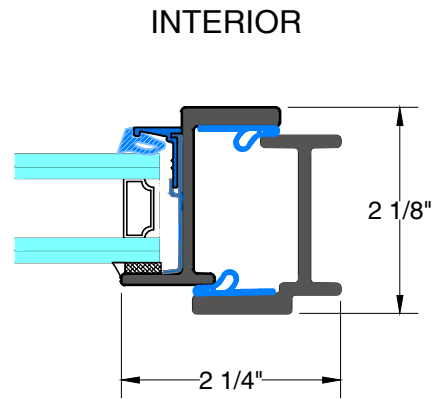


## Typical Details

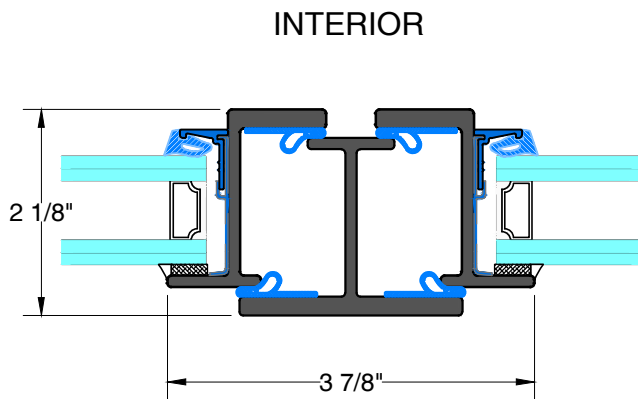
INSWING DOOR / FIXED  
Scale: Half Scale



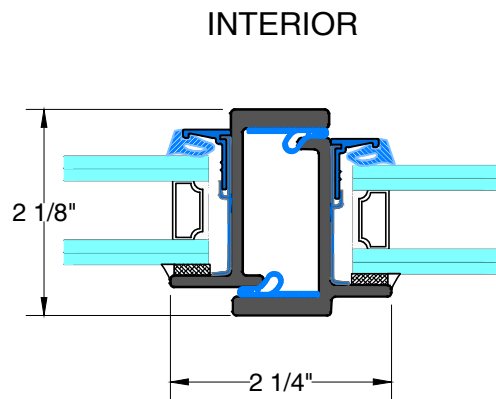
**A&B** TYPICAL HINGED JAMB



**C** TYPICAL LOCKING JAMB



**D** TYPICAL DOUBLE MEETING RAIL

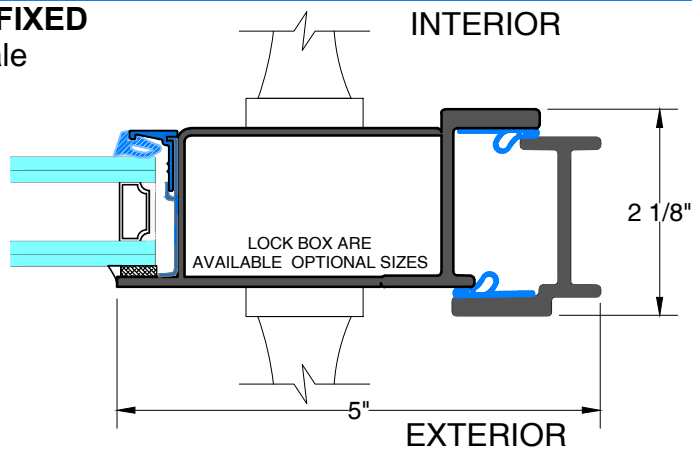


**E** TYPICAL FRENCH MEETING RAIL

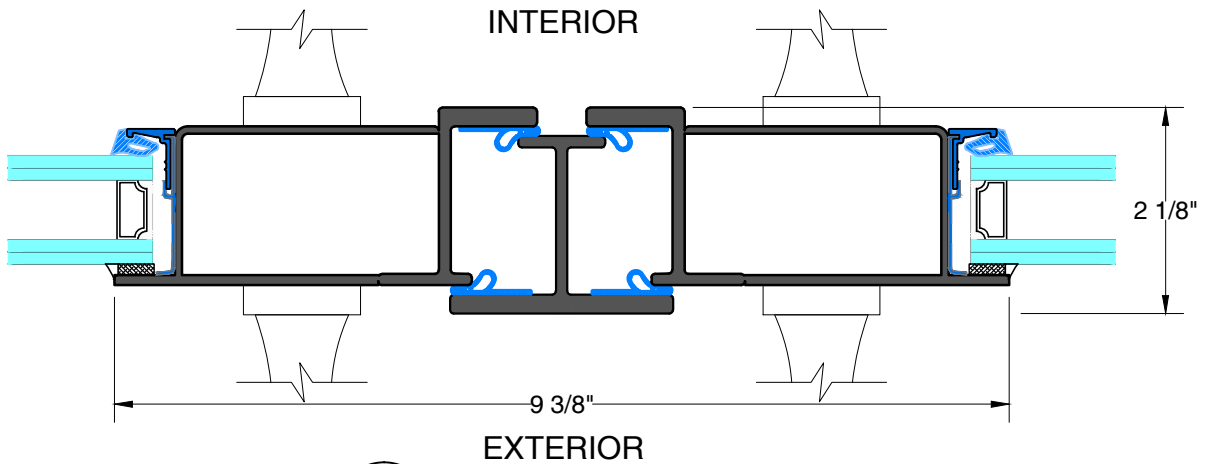


## Typical Details

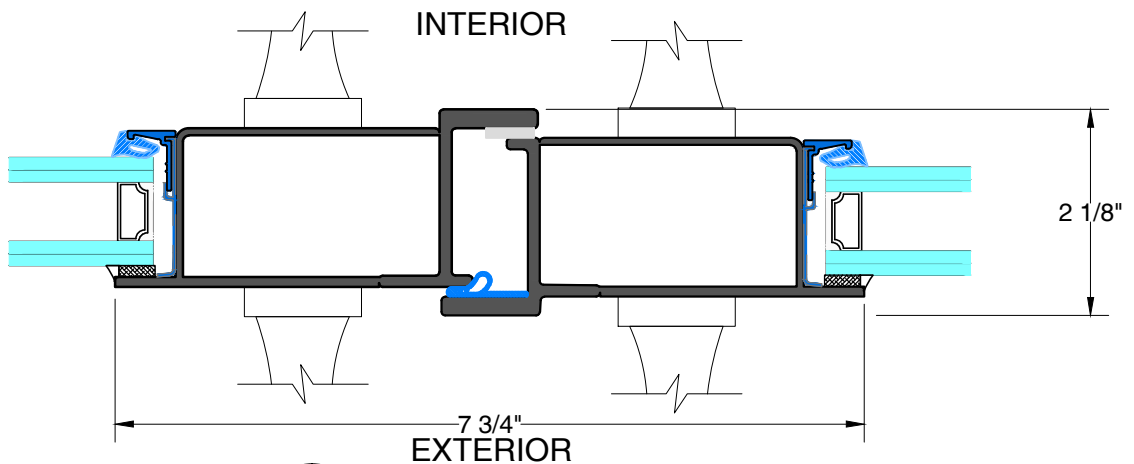
INSWING DOOR / FIXED  
Scale: Half Scale



**F** TYPICAL LOCKBOX  
SINGLE DOOR



**G** TYPICAL LOCKBOX  
DOUBLE DOOR



**H** TYPICAL LOCKBOX  
FRENCH DOOR



# RELIANT

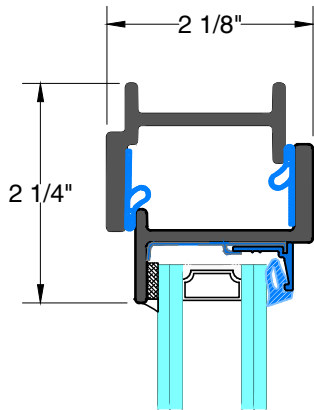
# HR4700-ID<sub>SERIES</sub>

## Typical Details

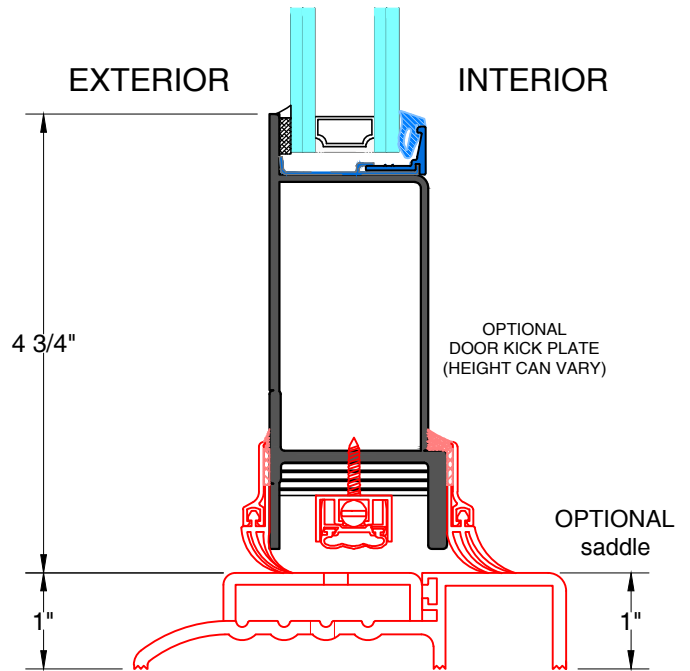
IN SWING DOOR / FIXED  
Scale: Half Scale

PAGE 5 OF 7

EXTERIOR INTERIOR

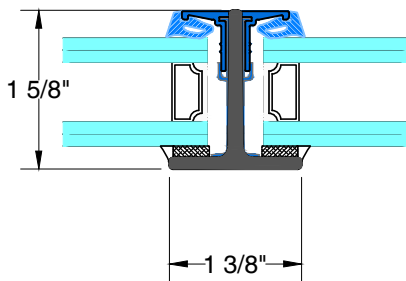


**J** TYPICAL HEAD



**K** TYPICAL KICKPLATE

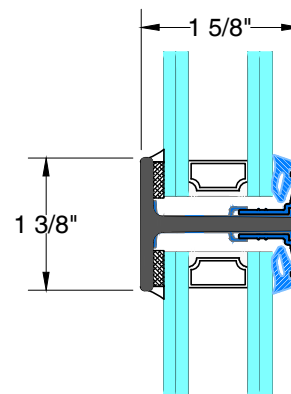
INTERIOR



EXTERIOR

**L** TYPICAL VERTICAL MUNTIN

EXTERIOR INTERIOR



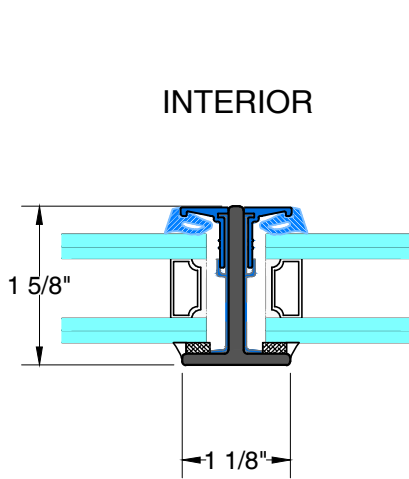
**M** TYPICAL HORIZONTAL MUNTIN



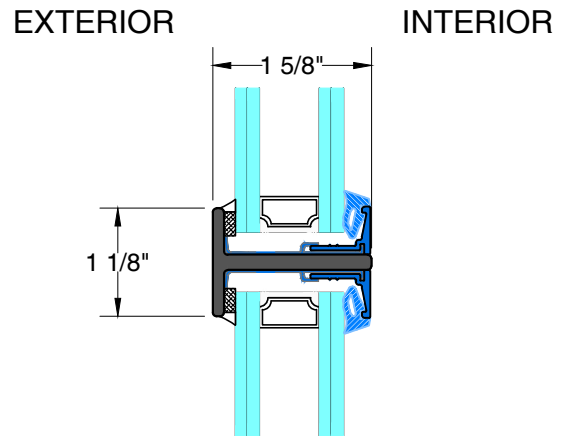
## Typical Details

INSWING DOOR / FIXED  
Scale: Half Scale

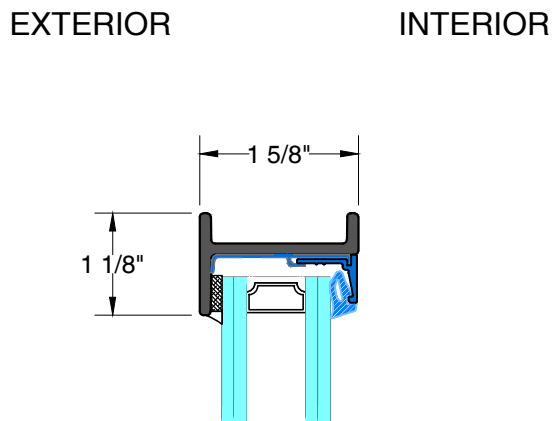
### OPTIONAL 1 1/8" MUNTIN



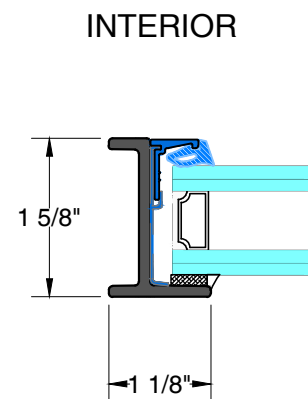
**L** TYPICAL VERTICAL MUNTIN



**M** TYPICAL HORIZONTAL MUNTIN



**N&P** TYPICAL FIXED HEAD & SILL



**R&S** TYPICAL FIXED JAMB

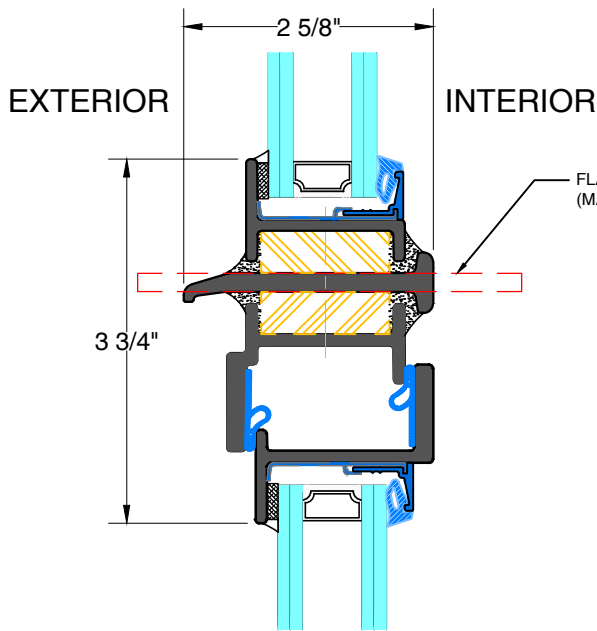


# RELIANT HR4700-ID<sub>SERIES</sub>

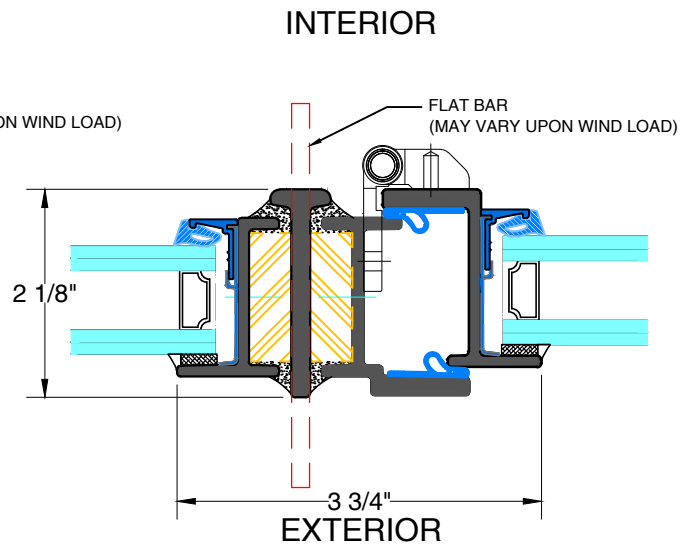
## Typical Details

IN SWING DOOR / FIXED  
Scale: Half Scale

PAGE 7 OF 7

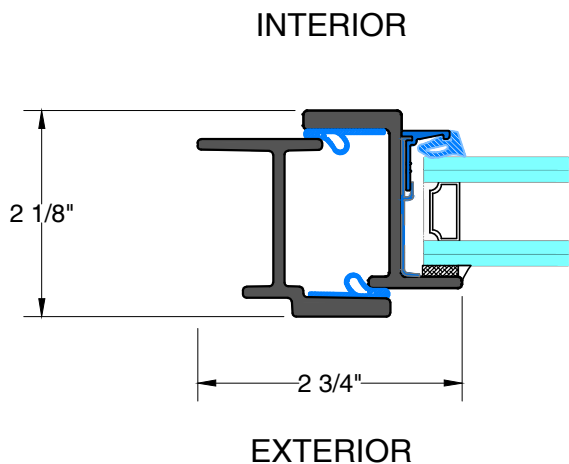


**T** TYPICAL STACKING MULLION

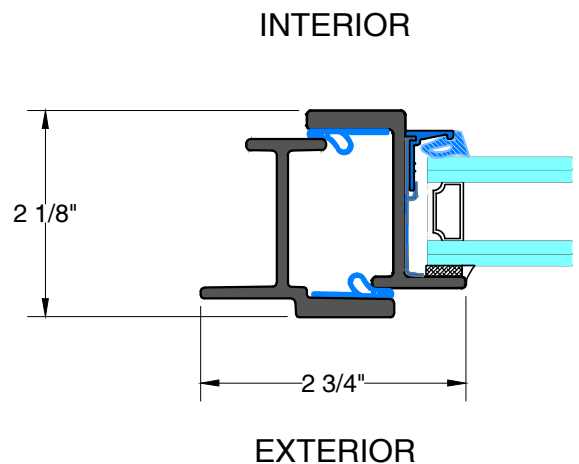


**V** TYPICAL JOINING MULLION

### OPTIONAL FLANGE FRAME



**1** TYPICAL INTERIOR FLANGE



**2** TYPICAL EXTERIOR FLANGE

