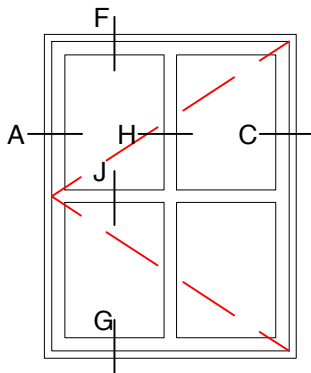


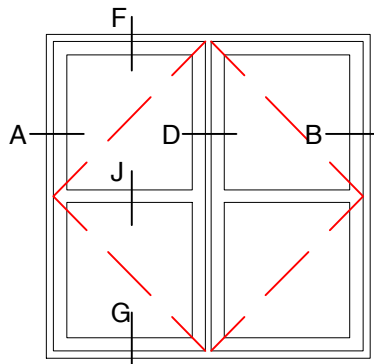
## Typical Exterior Elevations

OUTSWING CASEMENTS / FIXED

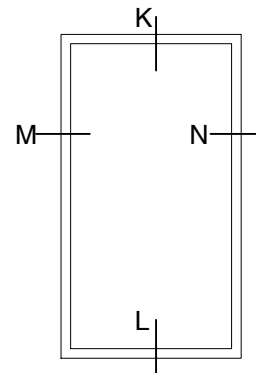
Scale: Not To Scale



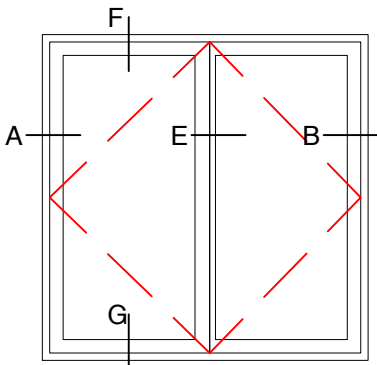
HR4722-OC



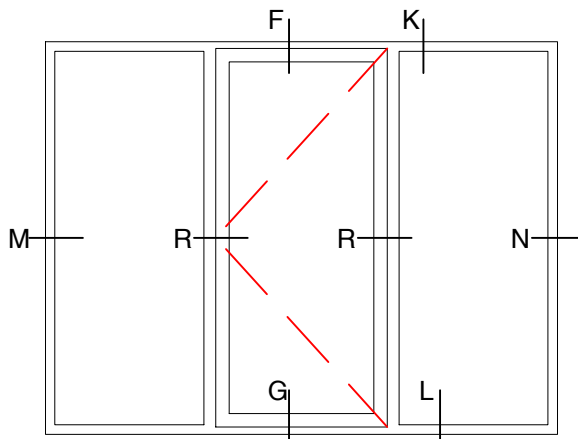
HR4722-DB-OC



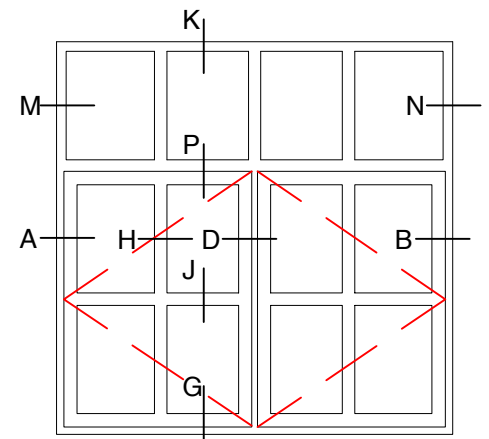
HR4711-FX



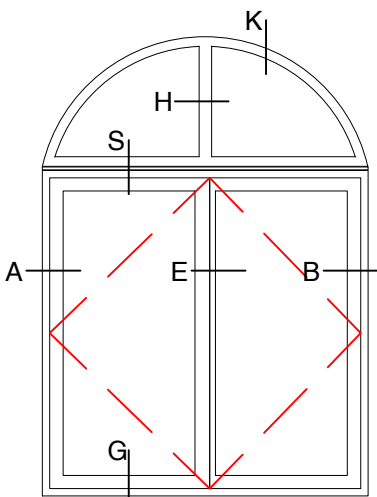
HR4721-FR-OC



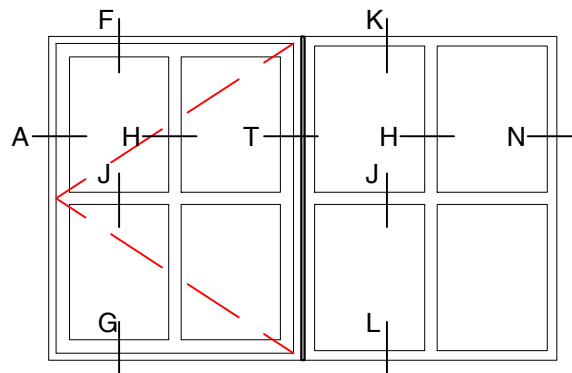
HR4731-OC-FX



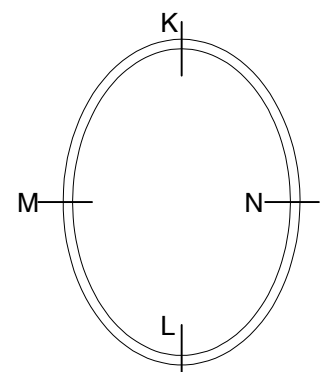
HR4743-OC-FX



HR4722-FR-OC-FX ARCH



HR4742-OC-FX



HR4711-FX OVAL



## Typical Details

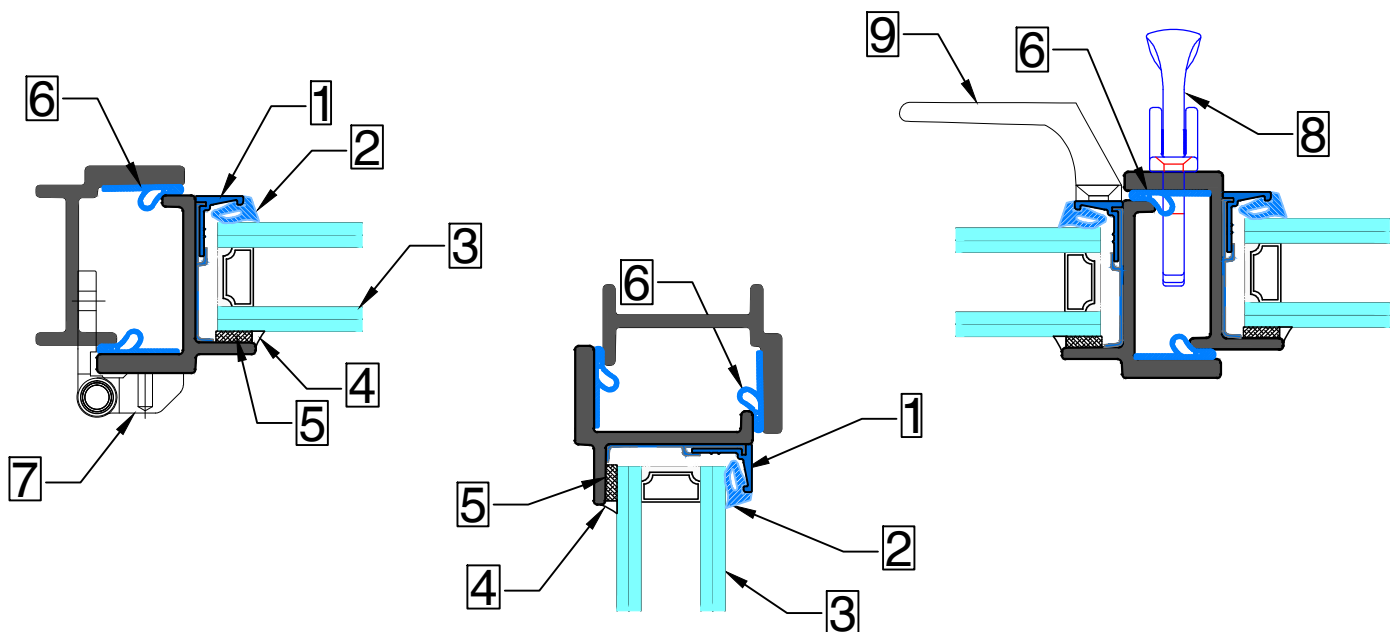
OUTSWING CASEMENTS / FIXED

Scale: Half Scale

PAGE 2 OF 7

## KEY (TYPICAL)

1. SNAP IN ALUMINUM GLAZING BEAD (OTHER OPTIONS AVAILABLE)
2. EXTRUDED SILICONE WEDGE GASKET (BY OWM)
3. GLASS AND GLAZING (BY OTHERS)
4. SILICONE CAP BEAD (BY OTHERS)
5. FOAM GLAZING TAPE (BY OTHERS)
6. WEATHER STRIPPING (EPDM)
7. ALUMINUM BUTT HINGE (OTHER OPTIONS AVAILABLE)
8. WHITE BRONZE PROJECT IN FASTENER WITH KEEPER  
\*NOTE: WHITE BRONZE HARDWARE IS OWM'S STANDARD (OTHER OPTIONS AND FINISHES AVAILABLE)
9. WHITE BRONZE T-PULL (LOCATED 4" ABOVE FASTENER)



28 Canal Street, Ellenville, NY 12428

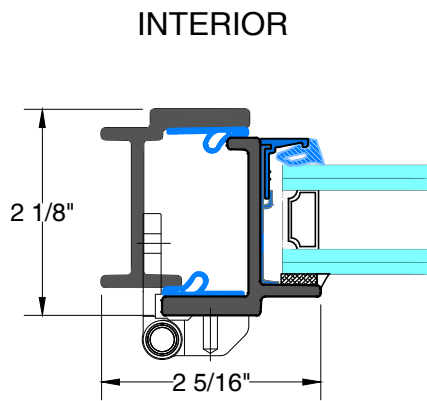
Phone (845) 647-1900

# RELIANT HR4700-OC<sub>SERIES</sub>

## Typical Details

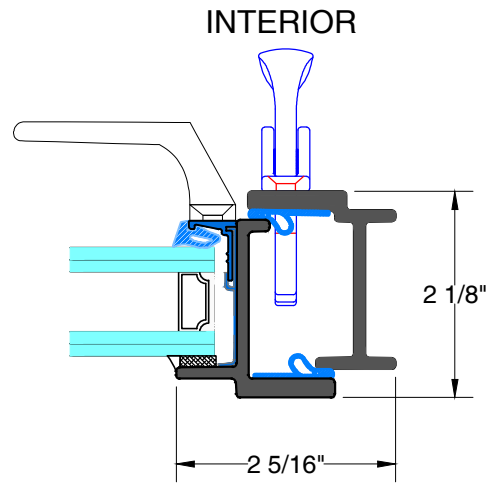
OUTSWING CASEMENTS / FIXED  
Scale: Half Scale

PAGE 3 OF 7



INTERIOR

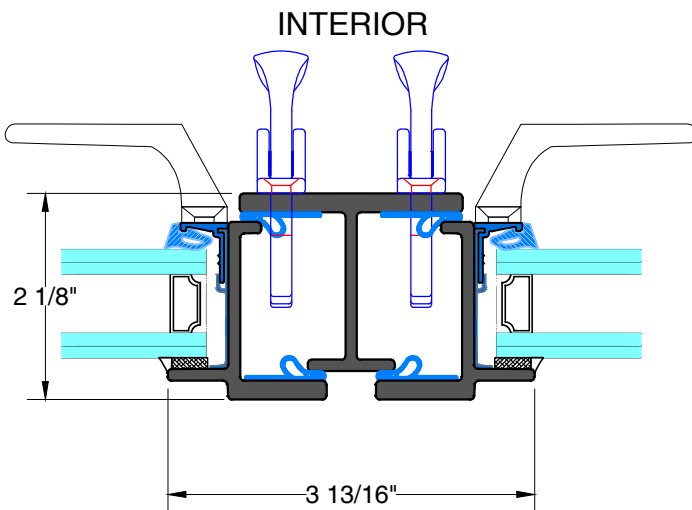
**A&B** TYPICAL HINGED JAMB



INTERIOR

EXTERIOR

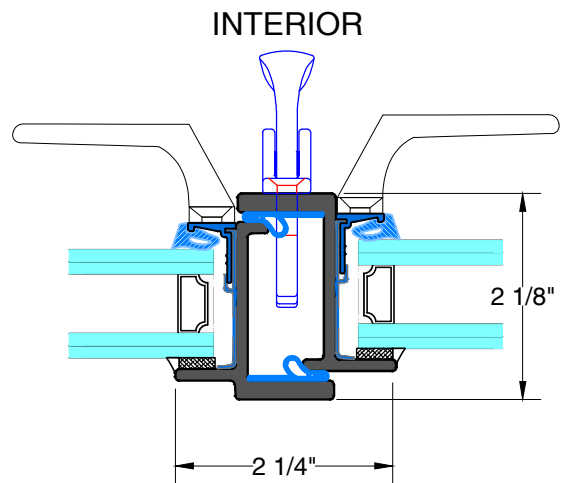
**C** TYPICAL LOCKING JAMB



INTERIOR

EXTERIOR

**D** TYPICAL DOUBLE MEETING RAIL



INTERIOR

EXTERIOR

**E** TYPICAL FRENCH MEETING RAIL



28 Canal Street, Ellenville, NY 12428  
Phone (845) 647-1900

# RELIANT HR4700-OC<sub>SERIES</sub>

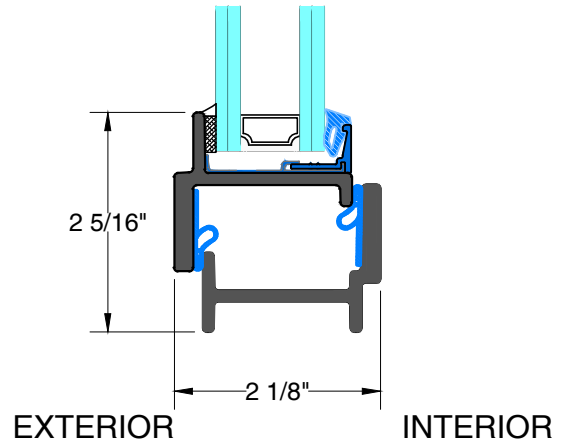
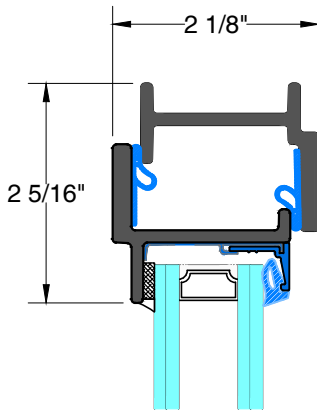
## Typical Details

OUTSWING CASEMENTS / FIXED  
Scale: Half Scale

PAGE 4 OF 7

EXTERIOR

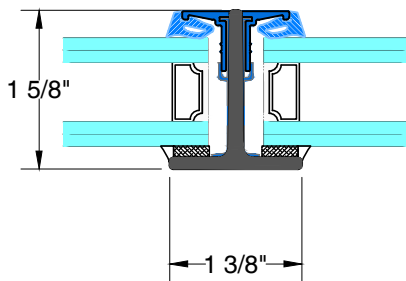
INTERIOR



**F** TYPICAL HEAD

**G** TYPICAL SILL

INTERIOR

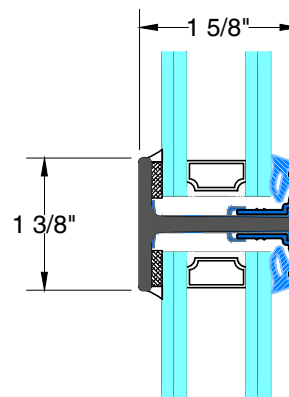


EXTERIOR

**H** TYPICAL VERTICAL MUNTIN

EXTERIOR

INTERIOR



**J** TYPICAL HORIZONTAL MUNTIN



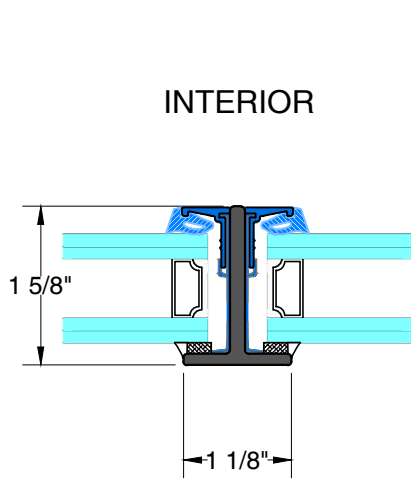
# RELIANT HR4700-OC<sub>SERIES</sub>

## Typical Details

OUTSWING CASEMENTS / FIXED  
Scale: Half Scale

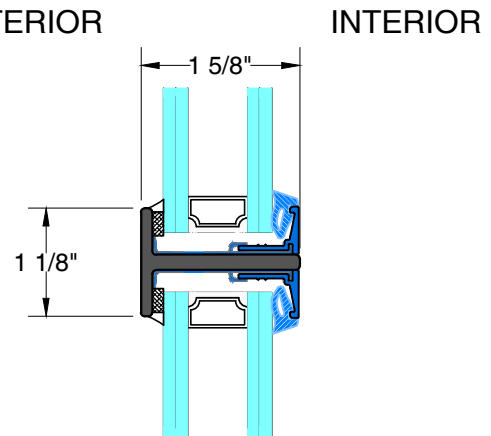
PAGE 5 OF 7

### OPTIONAL 1 1/8" MUNTIN



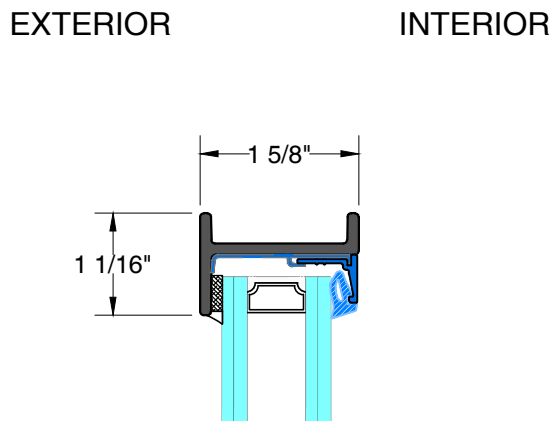
EXTERIOR

**H** TYPICAL VERTICAL MUNTIN



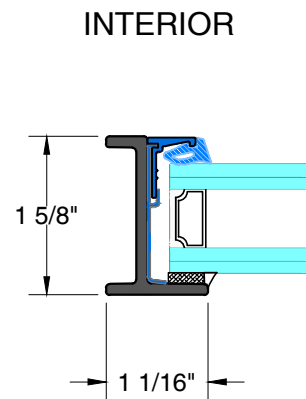
EXTERIOR INTERIOR

**J** TYPICAL HORIZONTAL MUNTIN



EXTERIOR INTERIOR

**K&L** TYPICAL FIXED HEAD & SILL



EXTERIOR INTERIOR

**M&N** TYPICAL FIXED JAMB



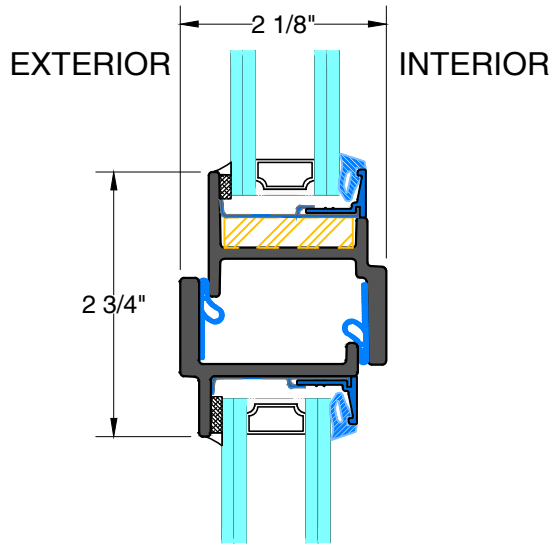
28 Canal Street, Ellenville, NY 12428  
Phone (845) 647-1900

# RELIANT HR4700-OC<sub>SERIES</sub>

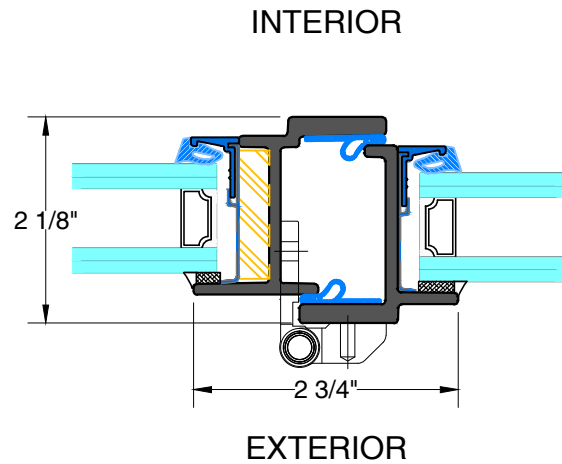
## Typical Details

OUTSWING CASEMENTS / FIXED  
Scale: Half Scale

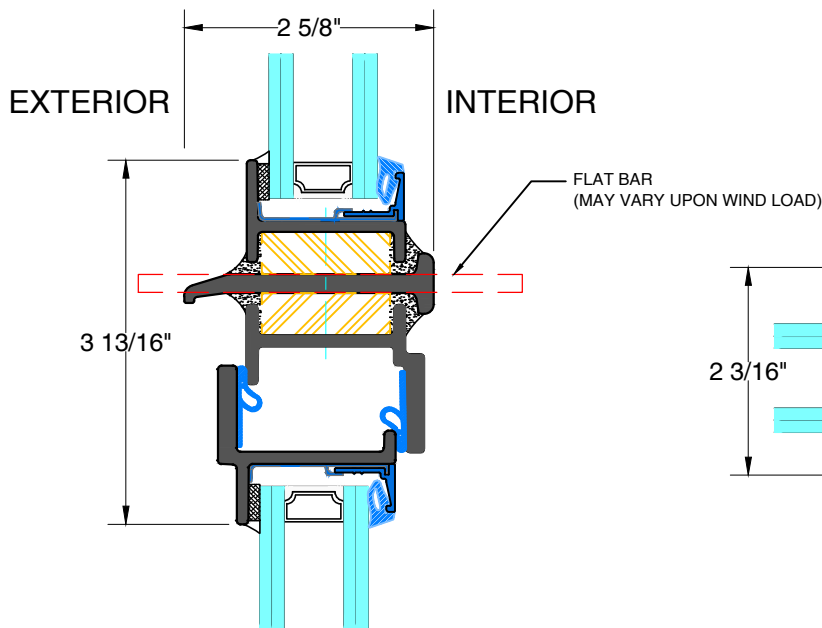
PAGE 6 OF 7



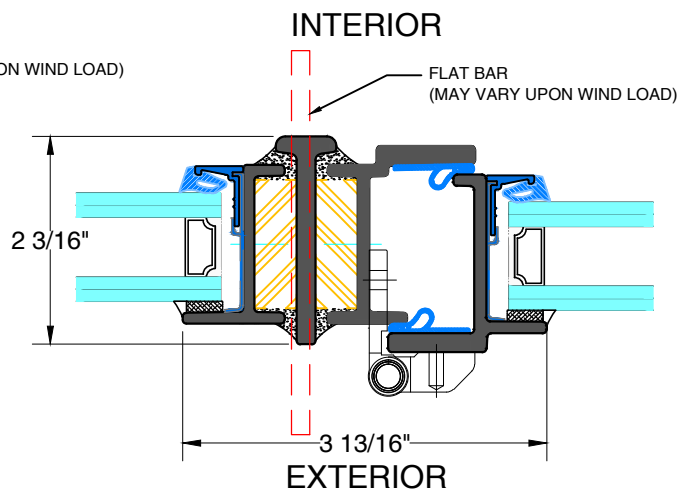
**P** TYPICAL HEAD  
W/ TRANSOM



**R** TYPICAL JAMB  
W/ SIDELITE



**S** TYPICAL  
STACKING MULLION



**T** TYPICAL  
JOINING MULLION



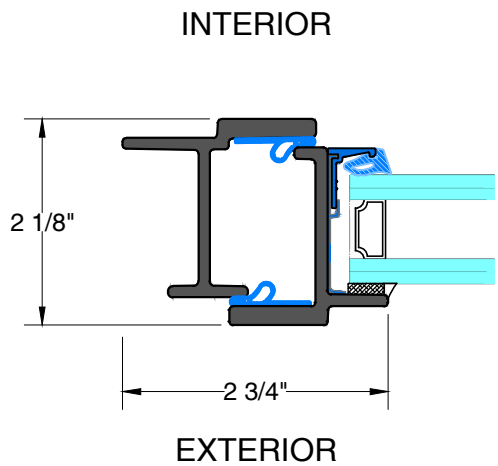
# RELIANT HR4700-OC<sub>SERIES</sub>

## Typical Details

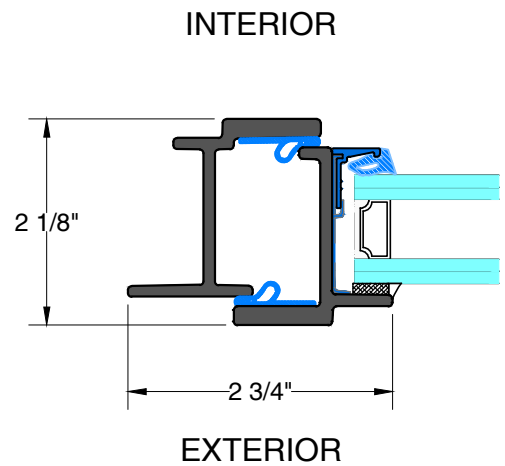
OUTSWING CASEMENTS / FIXED  
Scale: Half Scale

PAGE 7 OF 7

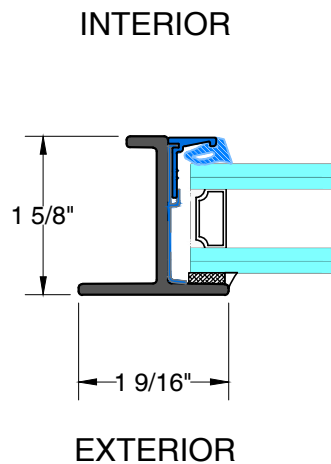
### OPTIONAL FLANGE FRAME



**1** TYPICAL  
INTERIOR FLANGE



**2** TYPICAL  
EXTERIOR FLANGE



**3** TYPICAL FIXED  
EXTERIOR FLANGE



28 Canal Street, Ellenville, NY 12428  
Phone (845) 647-1900