

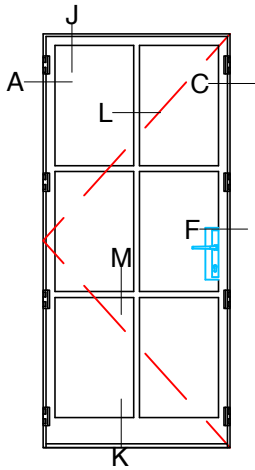
RELIANT HR4700-OD_{SERIES}

Typical Exterior Elevations

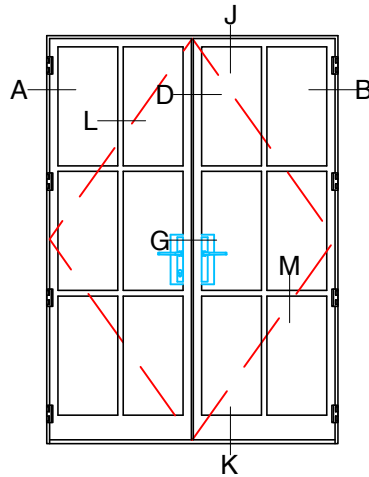
OUTSWING DOOR / FIXED

Scale: Not To Scale

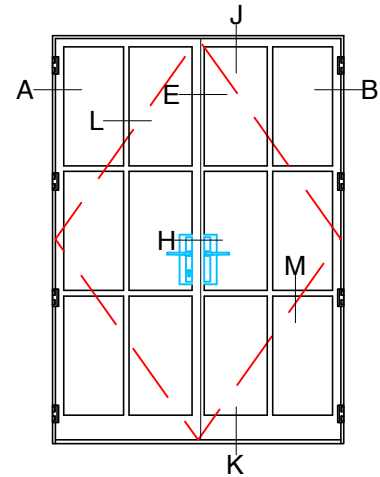
PAGE 1 OF 7



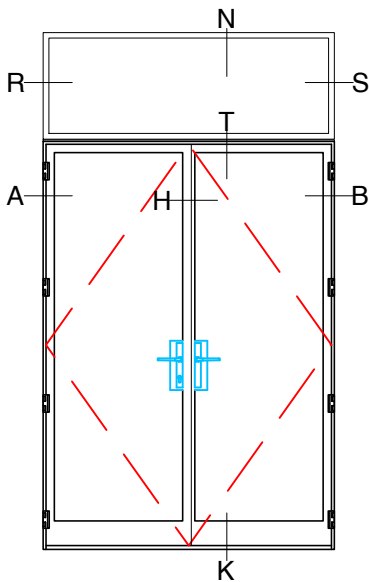
HR4723-OD



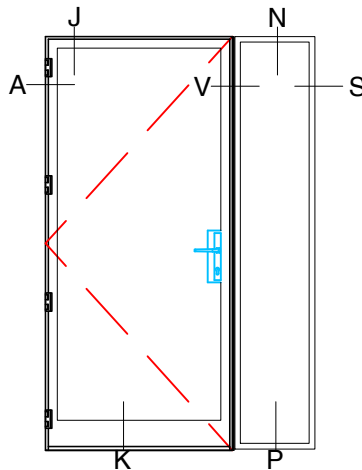
HR4743-FR-OD



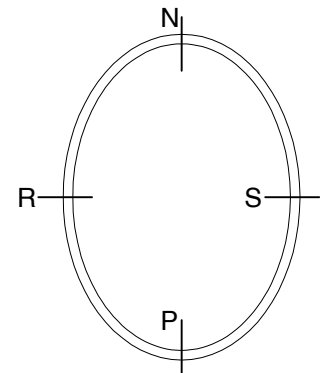
HR4743-DB-OD



HR4722-OD-FX



HR4721-OD-FX

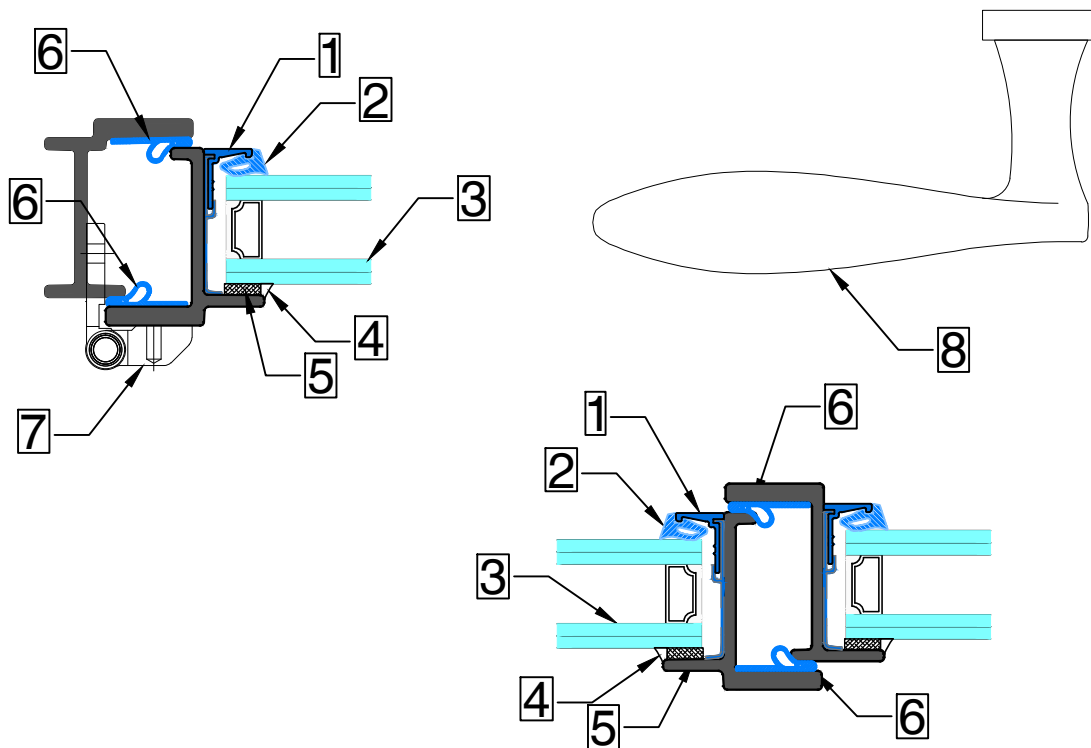


HR4711-FX OVAL



KEY (TYPICAL)

1. SNAP IN ALUMINUM GLAZING BEAD (OTHER OPTIONS AVAILABLE)
2. EXTRUDED SILICONE WEDGE GASKET (BY OWM)
3. GLASS AND GLAZING (BY OTHERS)
4. SILICONE CAP BEAD (BY OTHERS)
5. FOAM GLAZING TAPE (BY OTHERS)
6. WEATHER STRIPPING (EPDM)
7. ALUMINUM BUTT HINGE (OTHER OPTIONS AVAILABLE)
8. RUSTIC UMBER RODOS HANDLE (OTHER OPTIONS AVAILABLE)



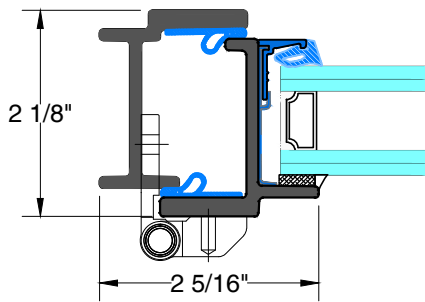
RELIANT HR4700-OD_{SERIES}

Typical Details

OUTSWING DOOR / FIXED
Scale: Half Scale

PAGE 3 OF 7

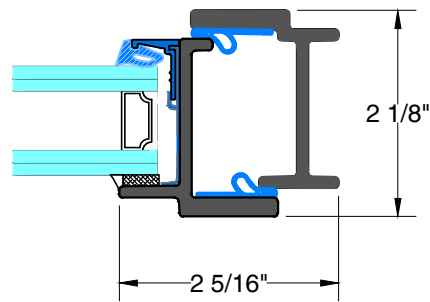
INTERIOR



EXTERIOR

A&B TYPICAL HINGED JAMB

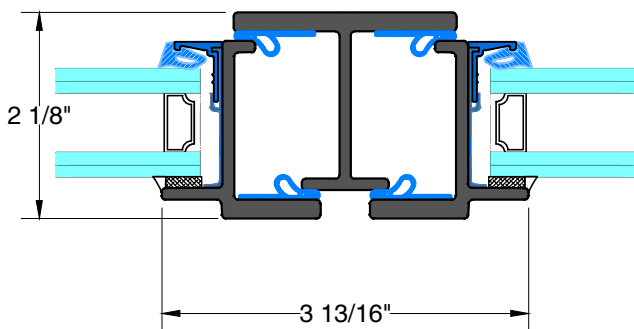
INTERIOR



EXTERIOR

C TYPICAL LOCKING JAMB

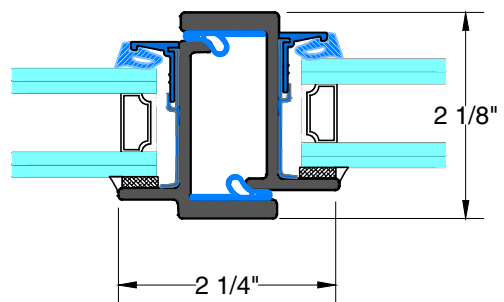
INTERIOR



EXTERIOR

D TYPICAL DOUBLE MEETING RAIL

INTERIOR



EXTERIOR

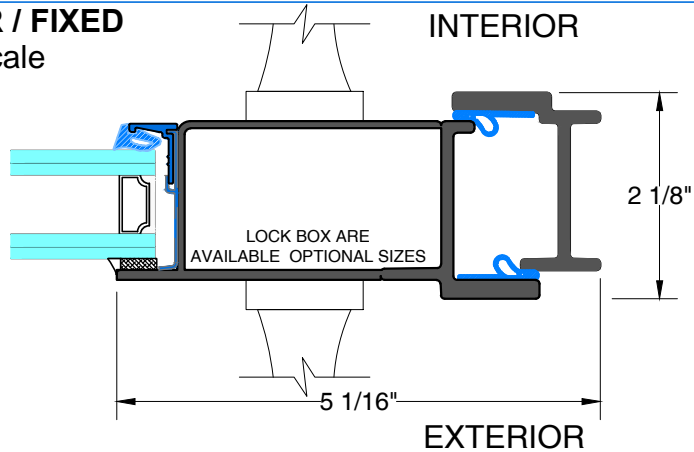
E TYPICAL FRENCH MEETING RAIL



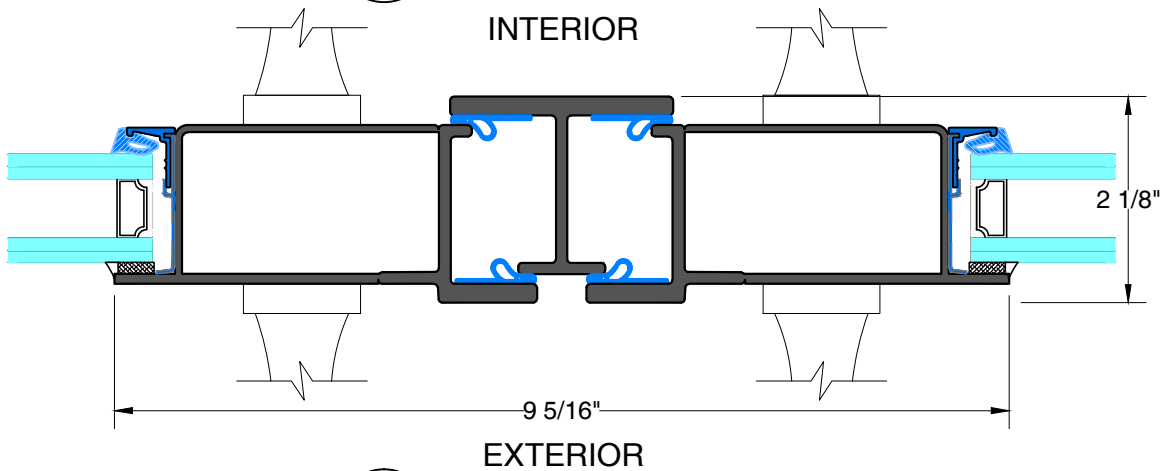
Typical Details

OUTSWING DOOR / FIXED
Scale: Half Scale

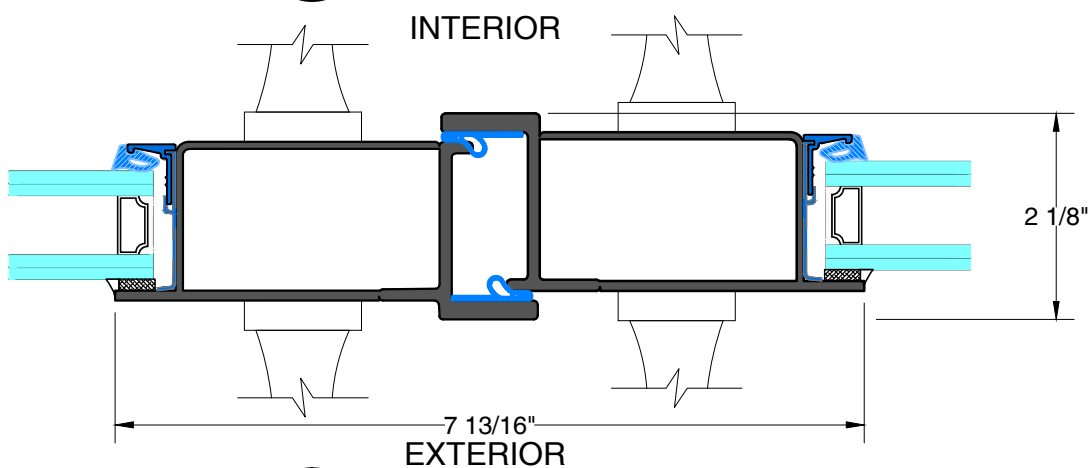
PAGE 4 OF 7



G TYPICAL LOCKBOX SINGLE DOOR



G TYPICAL LOCKBOX DOUBLE DOOR



H TYPICAL LOCKBOX FRENCH DOOR



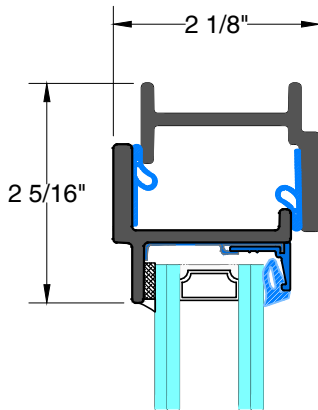
RELIANT HR4700-OD_{SERIES}

Typical Details

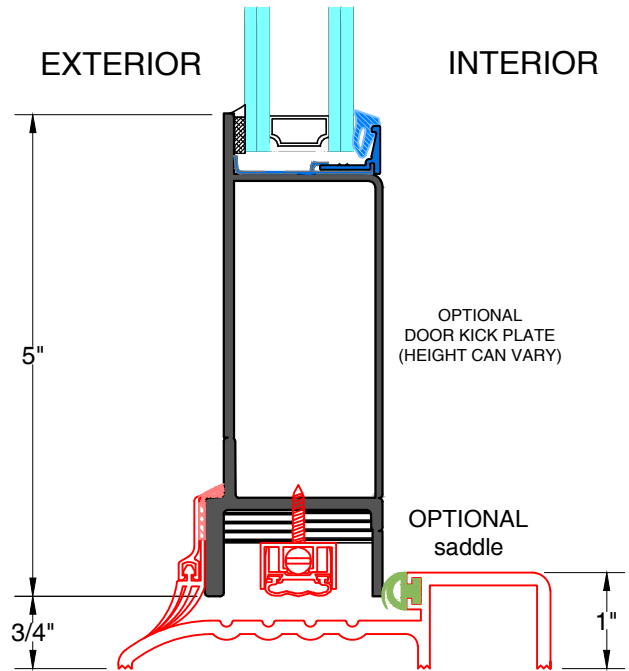
OUTSWING DOOR / FIXED
Scale: Half Scale

PAGE 5 OF 7

EXTERIOR INTERIOR

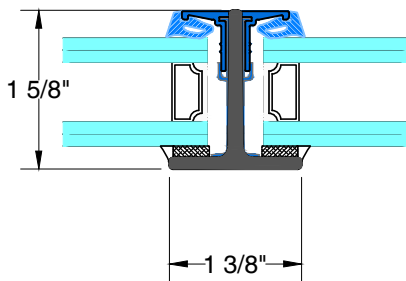


J TYPICAL HEAD



K TYPICAL KICKPLATE

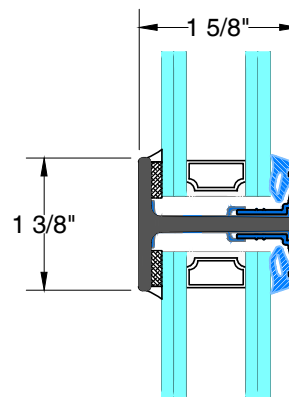
INTERIOR



EXTERIOR

L TYPICAL VERTICAL MUNTIN

EXTERIOR INTERIOR



M TYPICAL HORIZONTAL MUNTIN



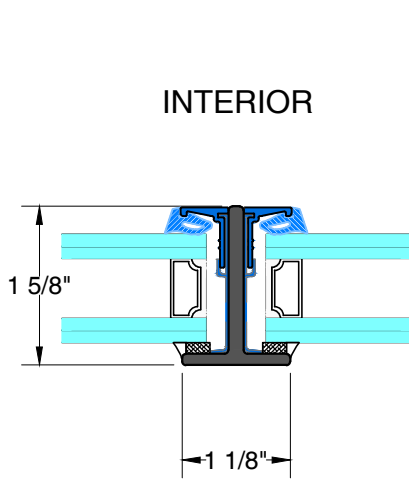
RELIANT HR4700-OD_{SERIES}

Typical Details

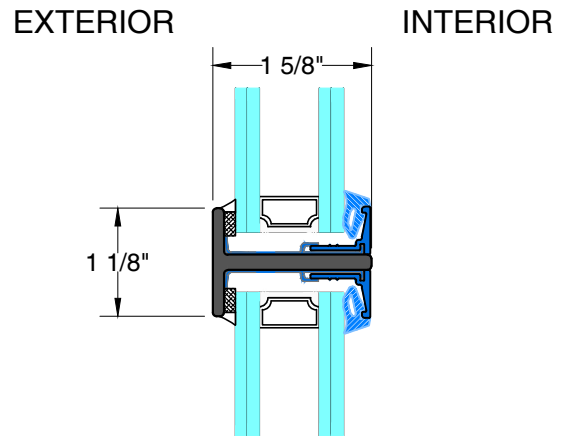
OUTSWING DOOR / FIXED
Scale: Half Scale

PAGE 6 OF 7

OPTIONAL 1 1/8" MUNTIN

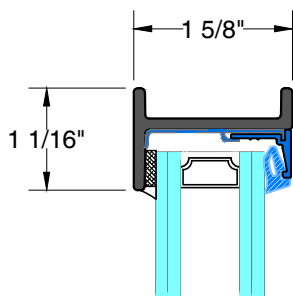


L TYPICAL VERTICAL MUNTIN



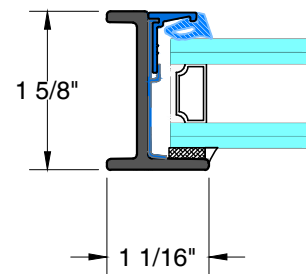
M TYPICAL HORIZONTAL MUNTIN

EXTERIOR INTERIOR



N&P TYPICAL FIXED HEAD & SILL

INTERIOR



R&S TYPICAL FIXED JAMB

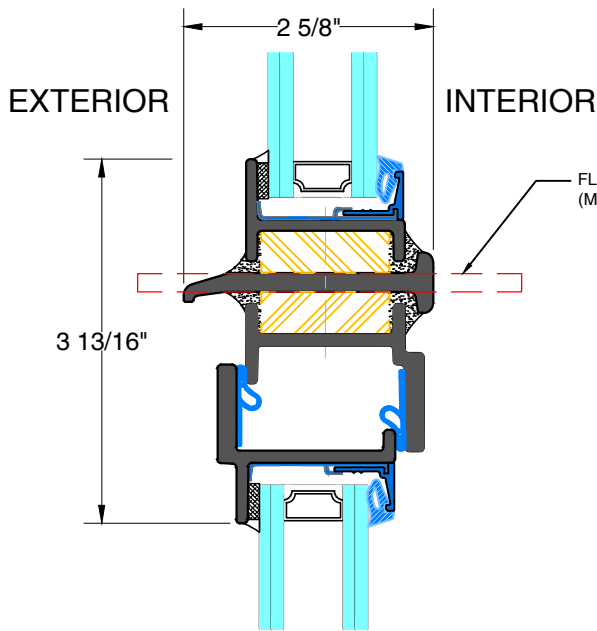


RELIANT HR4700-OD_{SERIES}

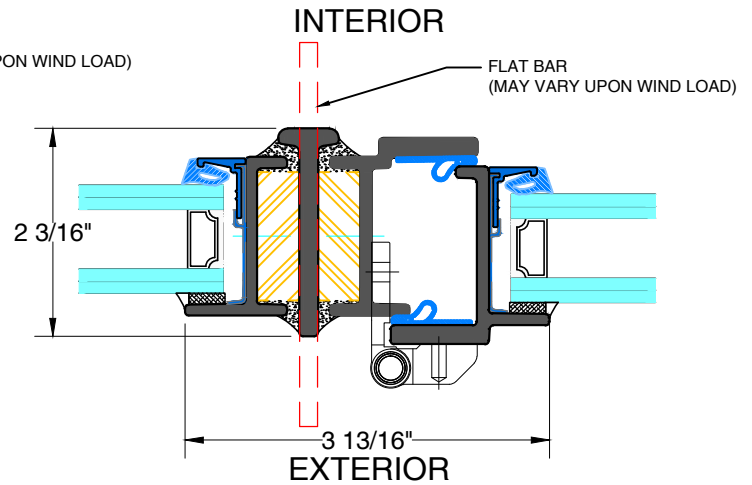
Typical Details

OUTSWING DOOR / FIXED
Scale: Half Scale

PAGE 7 OF 7

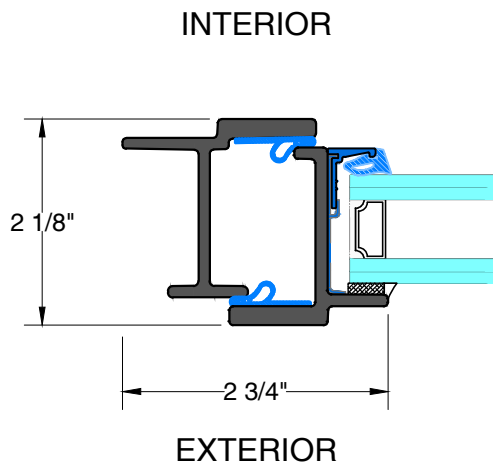


T TYPICAL STACKING MULLION

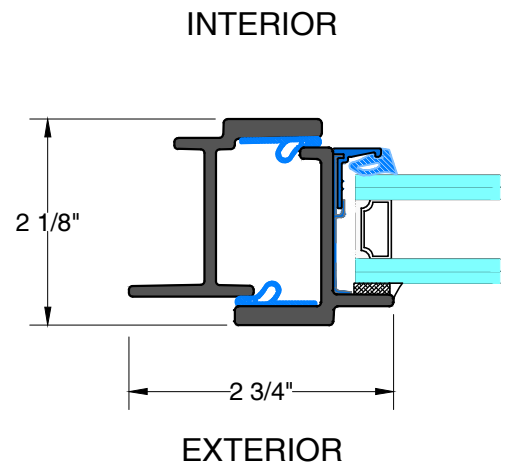


V TYPICAL JOINING MULLION

OPTIONAL FLANGE FRAME



1 TYPICAL INTERIOR FLANGE



2 TYPICAL EXTERIOR FLANGE

