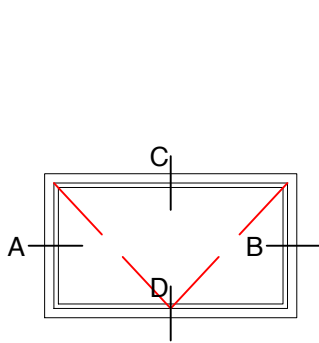


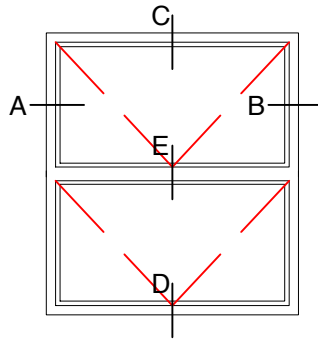
Typical Exterior Elevations

PROJECT IN / FIXED

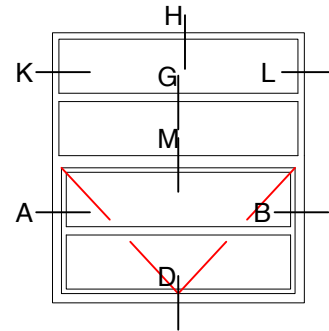
Scale: Not To Scale



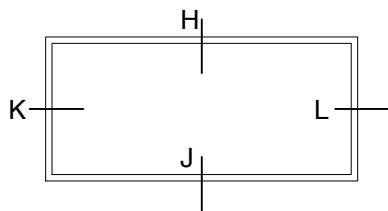
HR4711-PI



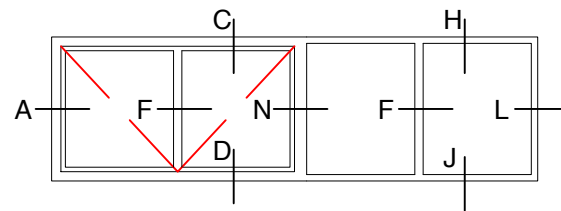
HR4712-PI-PI



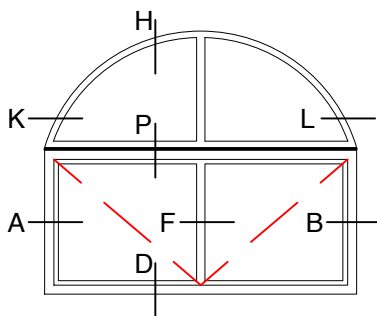
HR4714-PI-FX



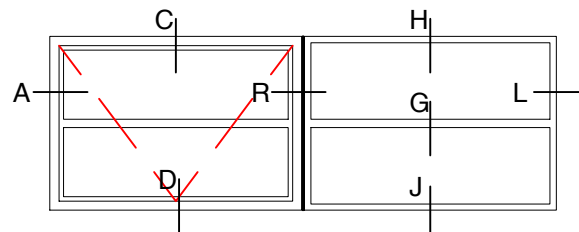
HR4711-FX



HR4741-PI-FX



HR4722-PI-FX ARCH

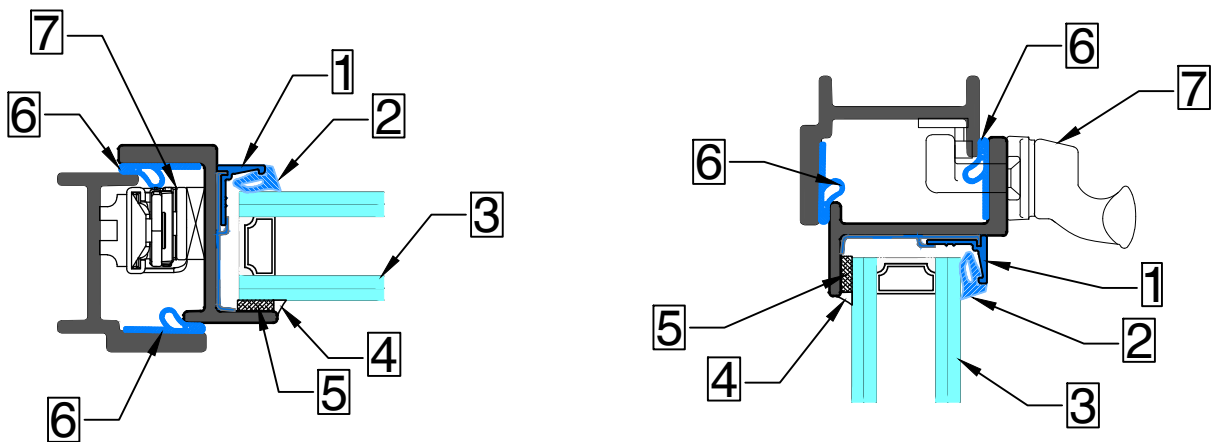


HR4722-PI-FX



KEY (TYPICAL)

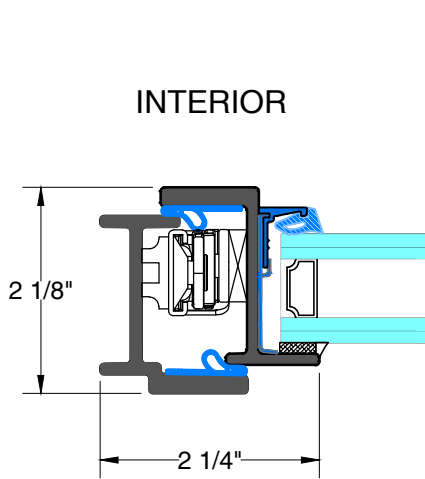
1. SNAP IN ALUMINUM GLAZING BEAD (OTHER OPTIONS AVAILABLE)
2. EXTRUDED SILICONE WEDGE GASKET (BY OWM)
3. GLASS AND GLAZING (BY OTHERS)
4. SILICONE CAP BEAD (BY OTHERS)
5. FOAM GLAZING TAPE (BY OTHERS)
6. WEATHER STRIPPING (EPDM)
7. STAINLESS STEEL 4-BAR HINGE
8. WHITE BRONZE PROJECT IN FASTENER WITH KEEPER
*NOTE: WHITE BRONZE HARDWARE IS OWM'S STANDARD (OTHER OPTIONS AND FINISHES AVAILABLE)



Typical Details

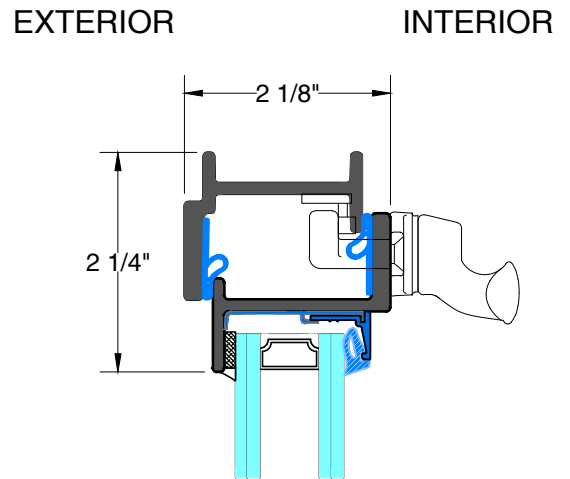
INSWING CASEMENTS / FIXED

Scale: Half Scale

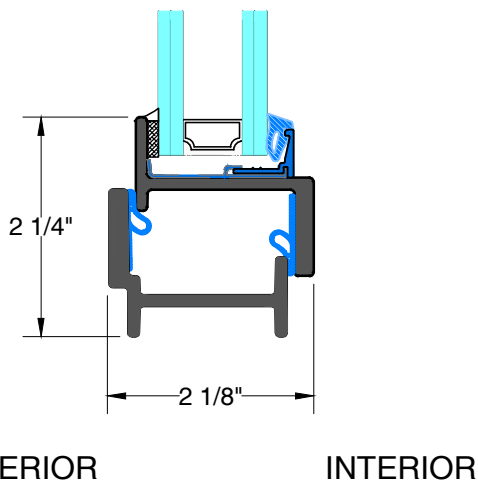


EXTERIOR

A&B — **TYPICAL HINGED JAMB**

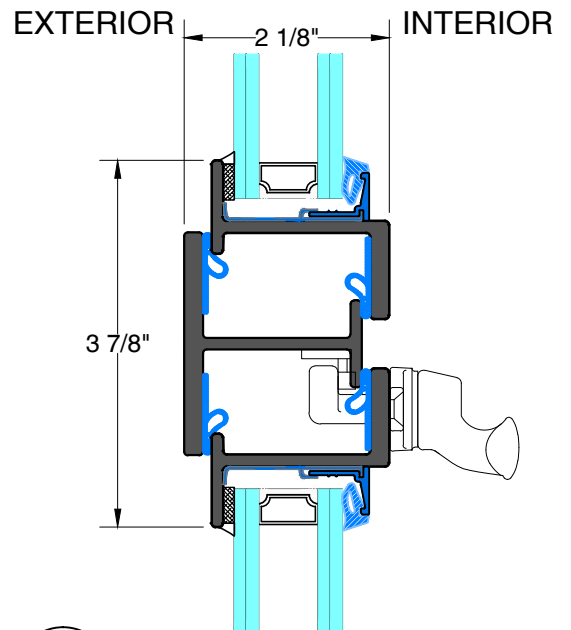


C — **TYPICAL LOCKING HEAD**



EXTERIOR INTERIOR

D — **TYPICAL SILL**

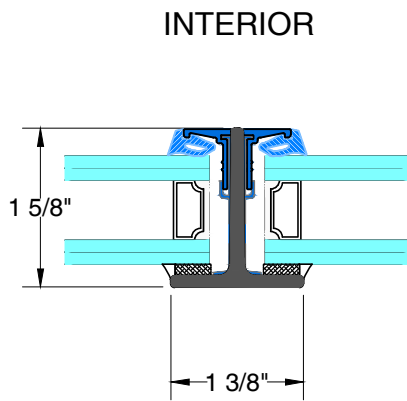


E — **TYPICAL STACKING JOINT**

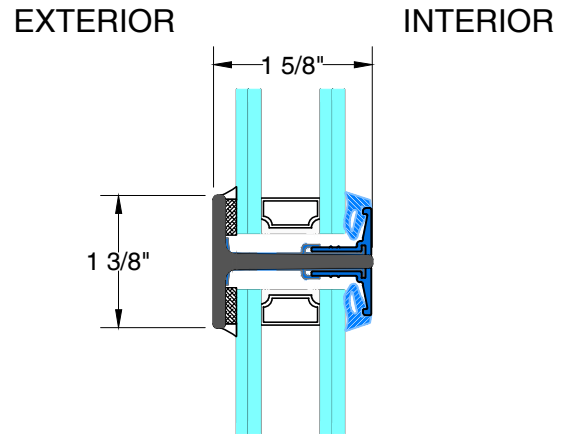


Typical Details

INSWING CASEMENTS / FIXED
Scale: Half Scale

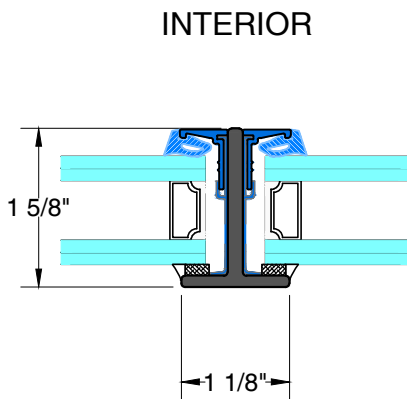


F TYPICAL VERTICAL MUNTIN

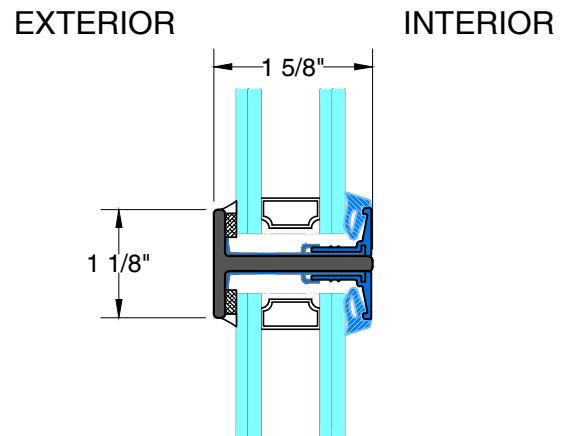


G TYPICAL HORIZONTAL MUNTIN

OPTIONAL 1 1/8" MUNTIN



F TYPICAL VERTICAL MUNTIN



G TYPICAL HORIZONTAL MUNTIN



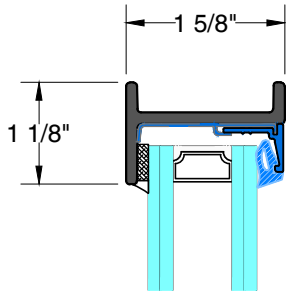
Typical Details

INSWING CASEMENTS / FIXED

Scale: Half Scale

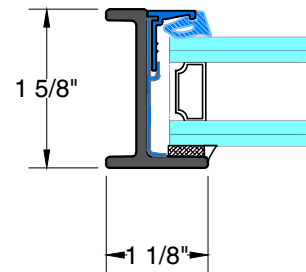
EXTERIOR

INTERIOR



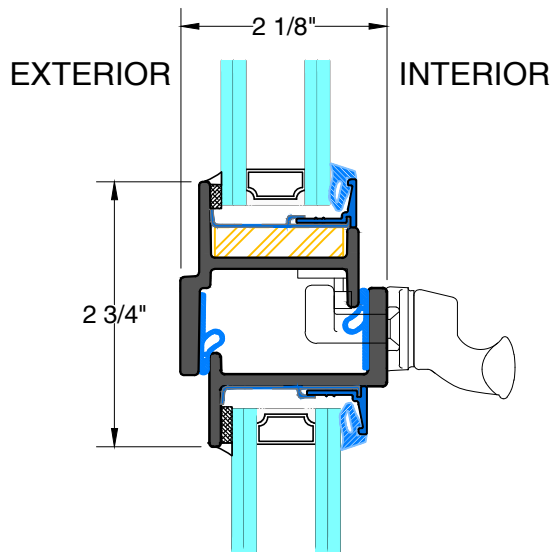
H&J TYPICAL FIXED HEAD & SILL

INTERIOR



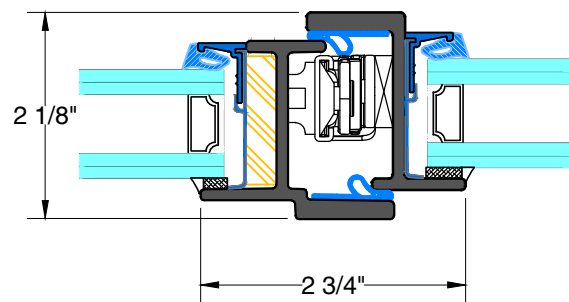
K&L TYPICAL FIXED JAMB

EXTERIOR



M TYPICAL HEAD W/ TRANSOM

INTERIOR



N TYPICAL JAMB W/ SIDELITE

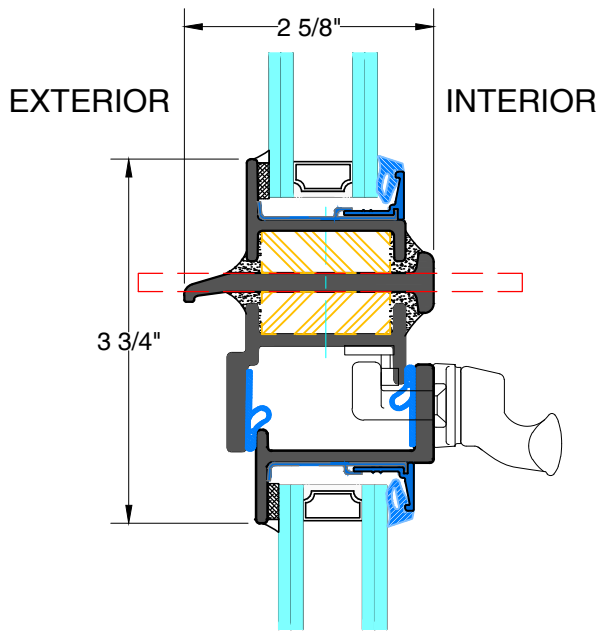
EXTERIOR



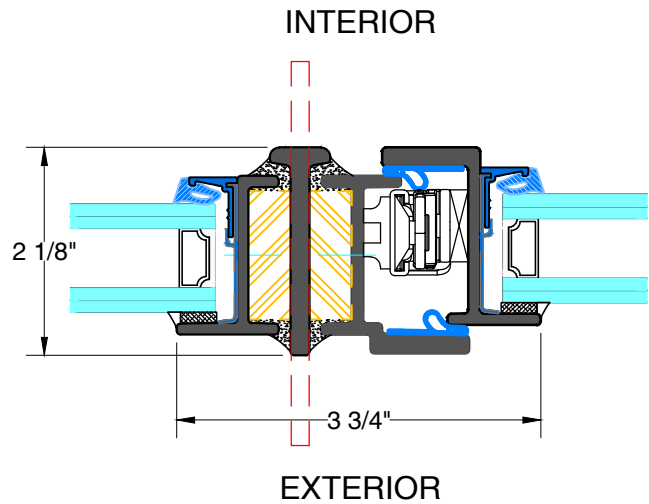
Typical Details

INSWING CASEMENTS / FIXED

Scale: Half Scale

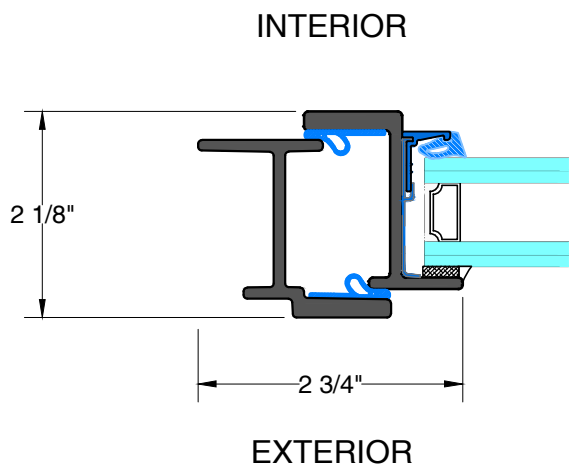


P TYPICAL STACKING MULLION

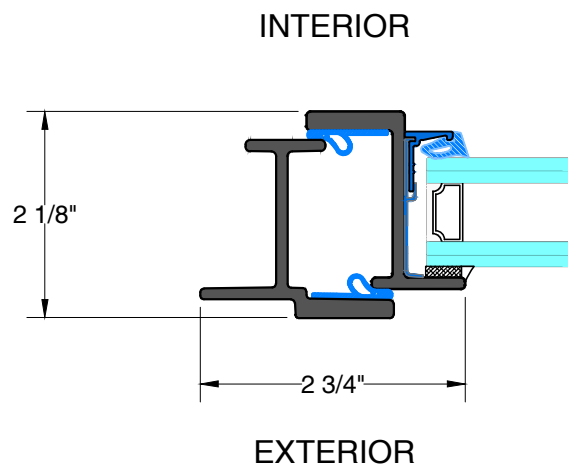


R TYPICAL JOINING MULLION

OPTIONAL FLANGE FRAME



1 TYPICAL INTERIOR FLANGE



2 TYPICAL EXTERIOR FLANGE

