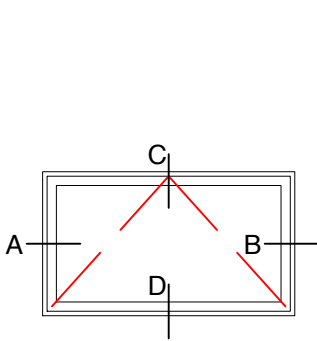


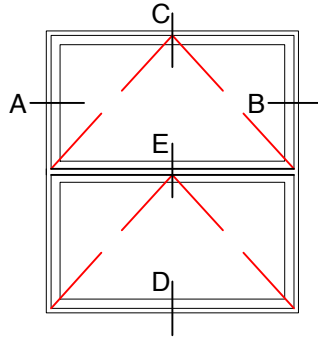
Typical Exterior Elevations

PROJECT OUT / FIXED

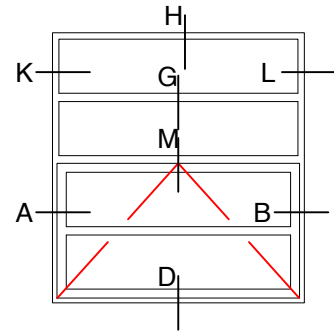
Scale: Not To Scale



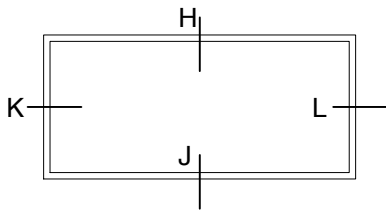
HR4711-PO



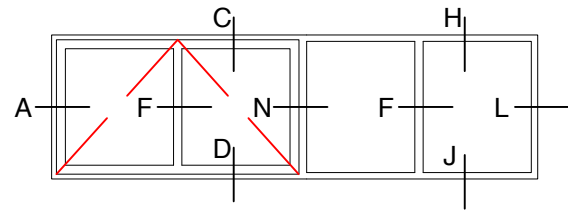
HR4712-PO-PO



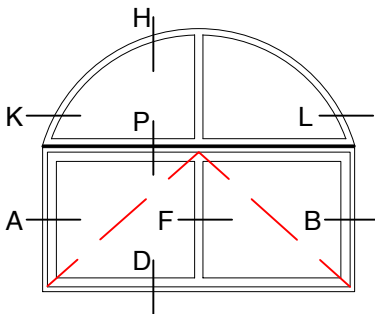
HR4714-PO-FX



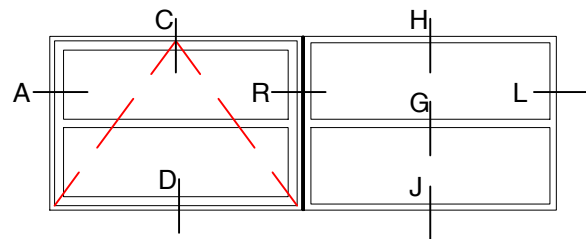
HR4711-FX



HR4741-PO-FX



HR4722-PO-FX ARCH

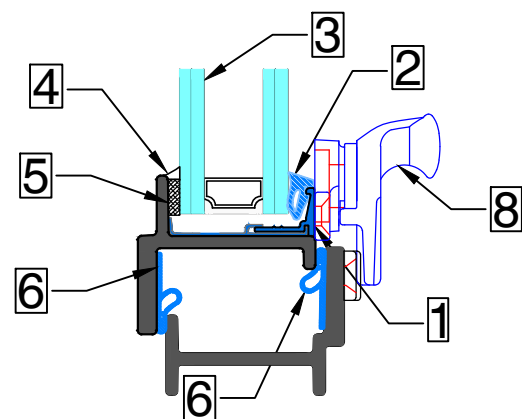
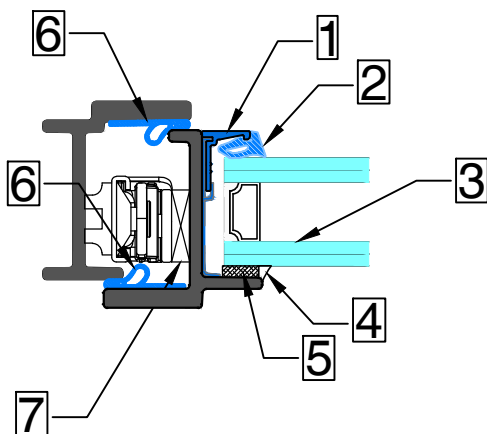


HR4722-PO-FX



KEY (TYPICAL)

1. SNAP IN ALUMINUM GLAZING BEAD (OTHER OPTIONS AVAILABLE)
 2. EXTRUDED SILICONE WEDGE GASKET (BY OWM)
 3. GLASS AND GLAZING (BY OTHERS)
 4. SILICONE CAP BEAD (BY OTHERS)
 5. FOAM GLAZING TAPE (BY OTHERS)
 6. WEATHER STRIPPING (EPDM)
 7. STAINLESS STEEL 4-BAR HINGE
 8. WHITE BRONZE PROJECT IN FASTENER WITH KEEPER
- *NOTE: WHITE BRONZE HARDWARE IS OWM'S STANDARD (OTHER OPTIONS AND FINISHES AVAILABLE)

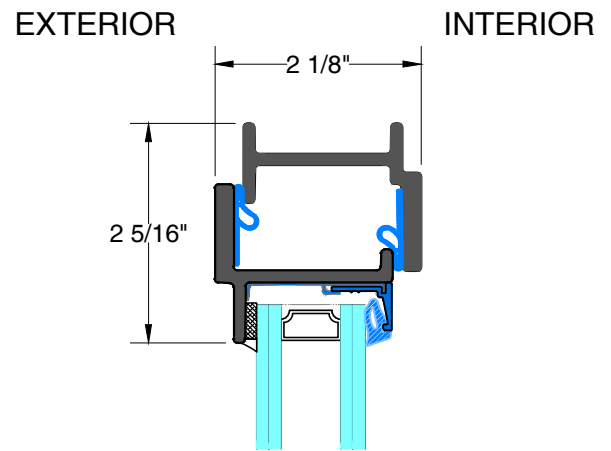
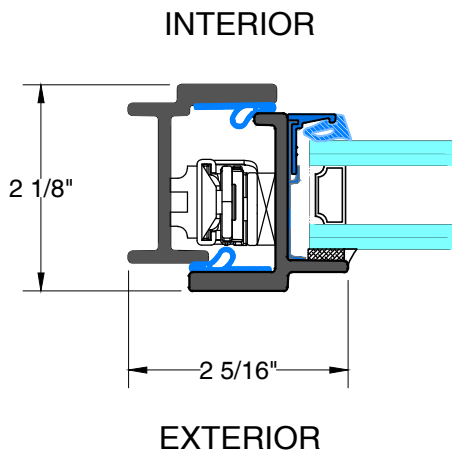


RELIANT HR4700-PO_{SERIES}

Typical Details

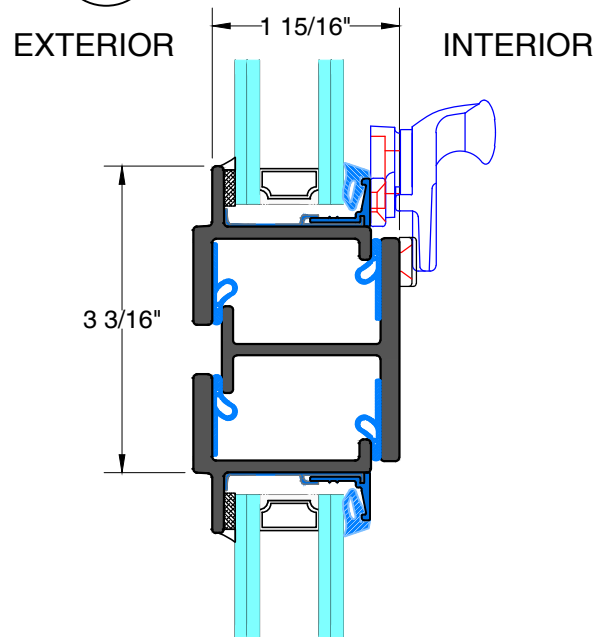
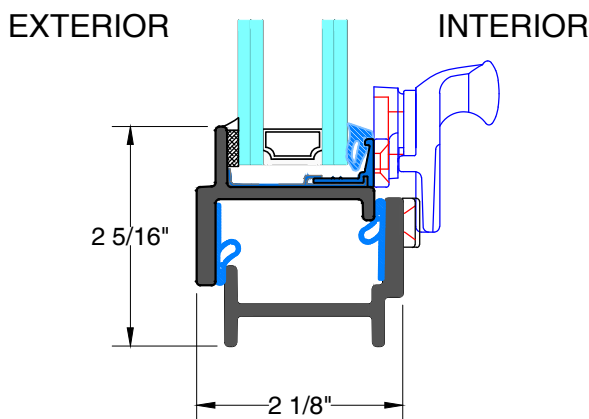
PROJECT OUT / FIXED
Scale: Half Scale

PAGE 3 OF 6



A&B TYPICAL HINGED JAMB

C TYPICAL HEAD



D TYPICAL SILL

E TYPICAL STACKING JOINT

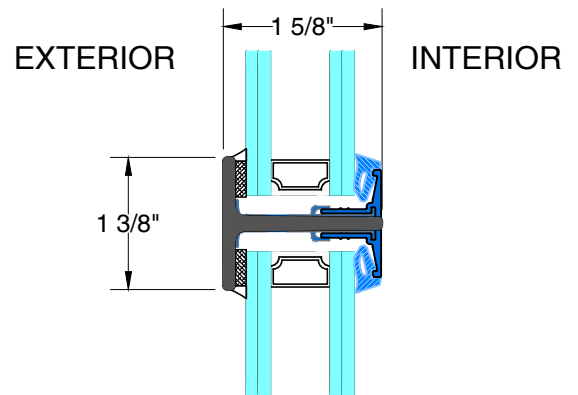
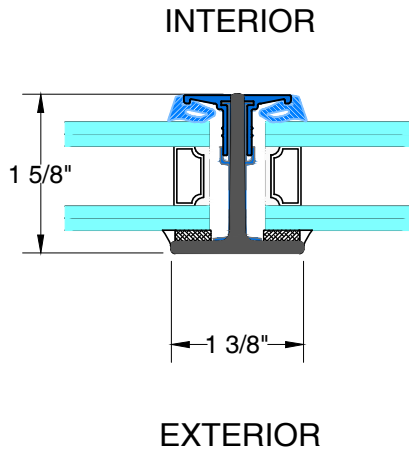


RELIANT HR4700-PO_{SERIES}

Typical Details

PROJECT OUT / FIXED
Scale: Half Scale

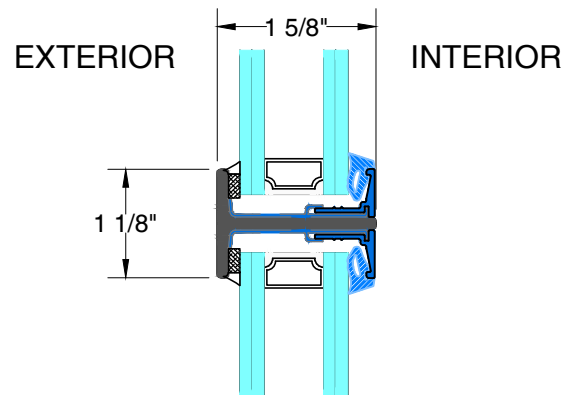
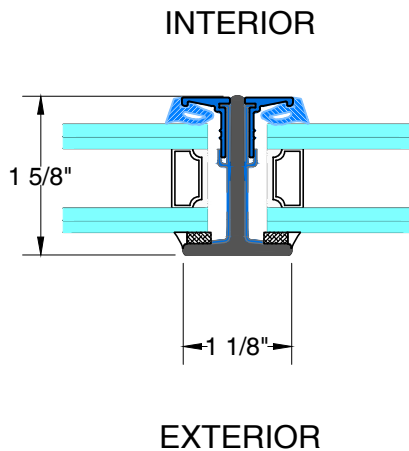
PAGE 4 OF 6



F TYPICAL
VERTICAL MUNTIN

G TYPICAL
HORIZONTAL MUNTIN

OPTIONAL 1 1/8" MUNTIN



F TYPICAL
VERTICAL MUNTIN

G TYPICAL
HORIZONTAL MUNTIN

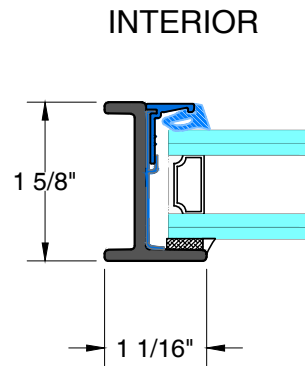
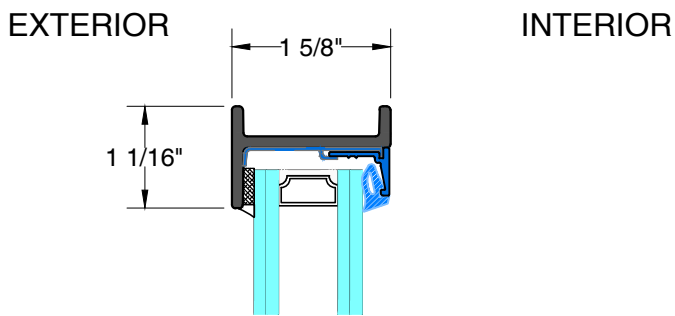


RELIANT HR4700-PO_{SERIES}

Typical Details

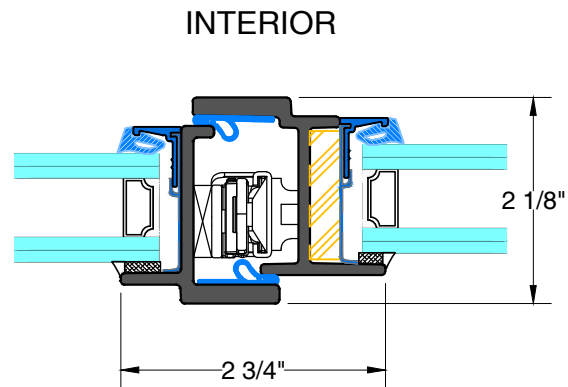
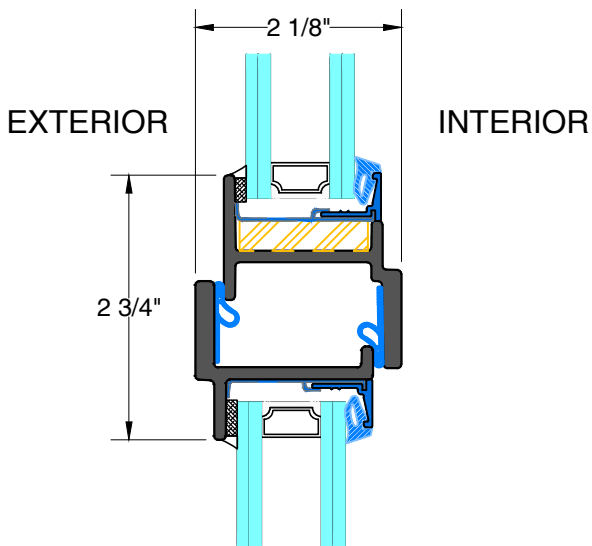
PROJECT OUT / FIXED
Scale: Half Scale

PAGE 5 OF 6



H&J TYPICAL FIXED
HEAD & SILL

K&L TYPICAL FIXED
JAMB



M TYPICAL HEAD
W/ TRANSOM

N TYPICAL JAMB
W/ SIDELITE

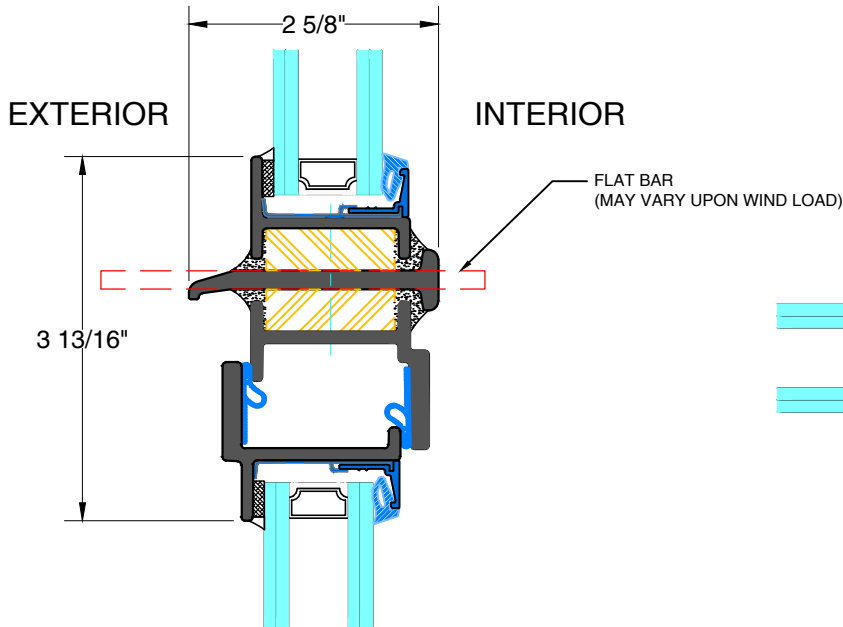


RELIANT HR4700-PO_{SERIES}

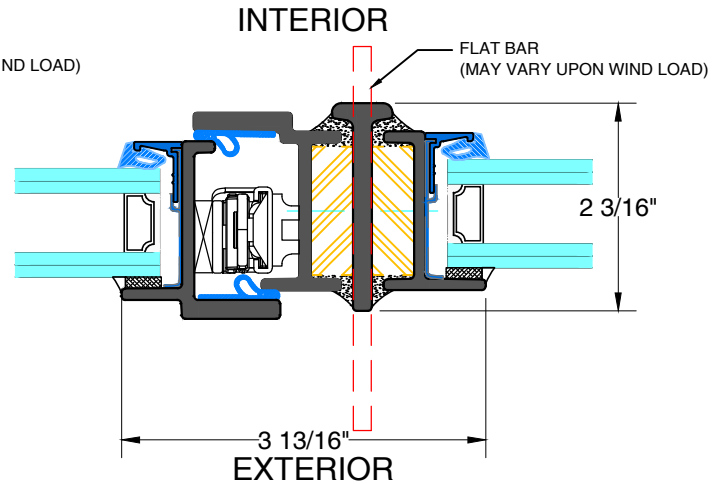
Typical Details

PROJECT OUT / FIXED
Scale: Half Scale

PAGE 6 OF 6

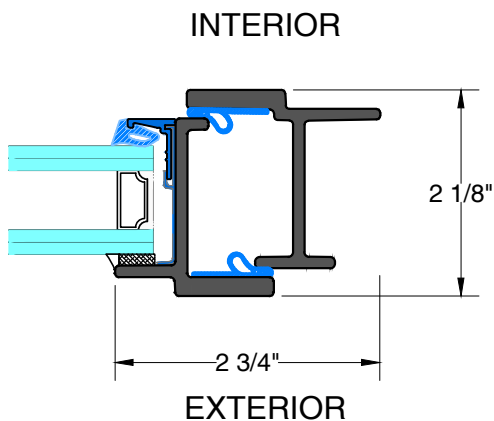


P TYPICAL STACKING
MULLION

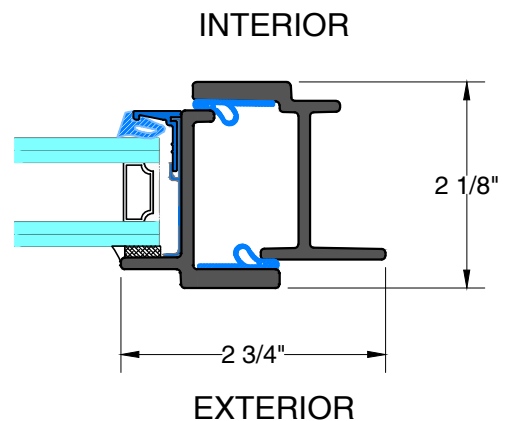


R TYPICAL JOINING
MULLION

OPTIONAL FLANGE FRAME



1 TYPICAL JAMB
INTERIOR FLANGE



2 TYPICAL JAMB
EXTERIOR FLANGE



28 Canal Street, Ellenville, NY 12428
Phone (845) 647-1900

