

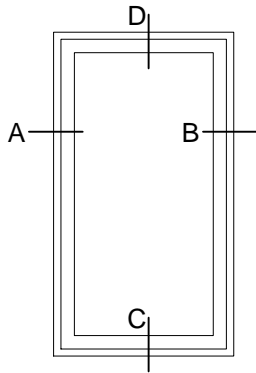
Typical Exterior Elevations

PRINCETON-FX SERIES

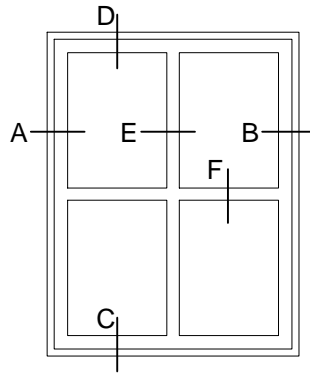
OUTSWING CASEMENTS / FIXED

Scale: Not To Scale

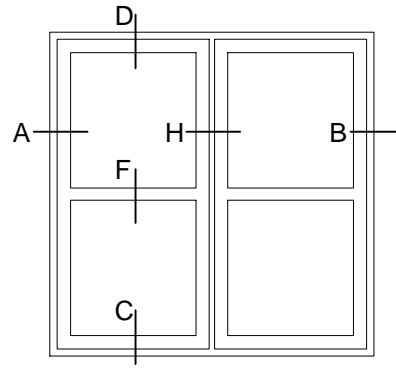
PAGE 1 OF 6



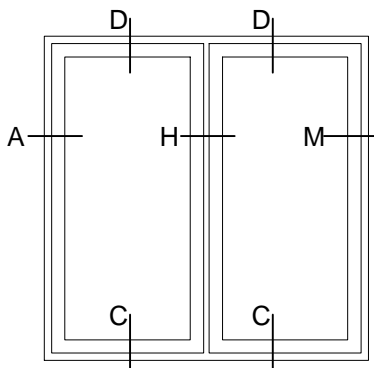
HR4711P-FX



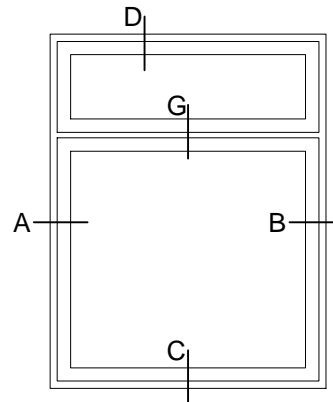
HR4722P-FX



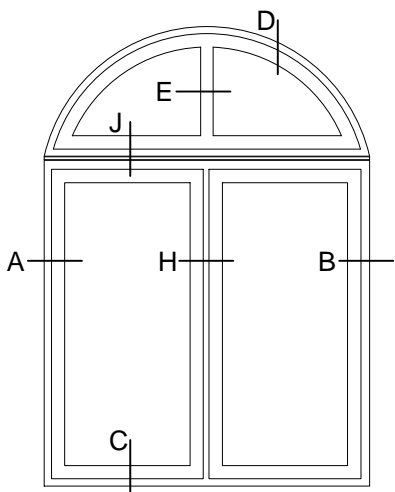
HR4722P-DB-FX



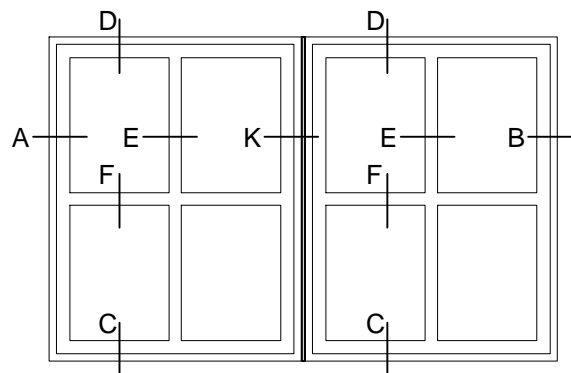
HR4721P-FX



HR4712P-FX



HR4722P-FX ARCH

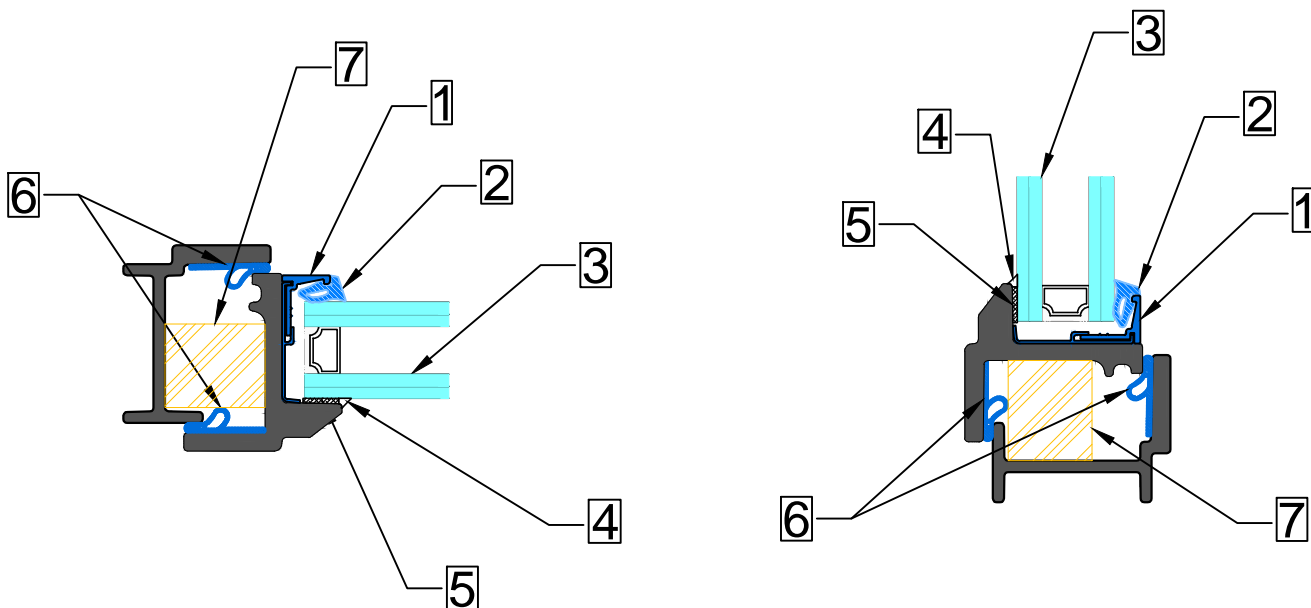


HR4742P-FX



KEY (TYPICAL)

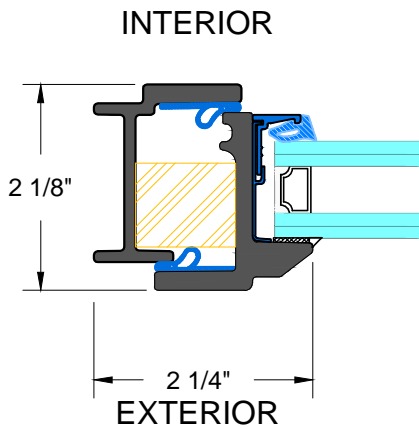
1. Snap in aluminum glazing bead (other options available)
2. Extruded EPDM wedge gasket (by OWM)
3. Glass and glazing (by others)
4. Silicone cap bead (by others)
5. Foam glazing tape (by others)
6. Weather stripping
7. Non-corrosive blocking (by OWM)



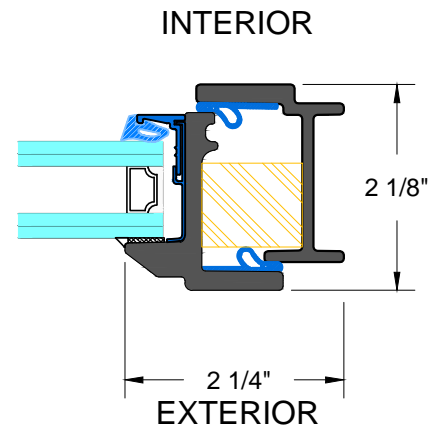
Typical Details

OUTSWING CASEMENTS / FIXED

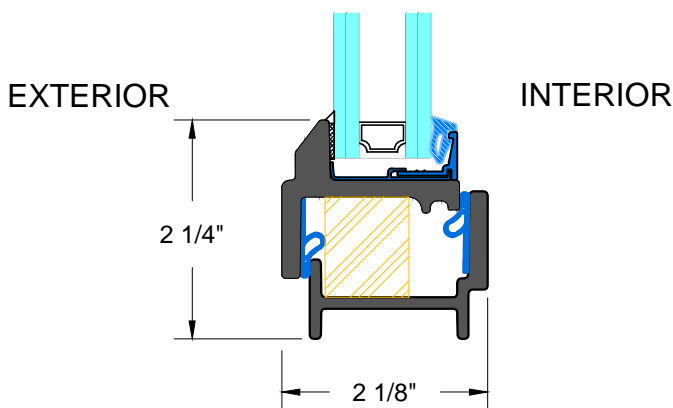
Scale: Half Scale



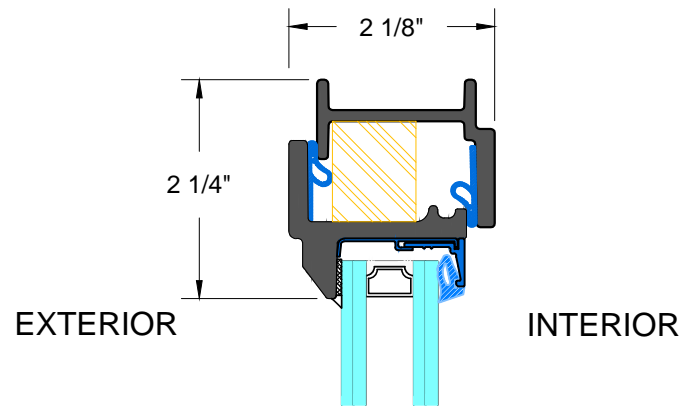
A TYPICAL LEFT JAMB



B TYPICAL RIGHT JAMB



C TYPICAL SILL



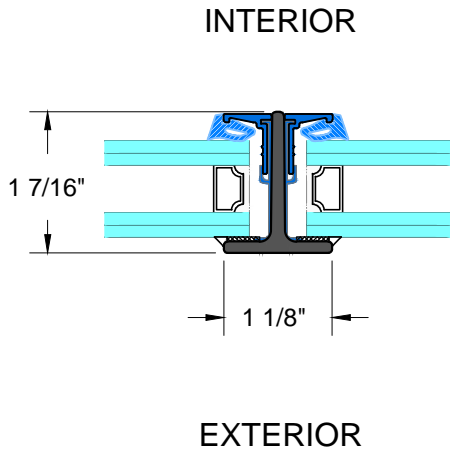
D TYPICAL HEAD



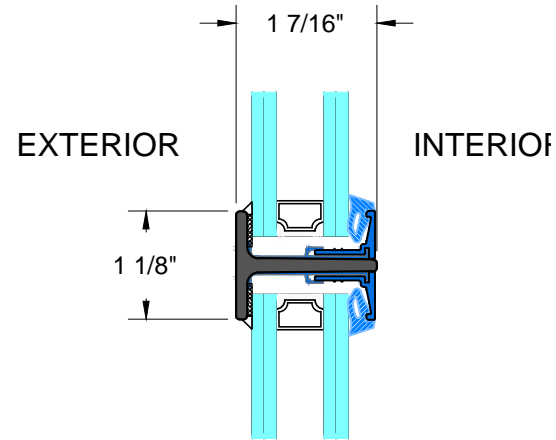
Typical Details

OUTSWING CASEMENTS / FIXED

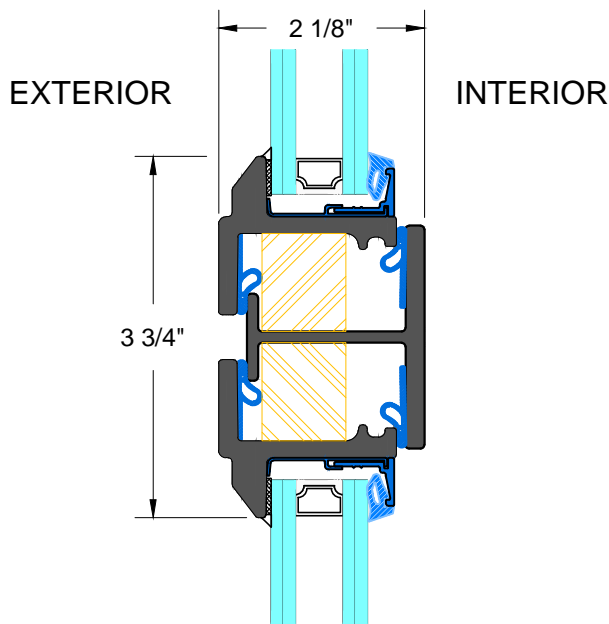
Scale: Half Scale



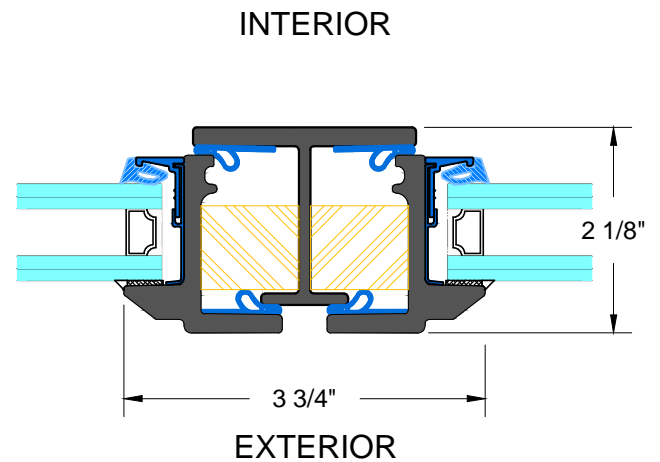
E TYPICAL VERTICAL MUNTIN



F TYPICAL HORIZONTAL MUNTIN



G TYPICAL HEAD W/ TRANSOM



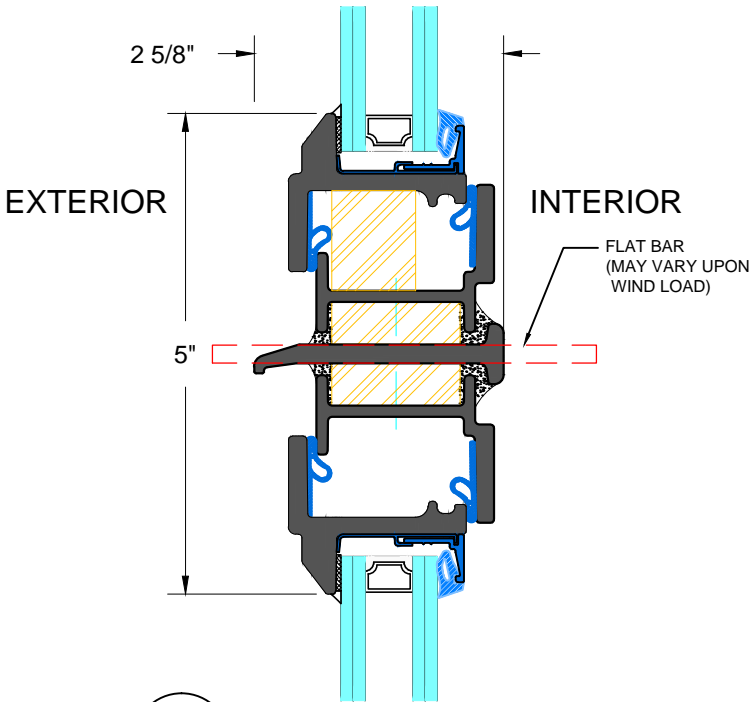
H TYPICAL JAMB W/ SIDELITE



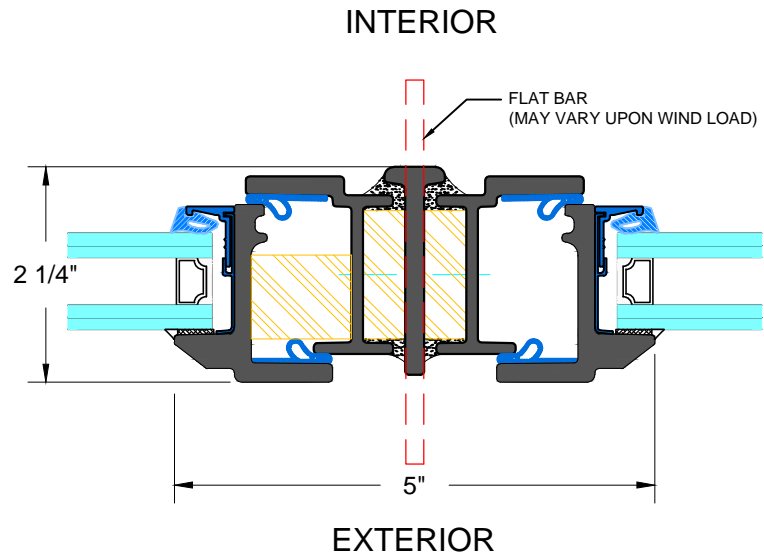
Typical Details

OUTSWING CASEMENTS / FIXED

Scale: Half Scale

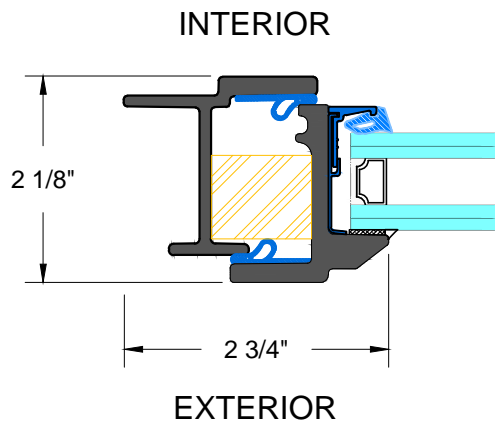


J TYPICAL STACKING MULLION

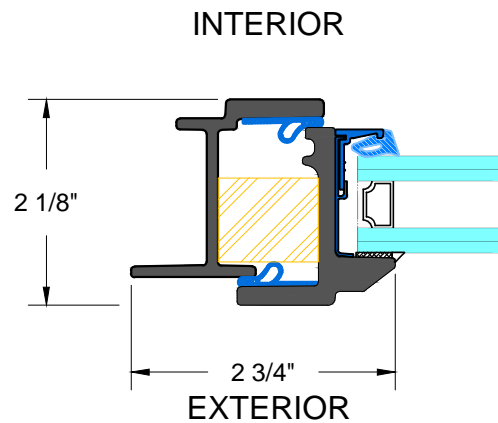


K TYPICAL JOINING MULLION

OPTIONAL FLANGE FRAME



1 TYPICAL JAMB INTERIOR FLANGE



2 TYPICAL JAMB EXTERIOR FLANGE



INTERIOR GLAZING

