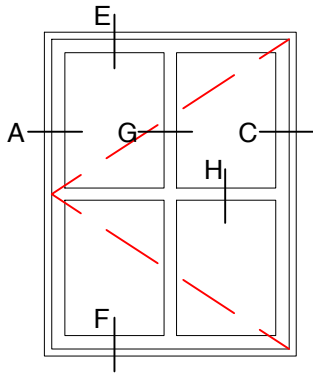


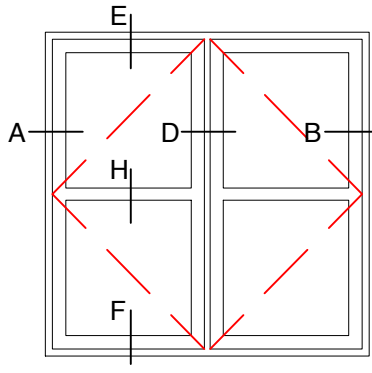
Typical Exterior Elevations

OUTSWING CASEMENTS / FIXED

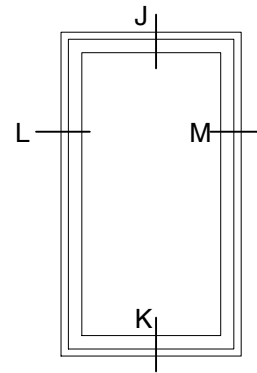
Scale: Not To Scale



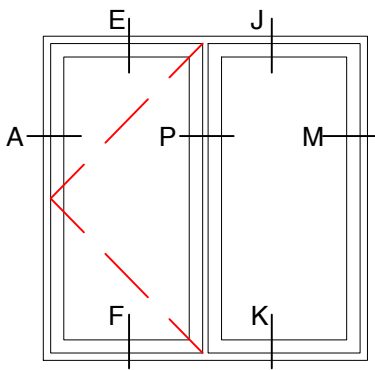
HR4722P-OC



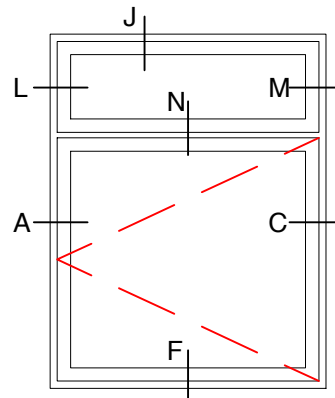
HR4722P-DB-OC



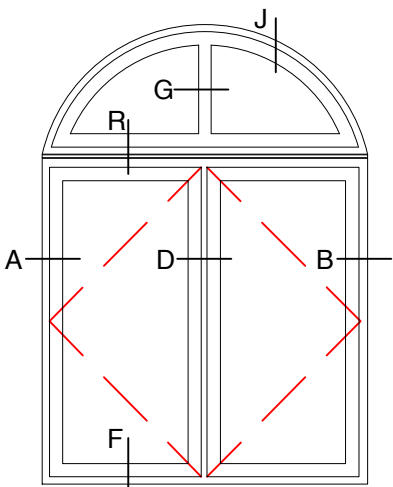
HR4711P-FX



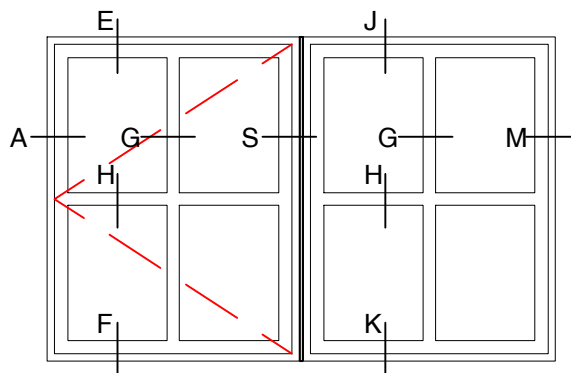
HR4721P-OC-FX



HR4712P-OC-FX



HR4722P-DB-OC-FX ARCH

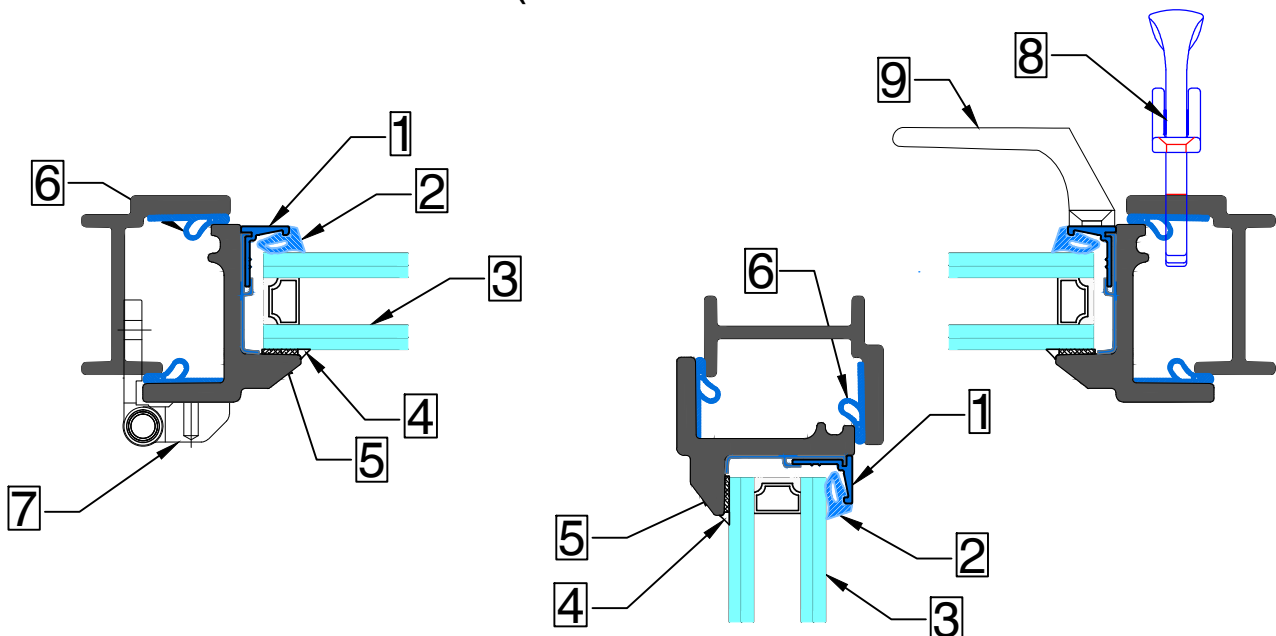


HR4742P-OC-FX



KEY (TYPICAL)

1. SNAP IN ALUMINUM GLAZING BEAD (OTHER OPTIONS AVAILABLE)
2. EXTRUDED SILICONE WEDGE GASKET (BY OWM)
3. GLASS AND GLAZING (BY OTHERS)
4. SILICONE CAP BEAD (BY OTHERS)
5. FOAM GLAZING TAPE (BY OTHERS)
6. WEATHER STRIPPING (EPDM)
7. ALUMINUM BUTT HINGE (OTHER OPTIONS AVAILABLE)
8. WHITE BRONZE PROJECT IN FASTENER WITH KEEPER
*NOTE: WHITE BRONZE HARDWARE IS OWM'S STANDARD (OTHER OPTIONS AND FINISHES AVAILABLE)
9. WHITE BRONZE T-PULL (LOCATED 4" ABOVE FASTENER)

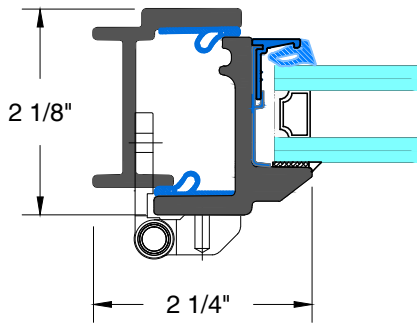


Typical Details

OUTSWING CASEMENTS / FIXED

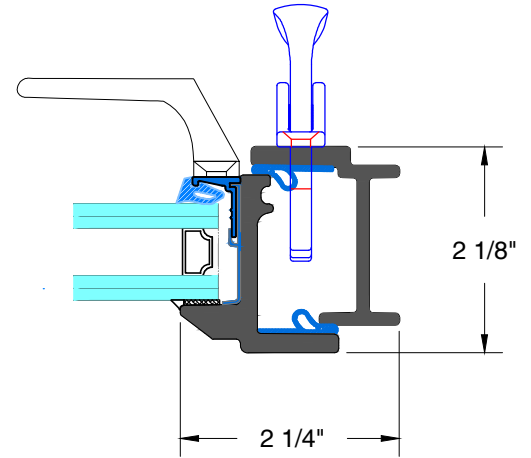
Scale: Half Scale

INTERIOR



EXTERIOR

INTERIOR

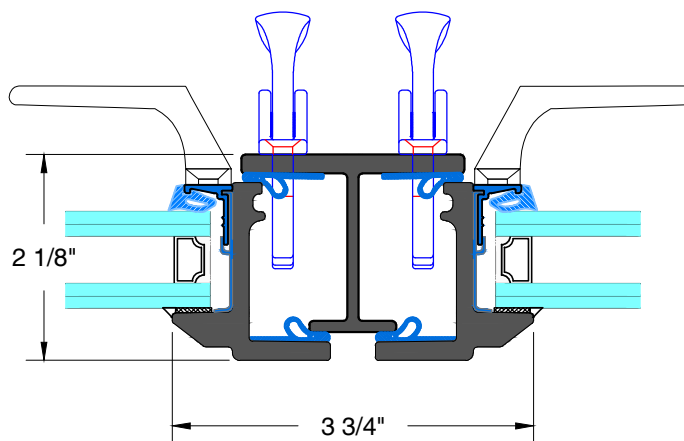


EXTERIOR

A&B TYPICAL HINGED JAMB

C TYPICAL LOCKING JAMB

INTERIOR



EXTERIOR

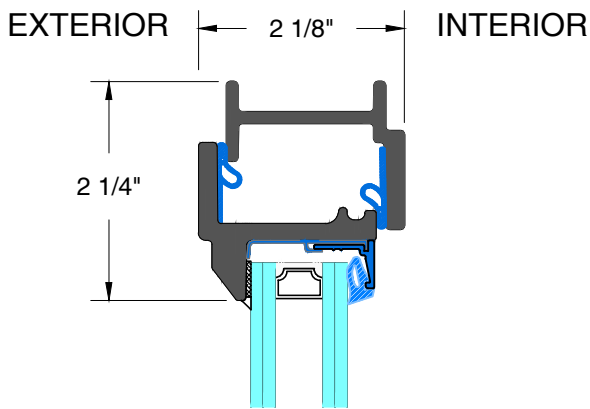
D TYPICAL MEETING RAIL



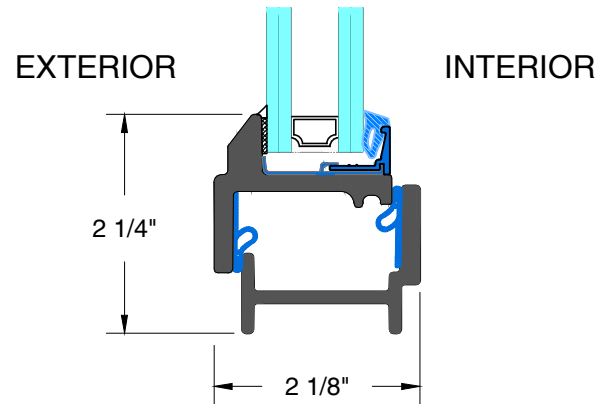
Typical Details

OUTSWING CASEMENTS / FIXED

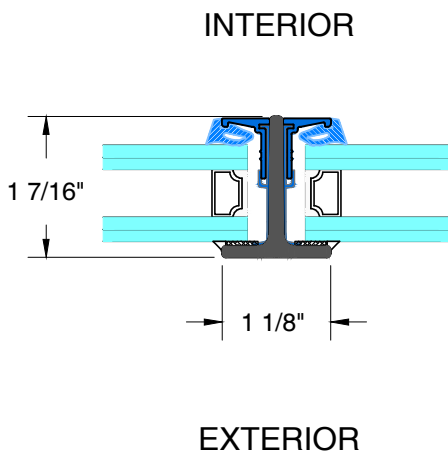
Scale: Half Scale



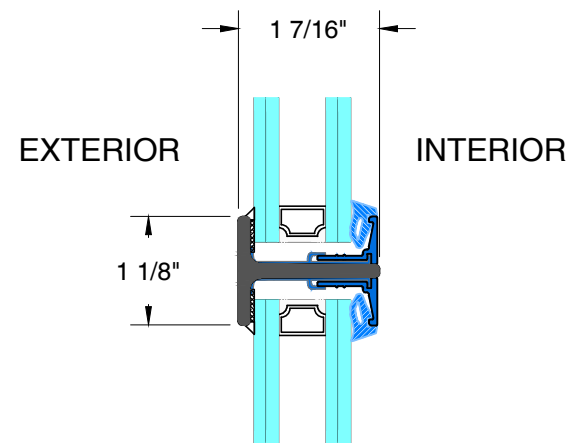
E TYPICAL HEAD



F TYPICAL SILL



G TYPICAL VERTICAL MUNTIN



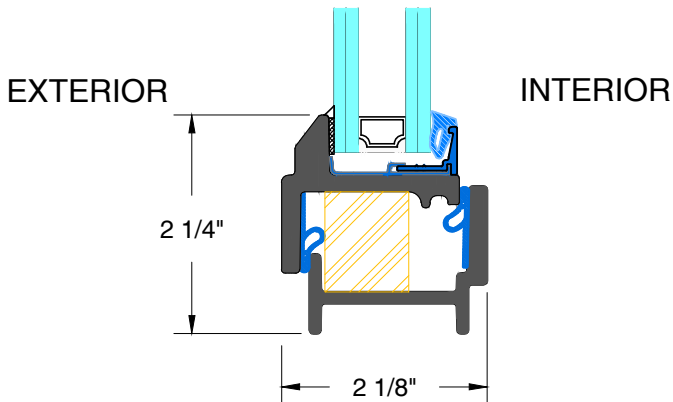
H TYPICAL HORIZONTAL MUNTIN



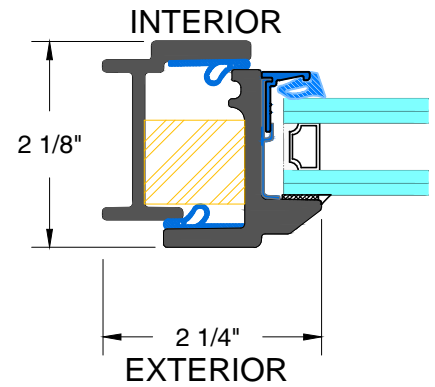
Typical Details

OUTSWING CASEMENTS / FIXED

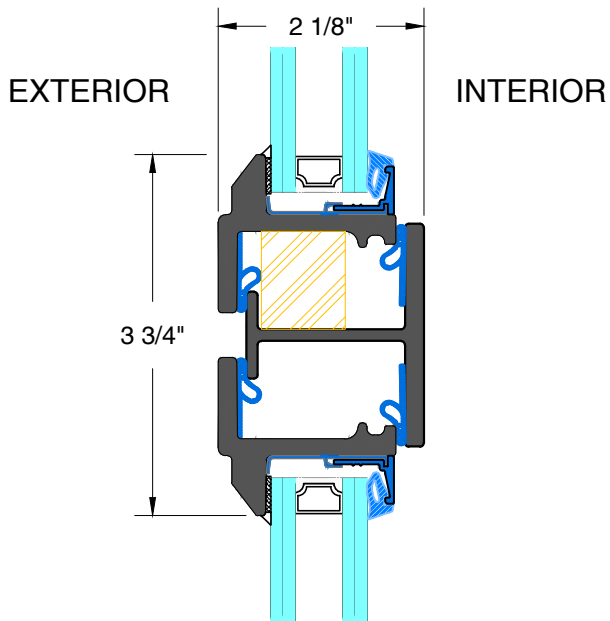
Scale: Half Scale



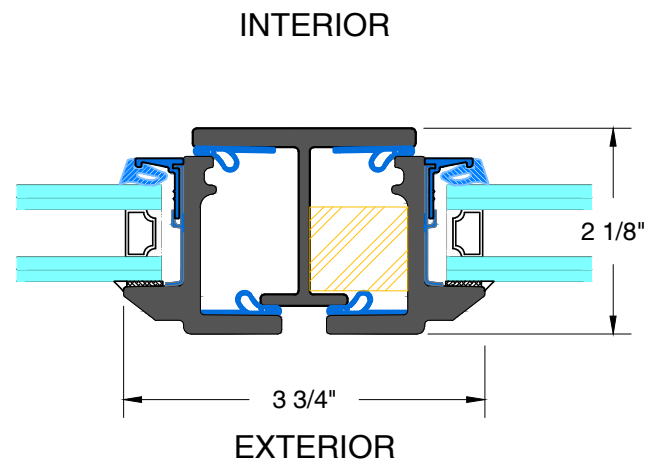
J&K TYPICAL FIXED HEAD & SILL



L&M TYPICAL FIXED JAMB



N TYPICAL HEAD W/ TRANSOM



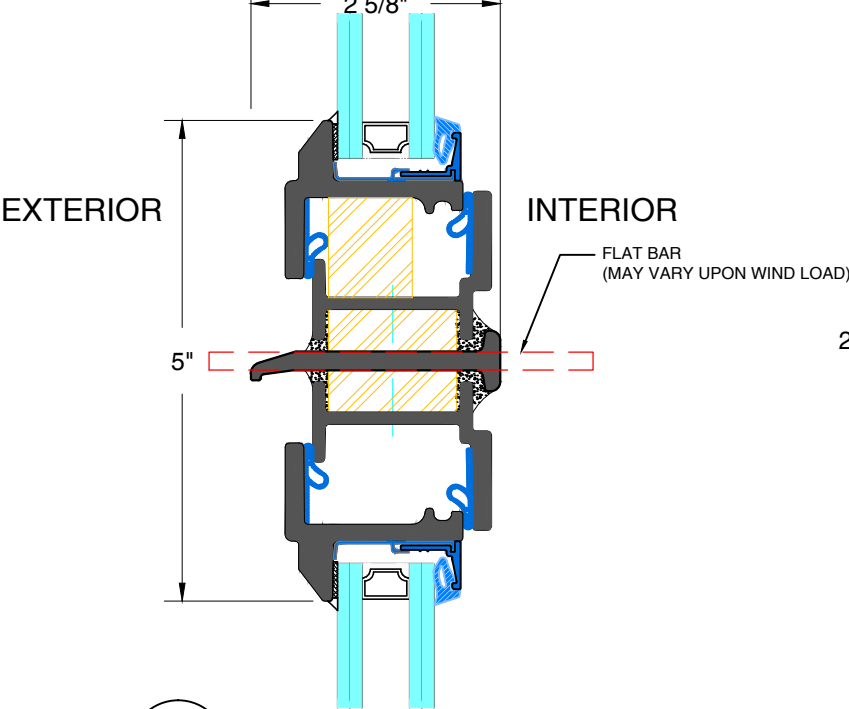
P TYPICAL JAMB W/ SIDELITE



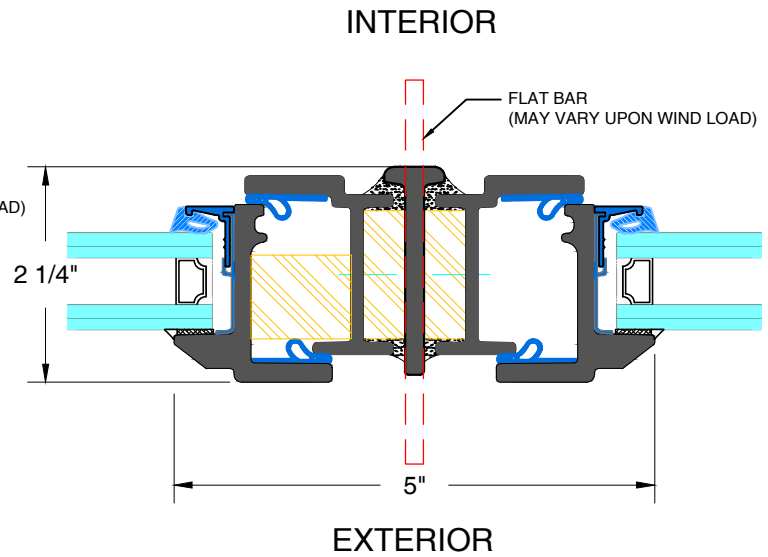
Typical Details

OUTSWING CASEMENTS / FIXED

Scale: Half Scale

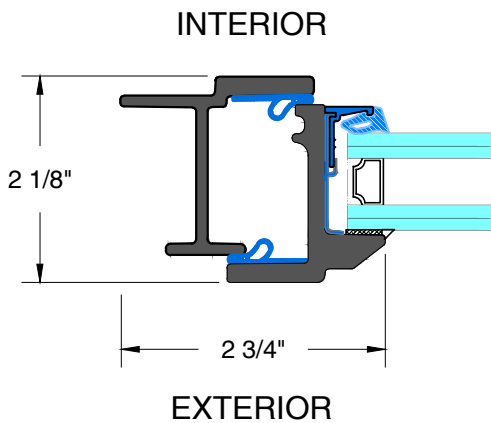


R TYPICAL STACKING MULLION

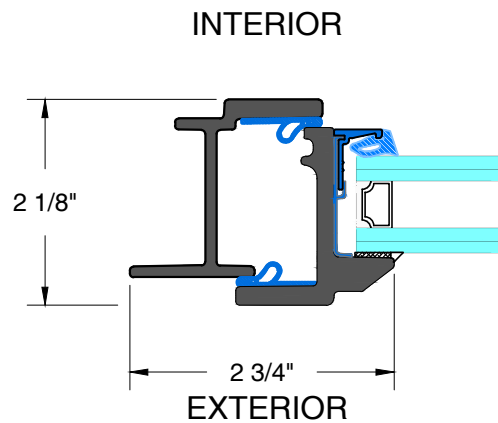


S TYPICAL JOINING MULLION

OPTIONAL FLANGE FRAME



1 TYPICAL JAMB INTERIOR FLANGE



2 TYPICAL JAMB EXTERIOR FLANGE

