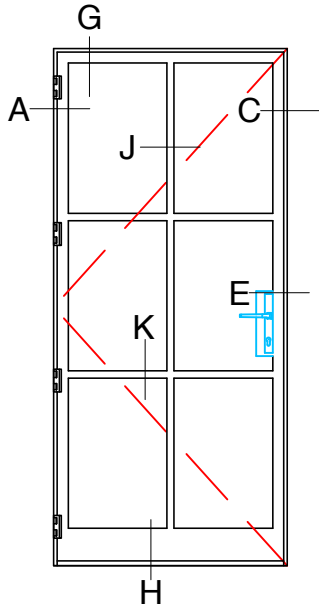


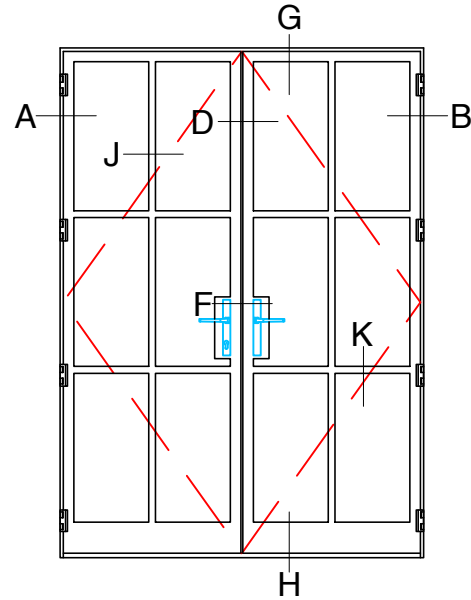
Typical Exterior Elevations

OUTSWING DOORS / FIXED

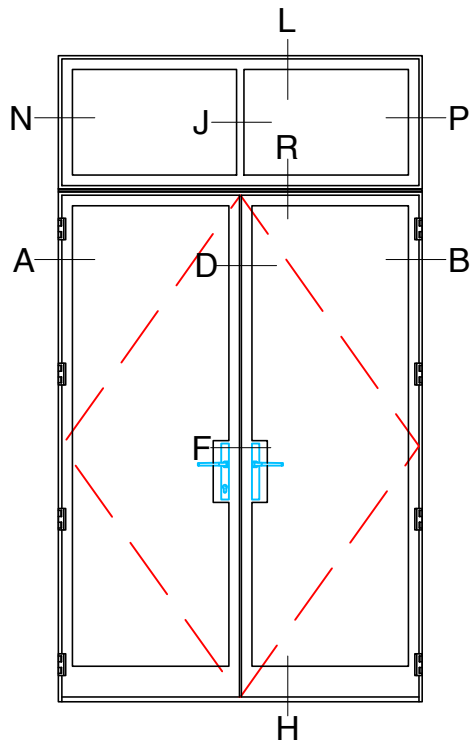
Scale: Not To Scale



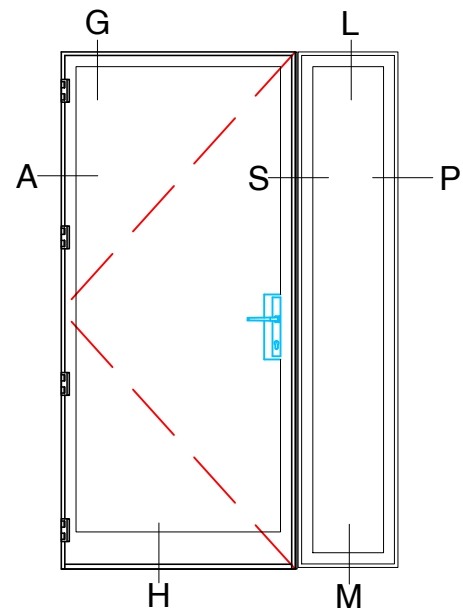
HR4723P-OD



HR4743P-DB-OD



HR4722P-DB-OD

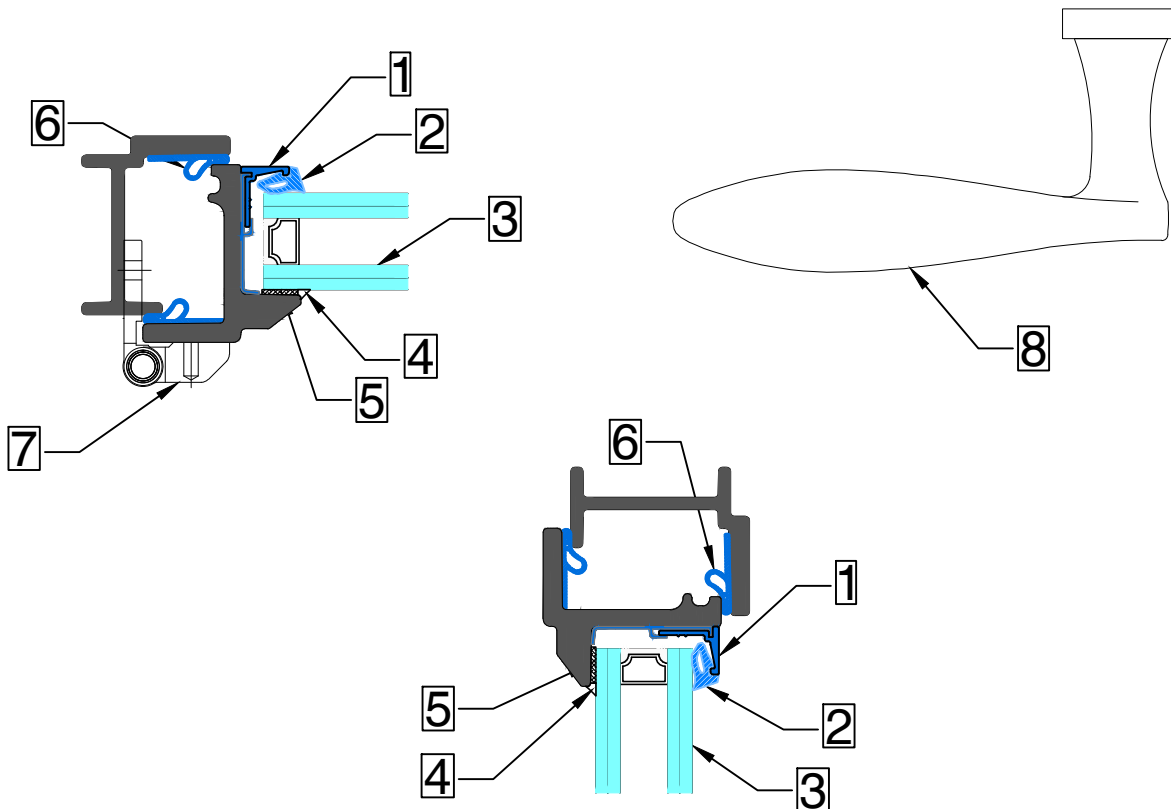


HR4721P-OD-FX



KEY (TYPICAL)

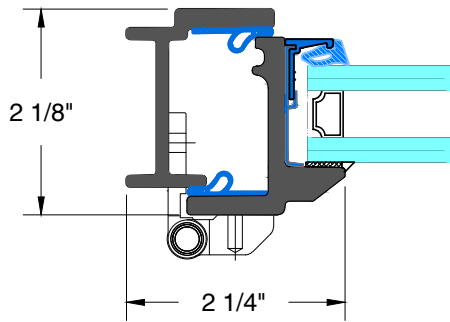
1. SNAP IN ALUMINUM GLAZING (BEAD OTHER OPTIONS AVAILABLE)
2. EXTRUDED SILICONE WEDGE GASKET (BY OWM)
3. GLASS AND GLAZING (BY OTHERS)
4. SILICONE CAP BEAD (BY OTHERS)
5. FOAM GLAZING TAPE (BY OTHERS)
6. WEATHER STRIPPING (EPDM)
7. ALUMINUM BUTT HINGE (OTHER OPTIONS AVAILABLE)
8. RUSTIC UMBER RODOS HANDLE (OTHER OPTIONS AVAILABLE)



Typical Details

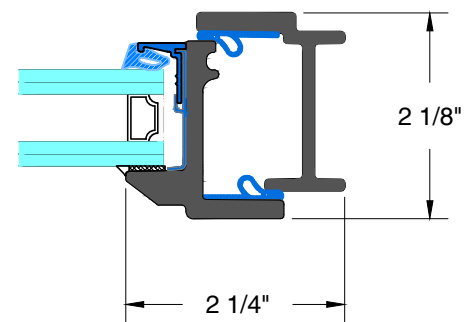
OUTSWING DOORS / FIXED
Scale: Half Scale

INTERIOR



EXTERIOR

INTERIOR



EXTERIOR

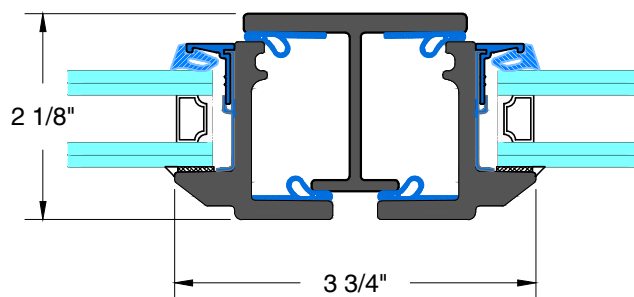
A&B

**TYPICAL
HINGED JAMB**

C

**TYPICAL
LOCKING JAMB**

INTERIOR



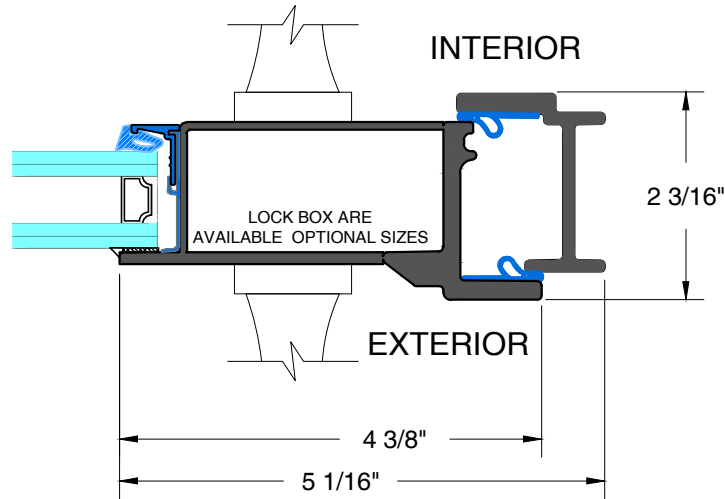
D

**TYPICAL
MEETING RAIL**

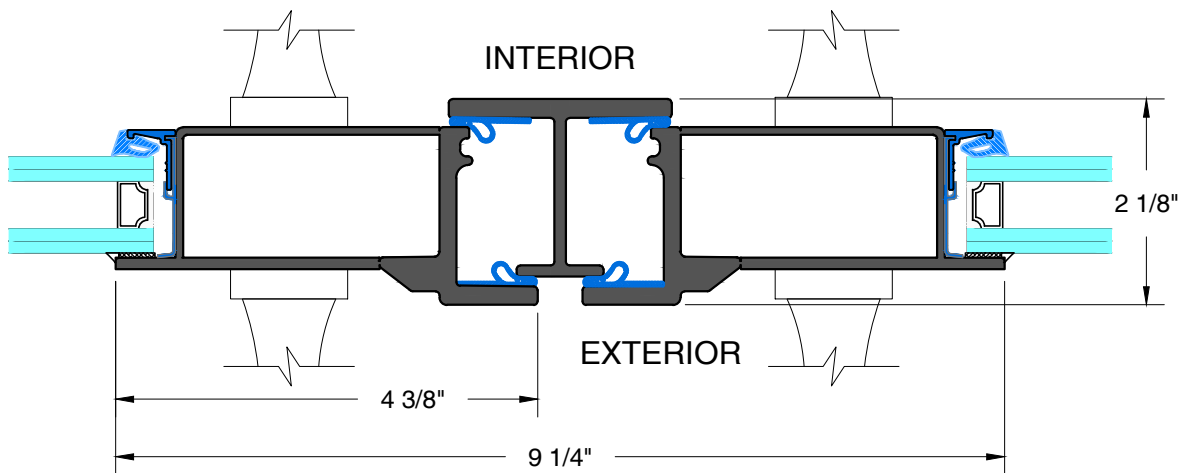


Typical Details

OUTSWING DOORS / FIXED
Scale: Half Scale



E TYPICAL SINGLE LOCKBOX

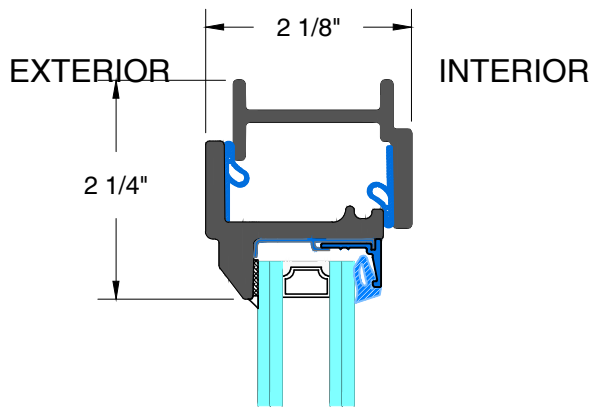


F TYPICAL DOUBLE LOCKBOX

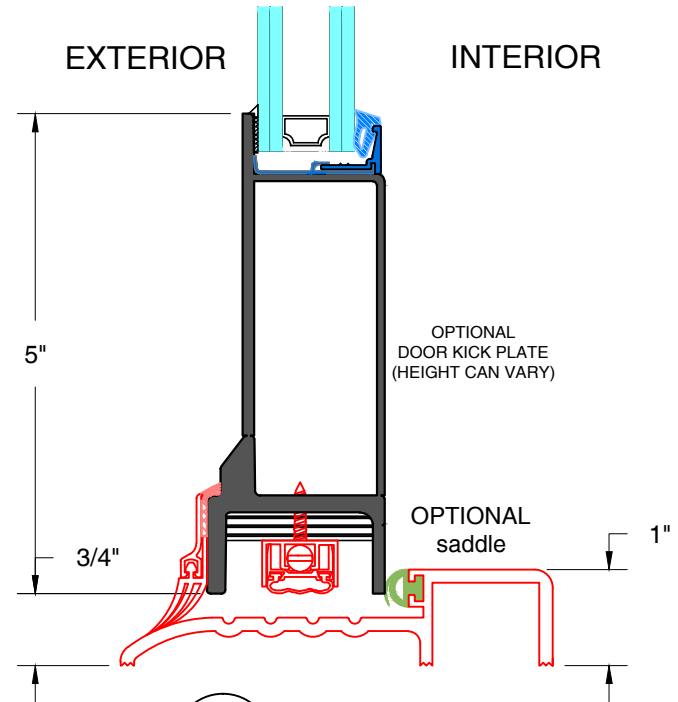


Typical Details

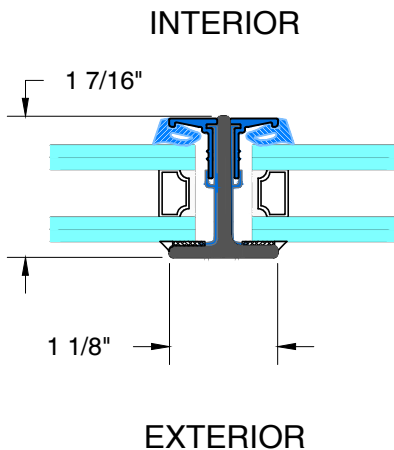
OUTSWING DOORS / FIXED
Scale: Half Scale



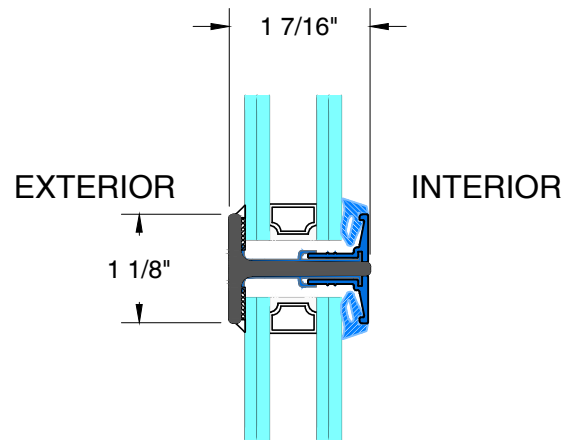
G TYPICAL HEAD



H TYPICAL KICKPLATE



J TYPICAL VERTICAL MUNTIN

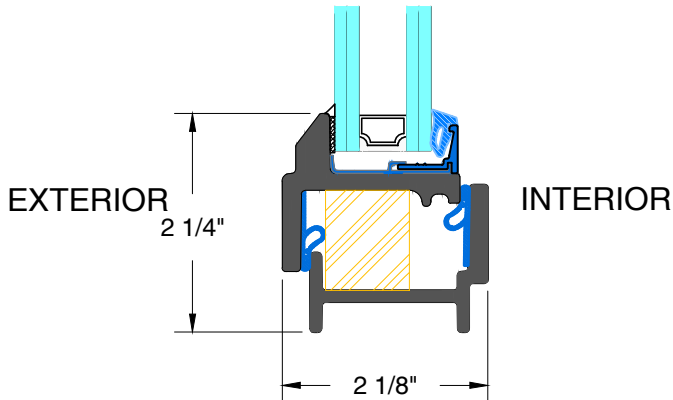


K TYPICAL HORIZONTAL MUNTIN

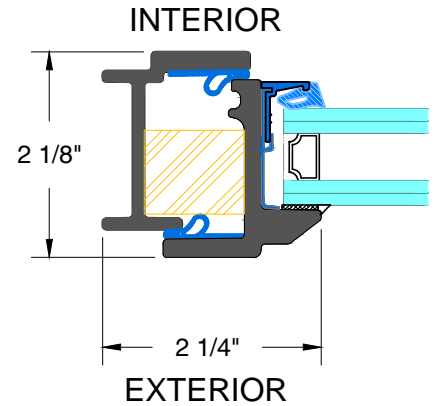


Typical Details

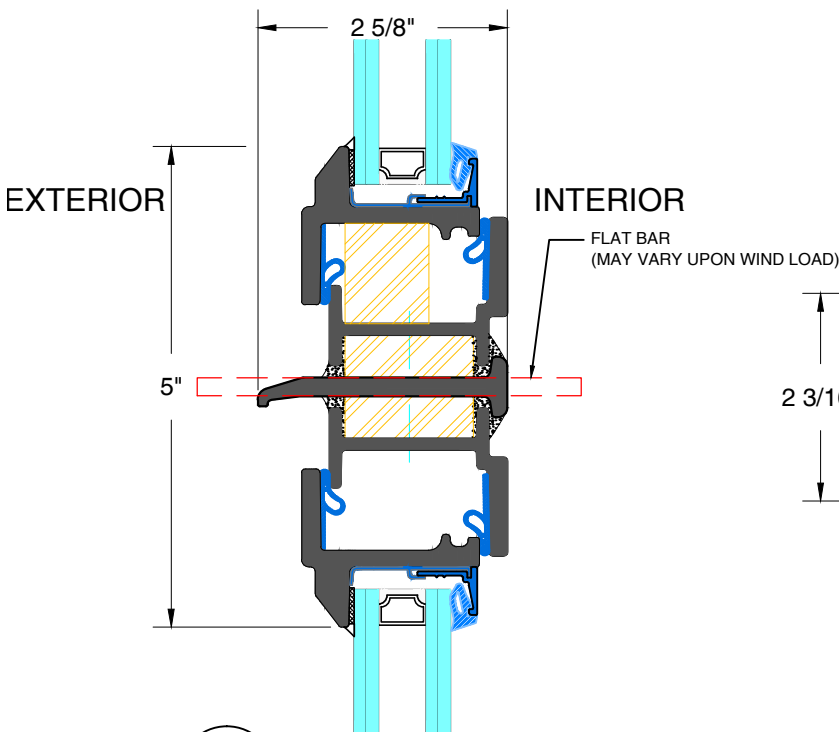
OUTSWING DOORS / FIXED
Scale: Half Scale



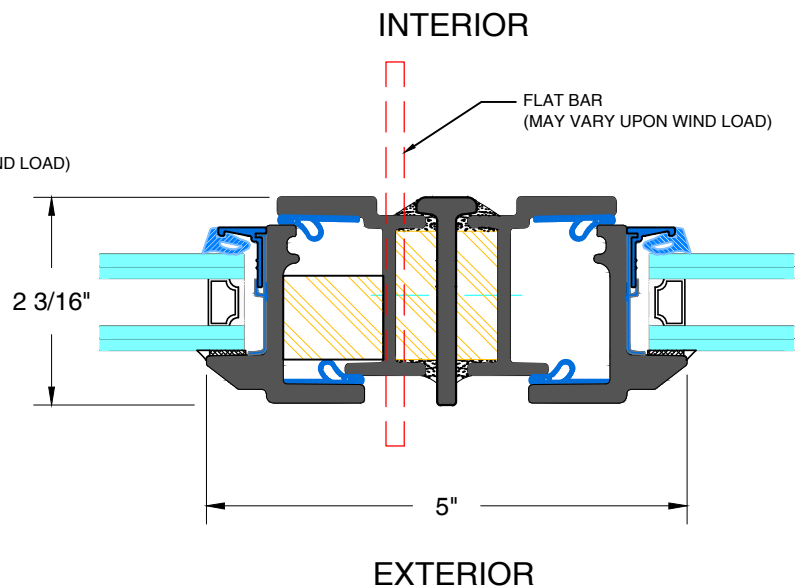
L&M TYPICAL FIXED HEAD & SILL



N&P TYPICAL FIXED JAMB



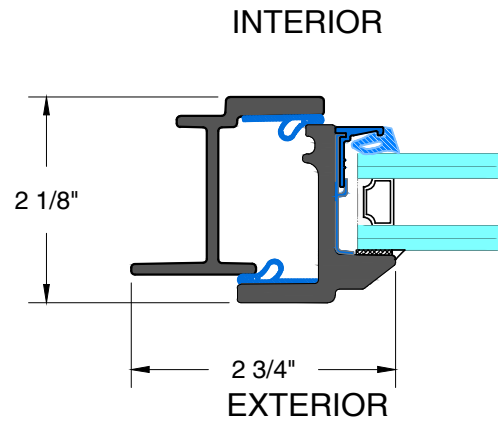
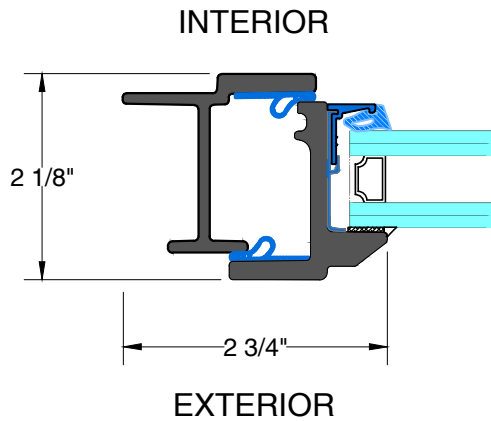
R TYPICAL STACKING MULLION



S TYPICAL JOINING MULLION



OPTIONAL FLANGE FRAME



1 TYPICAL JAMB
INTERIOR FLANGE

2 TYPICAL JAMB
EXTERIOR FLANGE