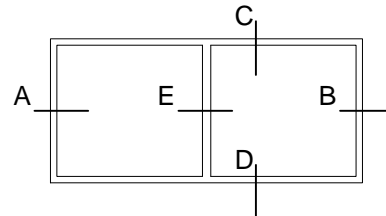
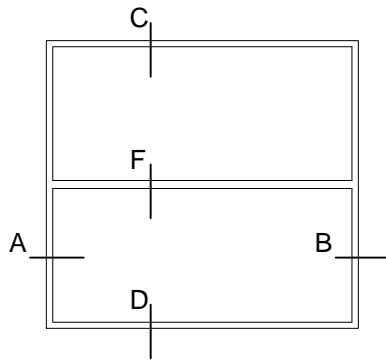


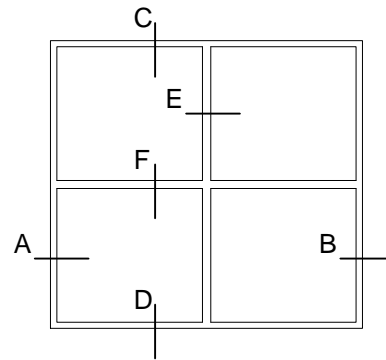
RTS4311-FX



RTS4321-FX



RTS4322-FX



RTS4322-FX



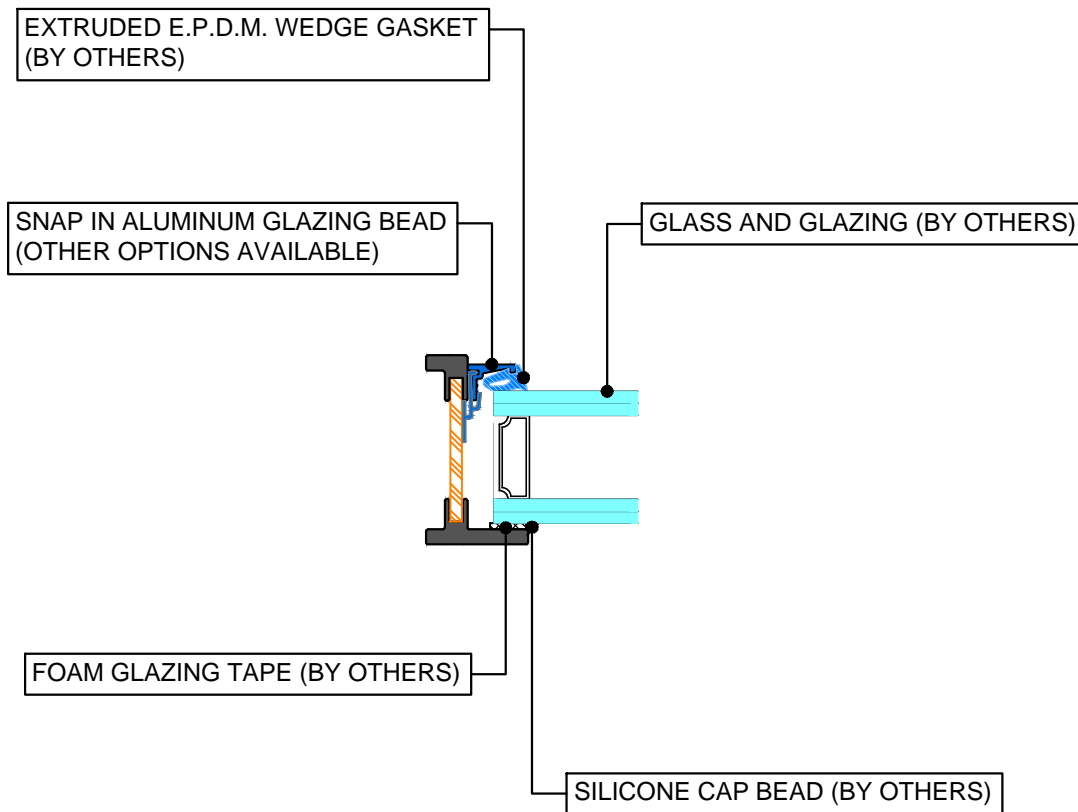
# RELIANT

# RTS430-FX<sub>SERIES</sub>

## KEY TYPICAL

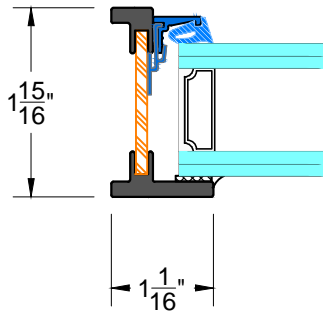
FIXED  
SCALE: 1:2

PAGE 2 OF 6



28 Canal Street, Ellenville, NY 12428  
Phone (845) 647-1900

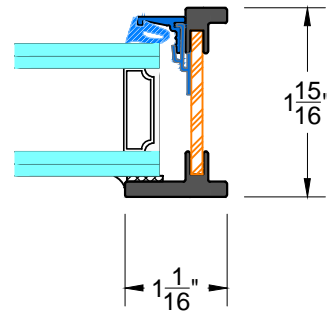
INTERIOR



EXTERIOR

**A** TYPICAL LEFT JAMB

INTERIOR

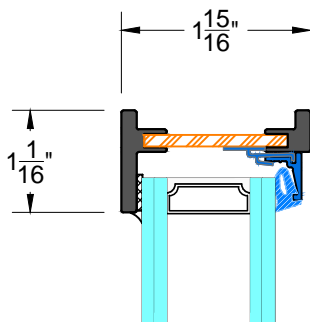


EXTERIOR

**B** TYPICAL RIGHT JAMB

EXTERIOR

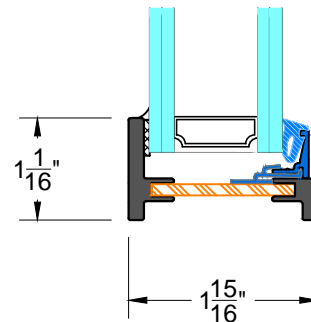
INTERIOR



**C** TYPICAL HEAD

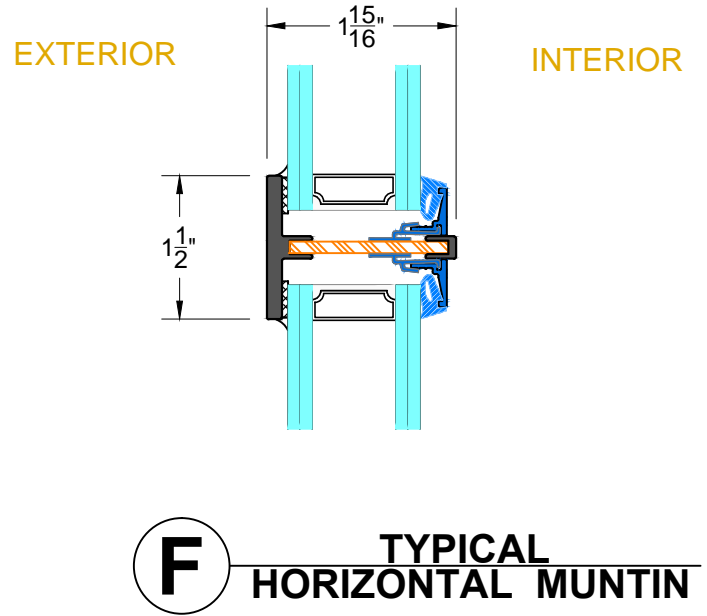
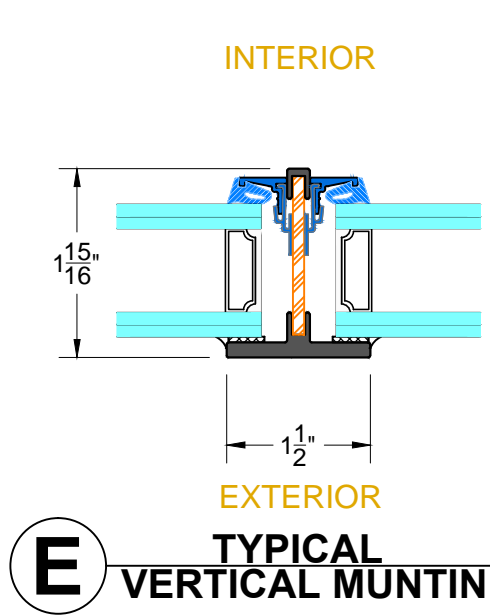
EXTERIOR

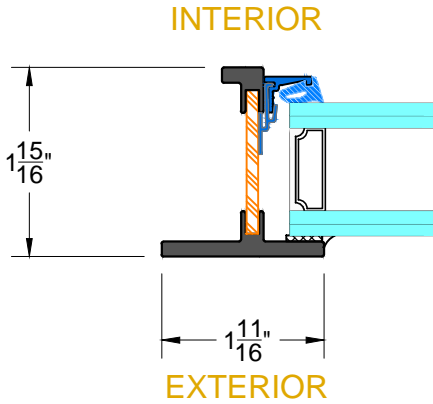
INTERIOR



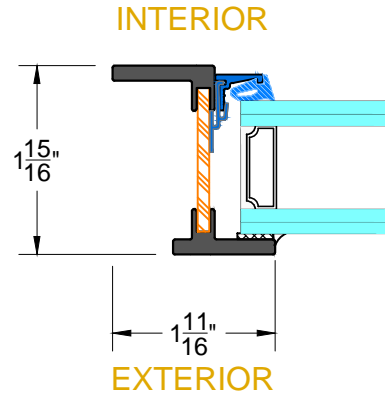
**D** TYPICAL SILL



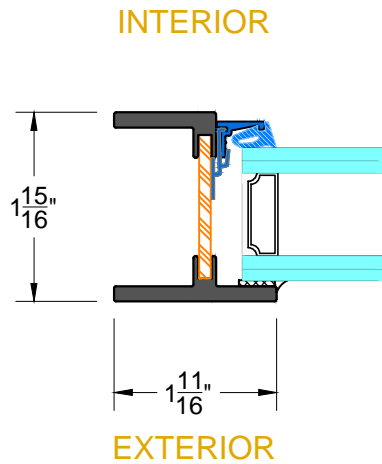




**1** TYPICAL FIXED EXTERIOR FLANGE



**2** TYPICAL FIXED INTERIOR FLANGE



**3** TYPICAL RIGHT JAMB



# RELIANT

# RTS430-FX SERIES

## GLAZING OPTIONS

FIXED  
SCALE: 1:2

PAGE 6 OF 6

