

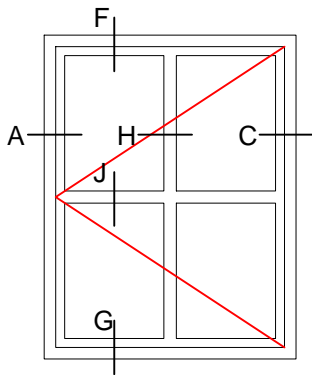
RELIANT

TYPICAL EXTERIOR ELEVATIONS

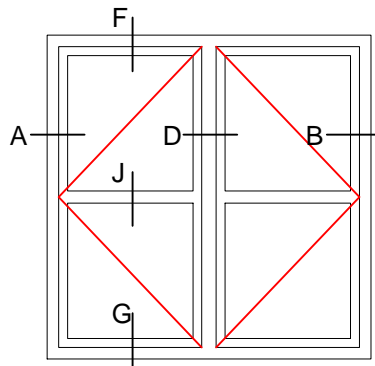
RTS430-IC SERIES

INSWING CASEMENTS/ FIXED
SCALE: NOT TO SCALE

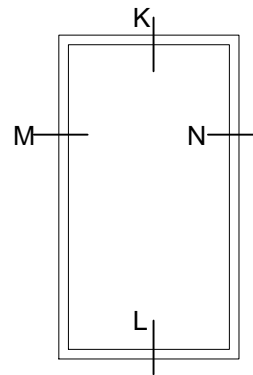
PAGE 1 OF 8



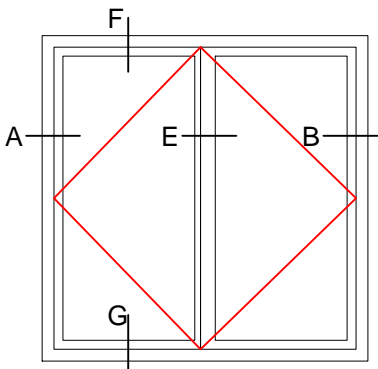
RTS4322-IC



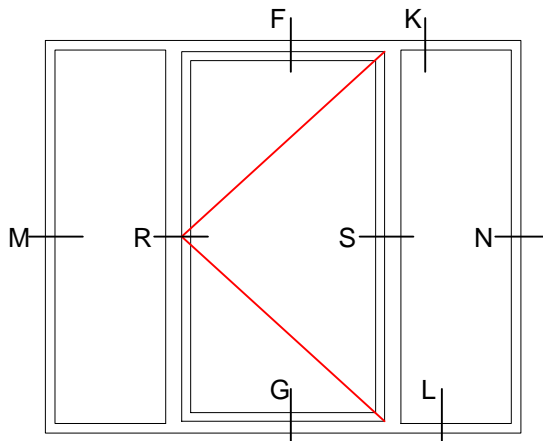
RTS4322-DB-IC



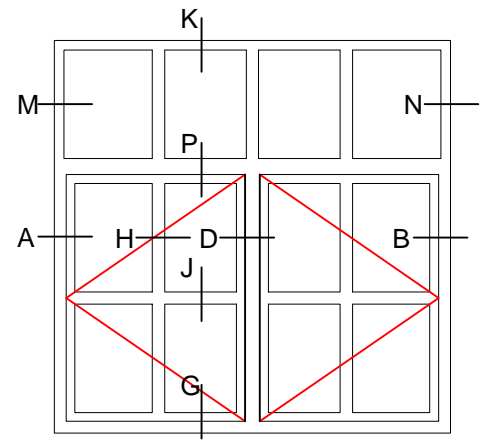
RTS4311-FX



RTS4321-FR-IC



RTS4331-IC-FX



RTS4343-IC-FX

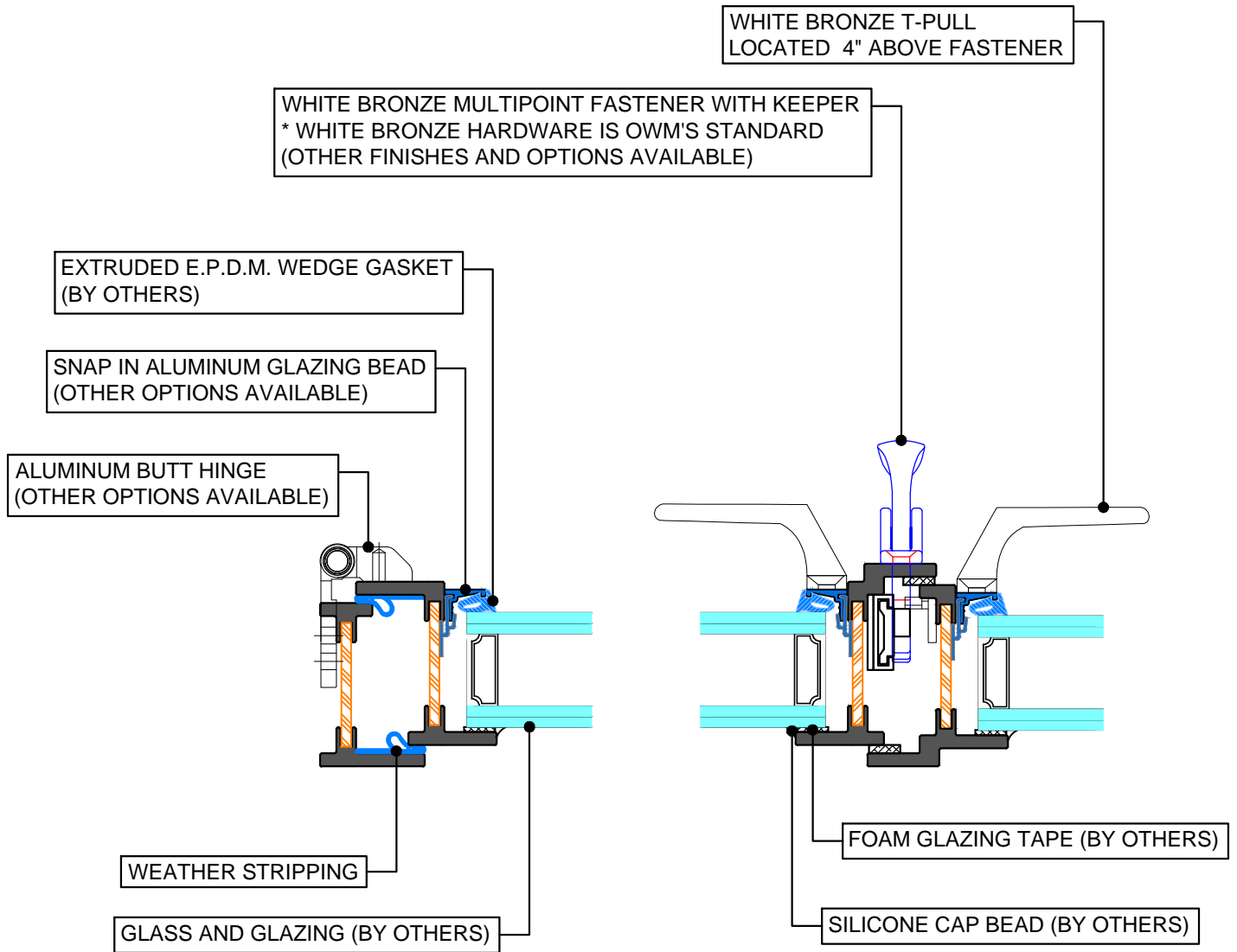


28 Canal Street, Ellenville, NY 12428
Phone (845) 647-1900

KEY TYPICAL

INSWING CASEMENTS/ FIXED
SCALE: 1:2

PAGE 2 OF 8



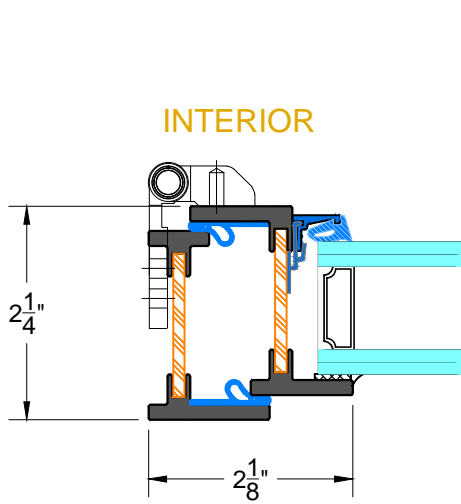
RELIANT

RTS430-IC SERIES

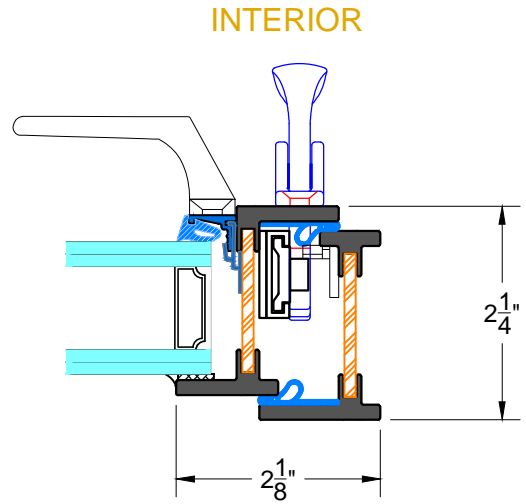
TYPICAL DETAILS

INSWING CASEMENTS/ FIXED
SCALE: 1:2

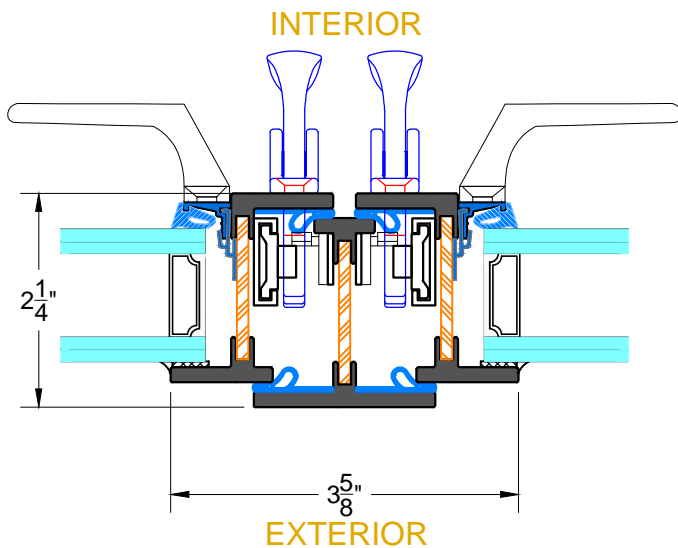
PAGE 3 OF 8



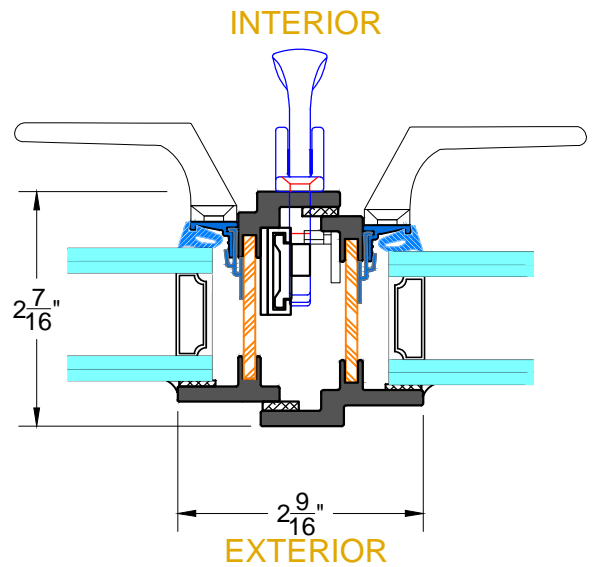
A&B TYPICAL HINGED JAMB



C TYPICAL LOCKING JAMB



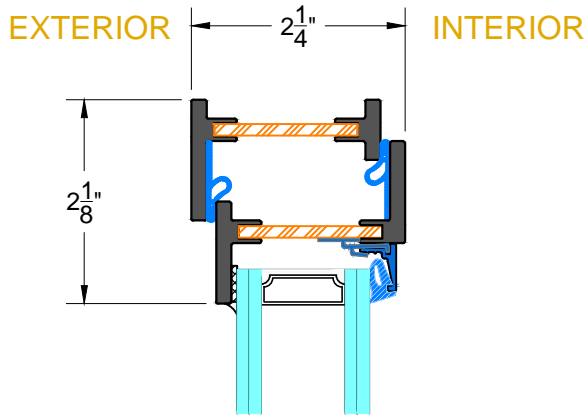
D TYPICAL DOUBLE MEETING RAIL



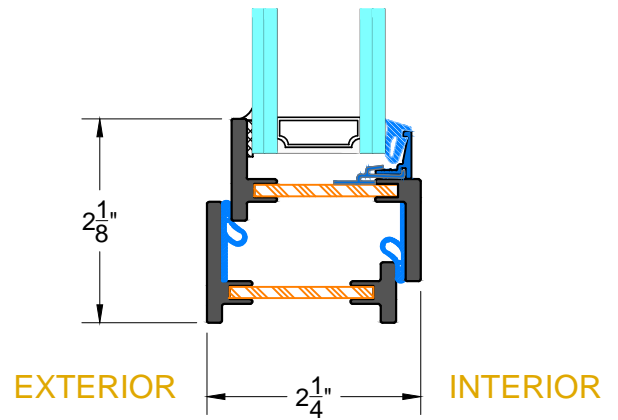
E TYPICAL FRENCH MEETING RAIL



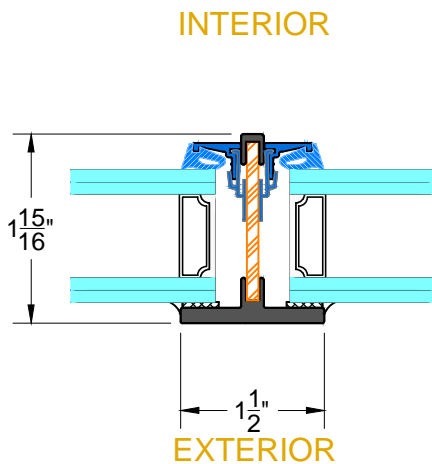
28 Canal Street, Ellenville, NY 12428
Phone (845) 647-1900



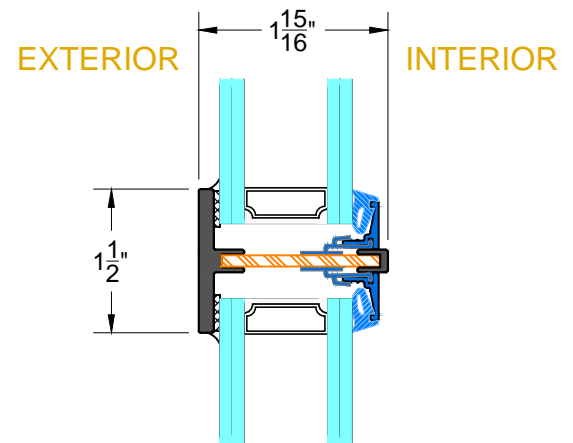
F TYPICAL HEAD



G TYPICAL SILL



H TYPICAL VERTICAL MUNTIN



J TYPICAL HORIZONTAL MUNTIN



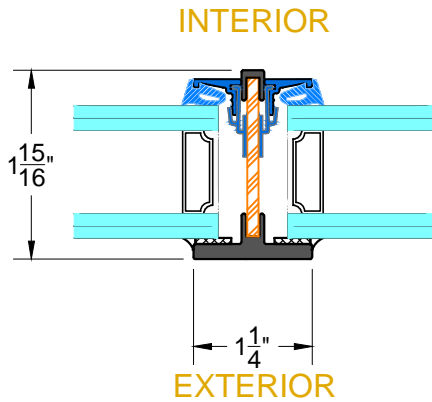
RELIANT

RTS430-IC SERIES

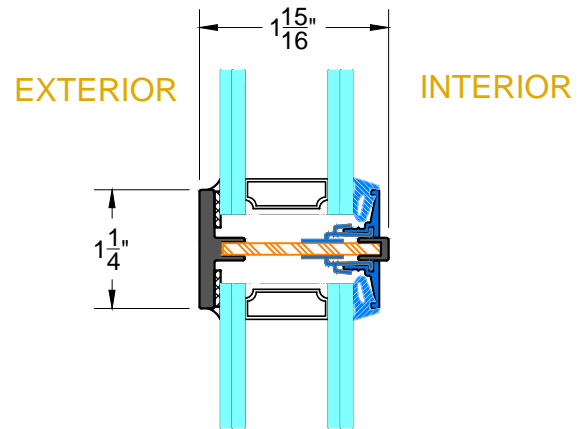
TYPICAL DETAILS

INSWING CASEMENTS/ FIXED
SCALE: 1:2

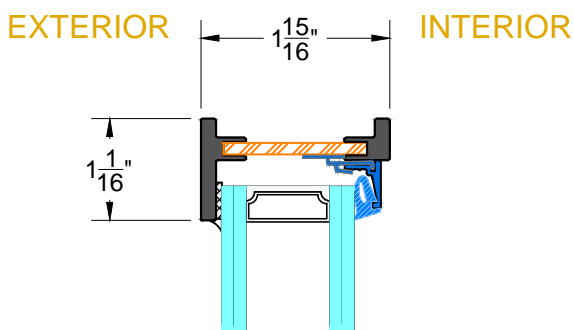
PAGE 5 OF 8



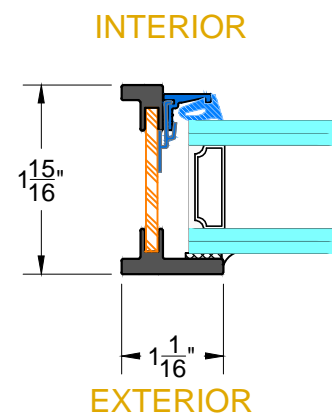
H TYPICAL VERTICAL MUNTIN



J TYPICAL HORIZONTAL MUNTIN



K&L TYPICAL FIXED HEAD & SILL



M&N TYPICAL FIXED JAMB



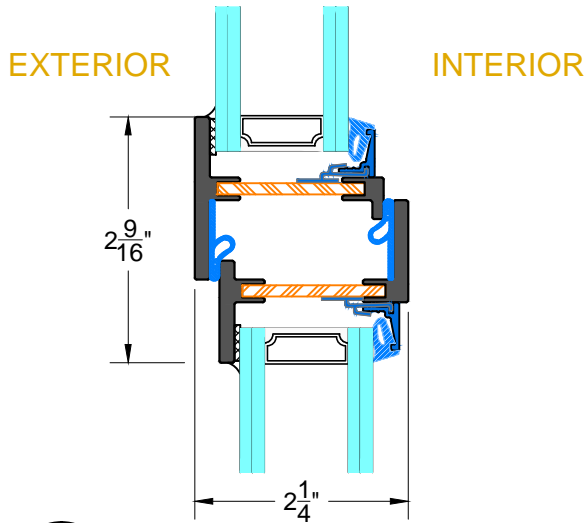
RELIANT

RTS430-IC SERIES

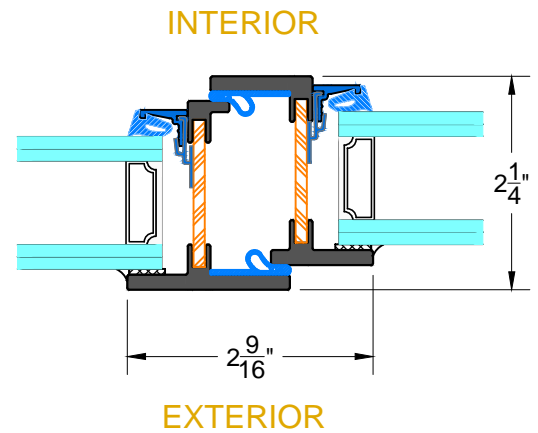
TYPICAL DETAILS

INSWING CASEMENTS/ FIXED
SCALE: 1:2

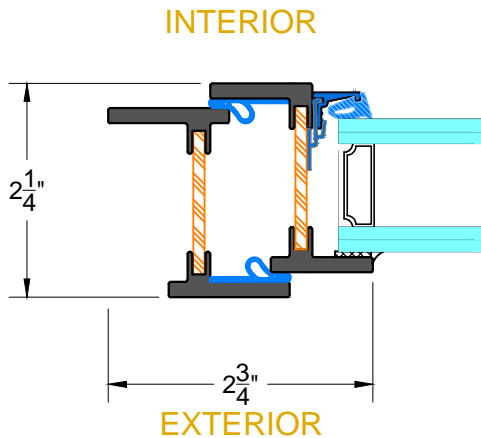
PAGE 6 OF 8



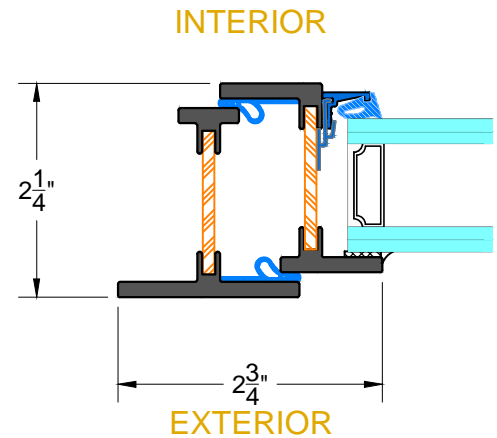
P TYPICAL HEAD
W/ TRANSOM



R&S TYPICAL JAMB
W/ SIDELITE



1 TYPICAL
INTERIOR FLANGE



2 TYPICAL
EXTERIOR FLANGE



28 Canal Street, Ellenville, NY 12428
Phone (845) 647-1900

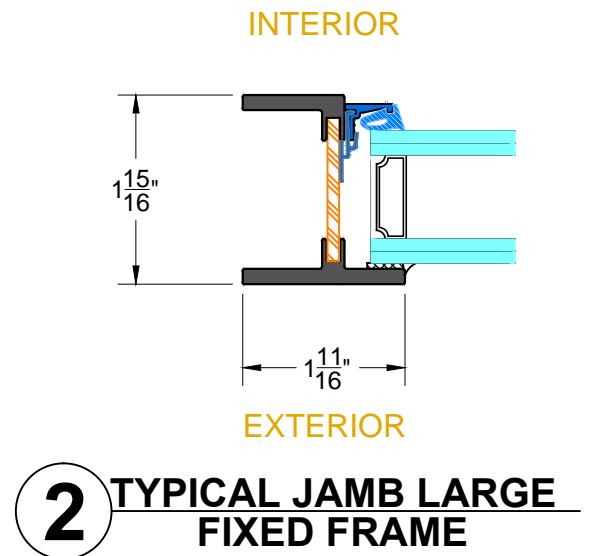
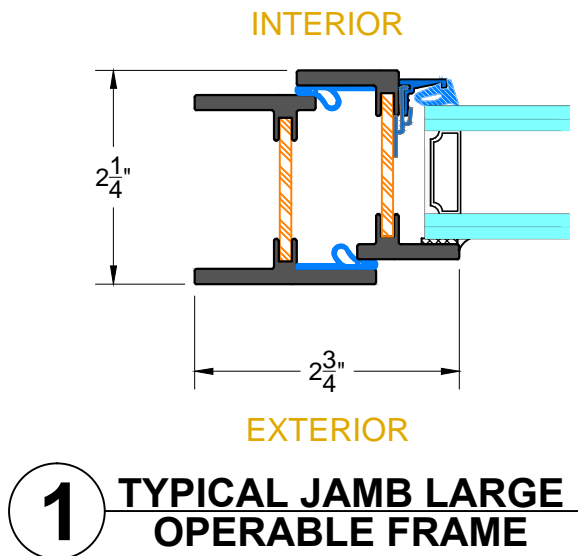
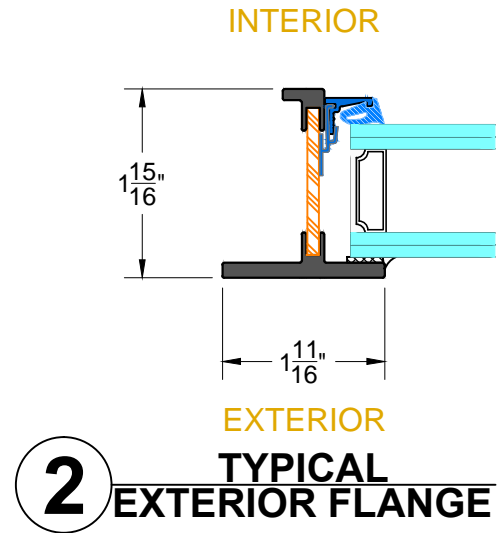
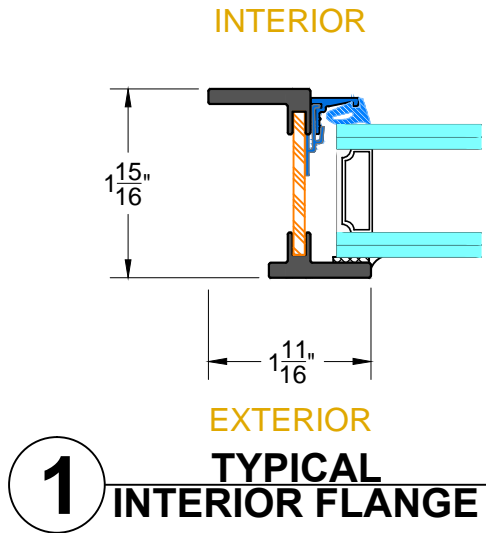
RELIANT

RTS430-IC SERIES

FRAME OPTIONS

INSWING CASEMENTS/ FIXED
SCALE: 1:2

PAGE 7 OF 8



28 Canal Street, Ellenville, NY 12428
Phone (845) 647-1900

RELIANT

RTS430-IC SERIES

GLAZING OPTIONS

INSWING CASEMENTS/ FIXED
SCALE: 1:2

PAGE 8 OF 8

