

RELIANT

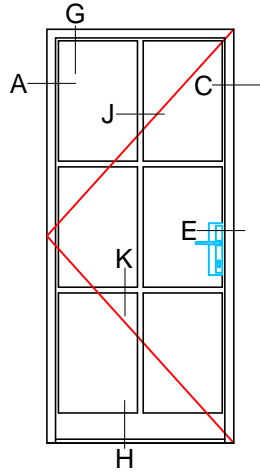
TYPICAL EXTERIOR ELEVATIONS

RTS430-ID

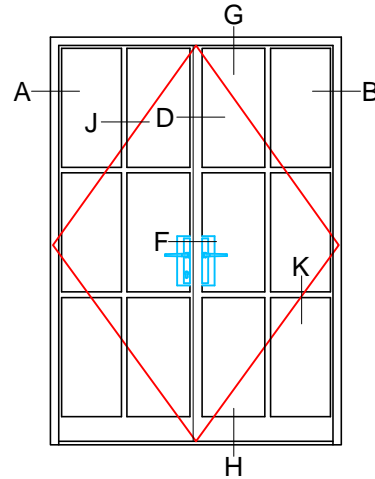
SERIES

INSWING DOORS/ FIXED
SCALE: NOT TO SCALE

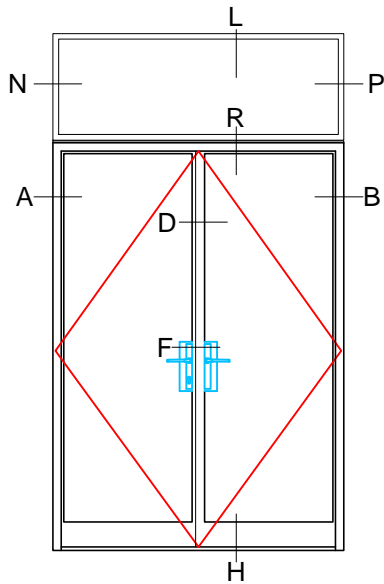
PAGE 1 OF 8



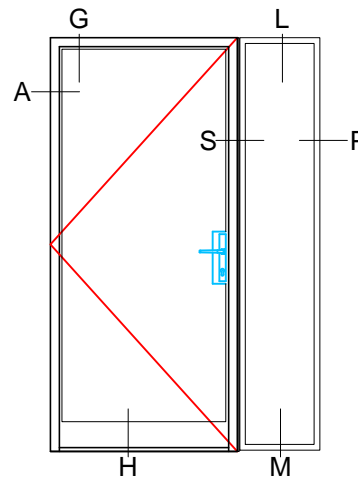
RTS4323-ID



RTS4343-FR-ID



RTS4322-FR-ID-FX



RTS4321-ID-FX



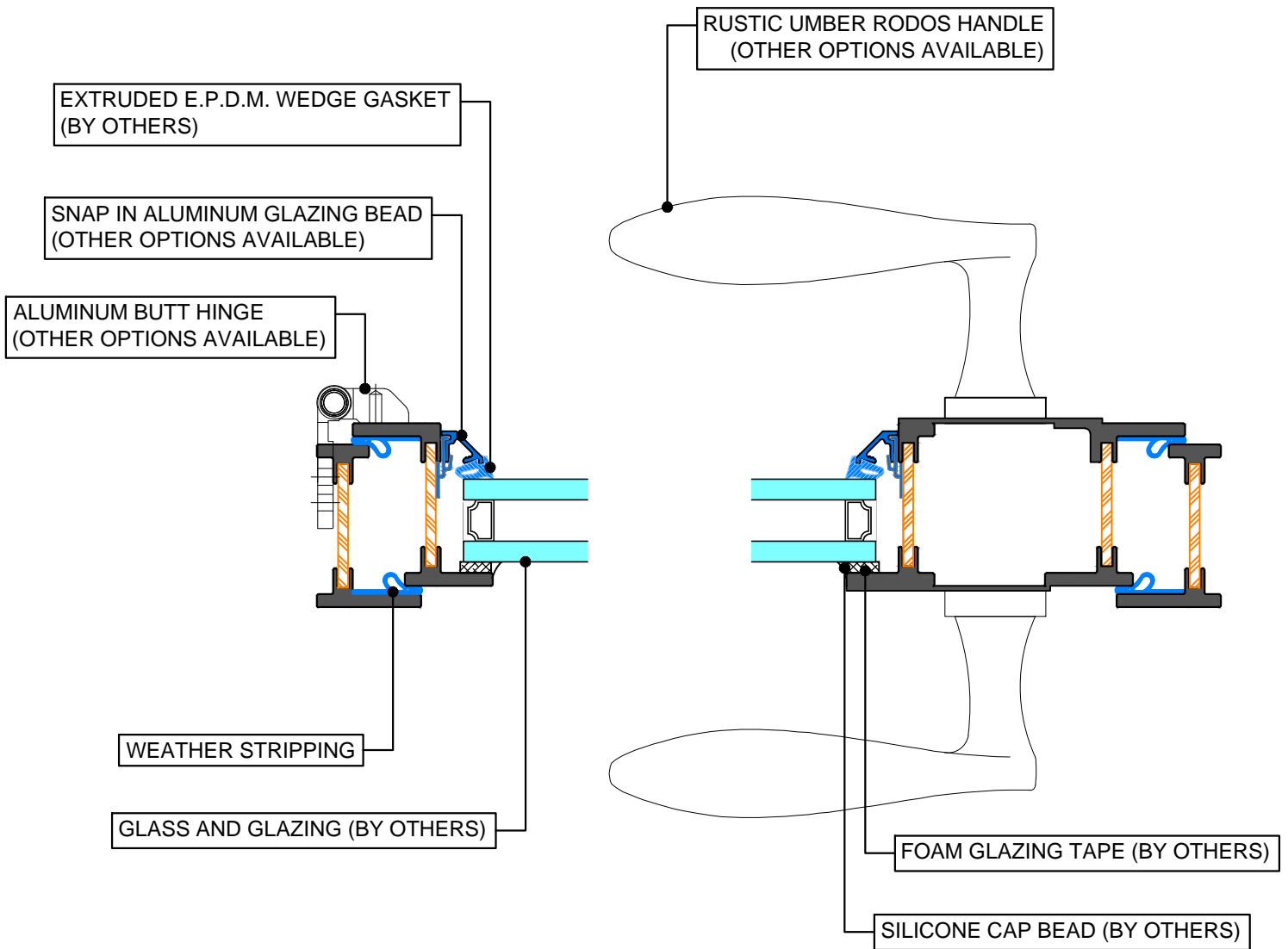
28 Canal Street, Ellenville, NY 12428
Phone (845) 647-1900

KEY TYPICAL

INSWING DOORS/ FIXED

SCALE: 1:2

PAGE 2 OF 8



28 Canal Street, Ellenville, NY 12428

Phone (845) 647-1900

RELIANT

RTS430-ID

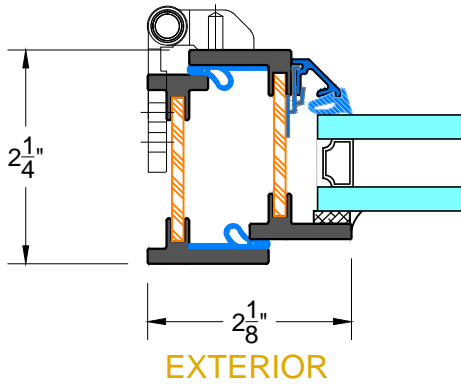
SERIES

TYPICAL DETAILS

INSWING DOORS/ FIXED
SCALE: 1:2

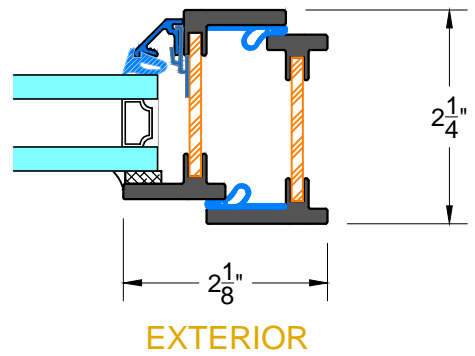
PAGE 3 OF 8

INTERIOR



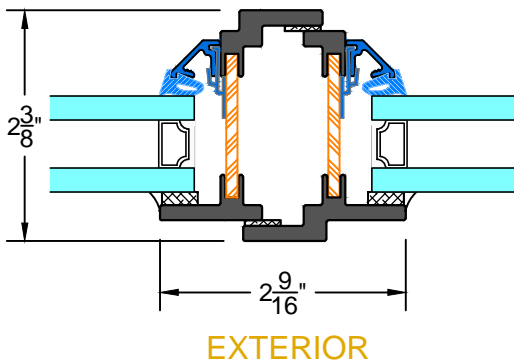
A&B TYPICAL HINGED JAMB

INTERIOR



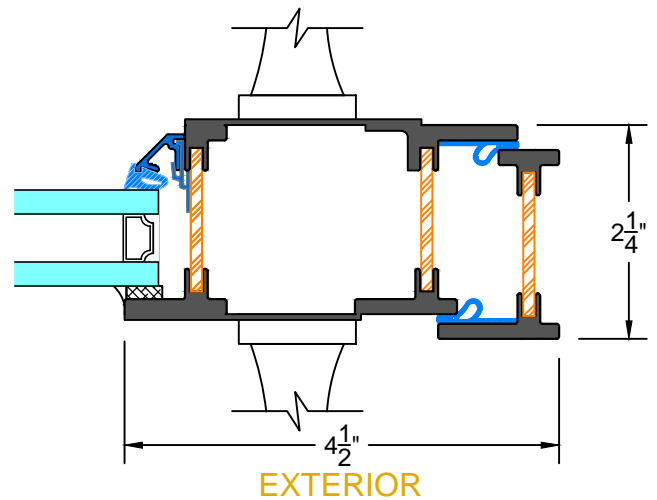
C TYPICAL LOCKING JAMB

INTERIOR



D TYPICAL FRENCH MEETING RAIL

INTERIOR



E TYPICAL SINGLE LOCKBOX



28 Canal Street, Ellenville, NY 12428
Phone (845) 647-1900

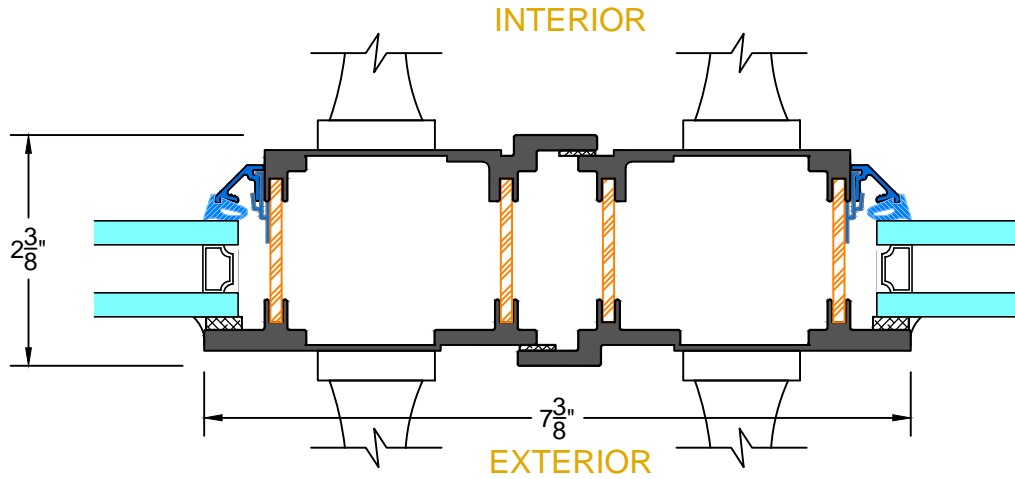
RELIANT

TYPICAL DETAILS

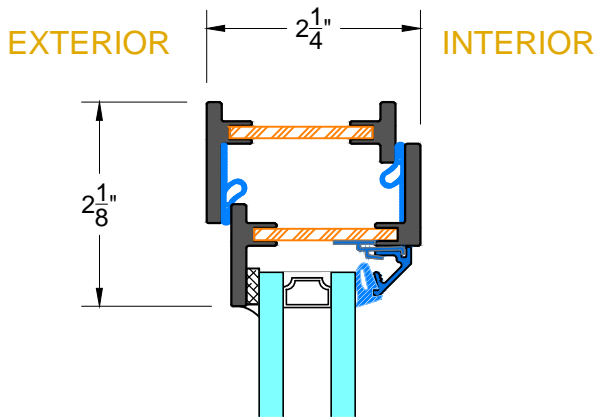
RTS430-ID SERIES

INSWING DOORS/ FIXED
SCALE: 1:2

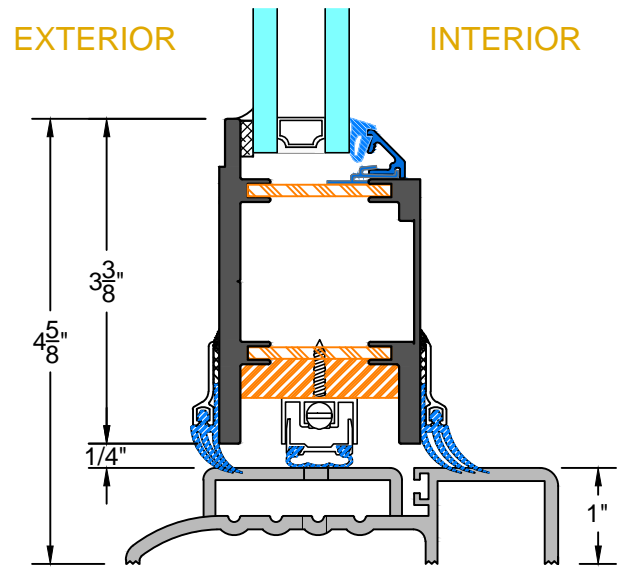
PAGE 4 OF 8



F TYPICAL FRENCH LOCKBOX

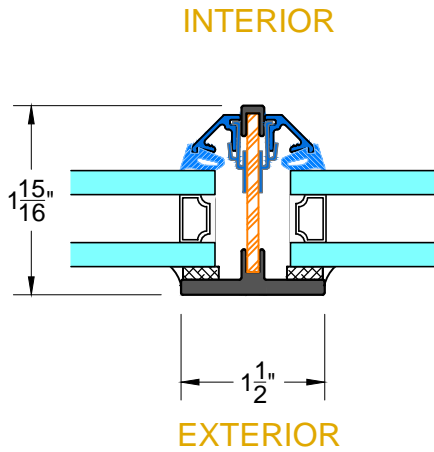


G TYPICAL HEAD

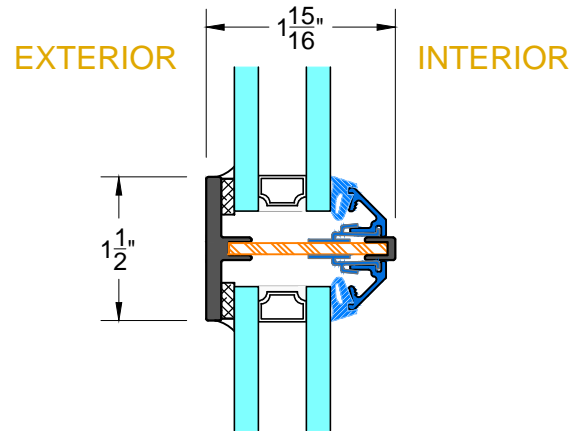


H TYPICAL KICKPLATE

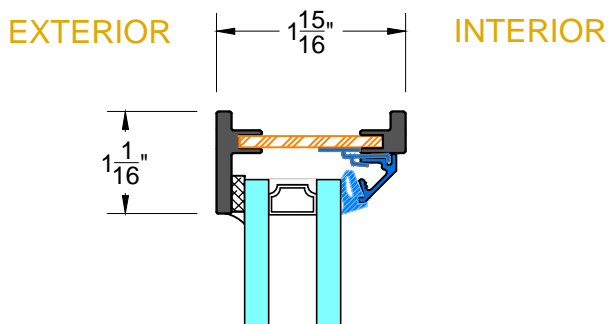




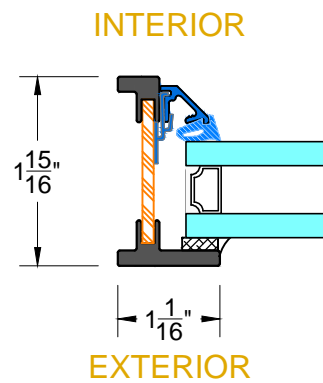
J TYPICAL VERTICAL MUNTIN



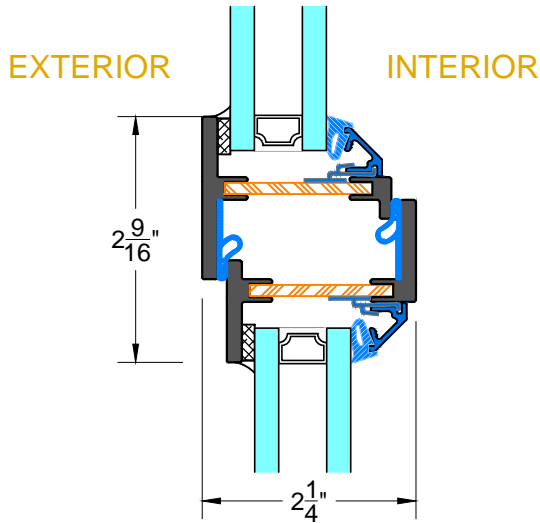
K TYPICAL HORIZONTAL MUNTIN



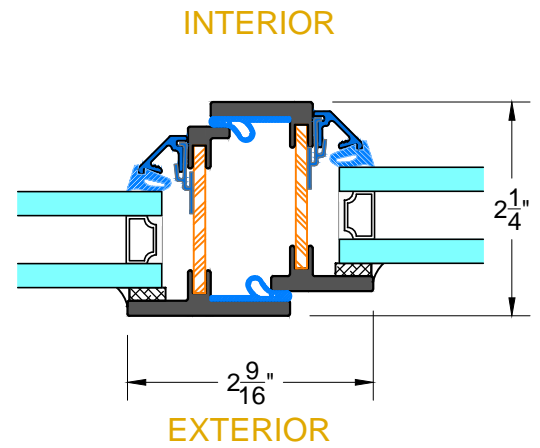
L&M TYPICAL FIXED HEAD & SILL



N&P TYPICAL FIXED JAMB

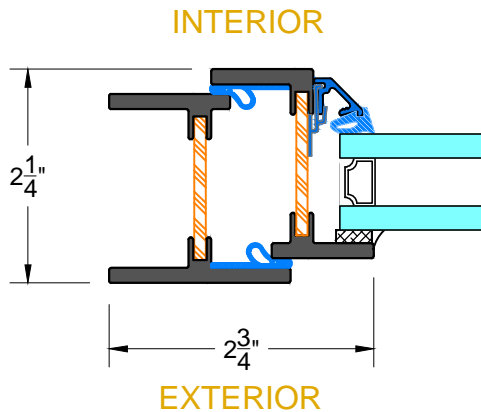


R TYPICAL HEAD
W/ TRANSOM

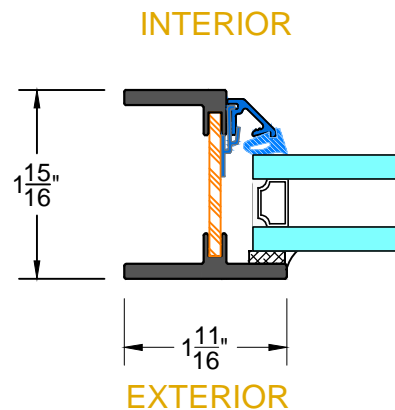


S TYPICAL JAMB
W/ SIDELITE

OPTIONAL LARGE FRAME



1 TYPICAL JAMB
EXTENDED FLANGE



2 TYPICAL FIXED JAMB
EXTENDED FLANGE



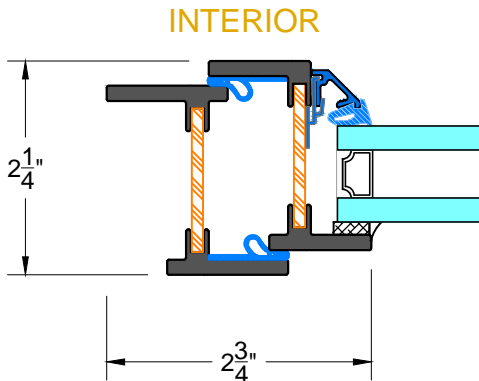
RELIANT

FRAME OPTIONS

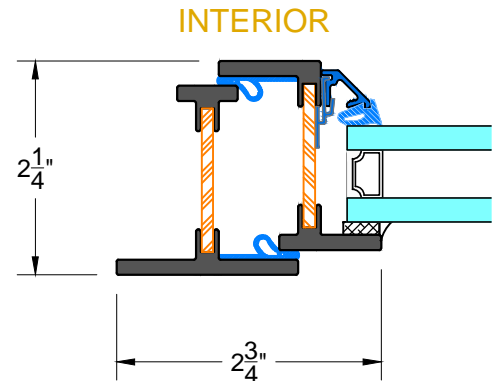
RTS430-ID SERIES

INSWING DOORS/ FIXED
SCALE: 1:2

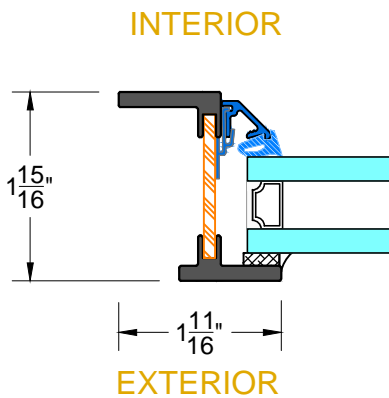
PAGE 7 OF 8



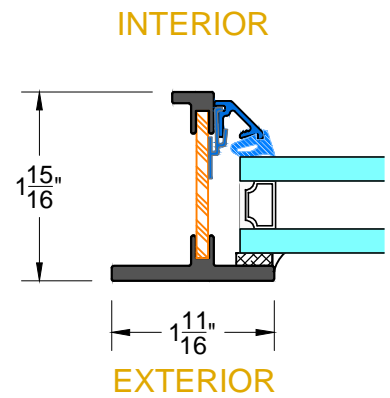
1 TYPICAL JAMB
INTERIOR FLANGE



2 TYPICAL JAMB
EXTERIOR FLANGE



3 TYPICAL FIXED JAMB
INTERIOR FLANGE



4 TYPICAL FIXED JAMB
EXTERIOR FLANGE



RELIANT

GLAZING OPTIONS

RTS430-ID SERIES

INSWING DOORS/ FIXED
SCALE: 1:2

PAGE 8 OF 8

