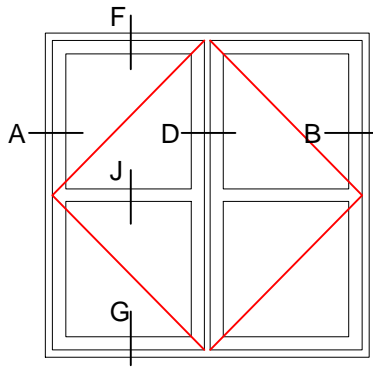
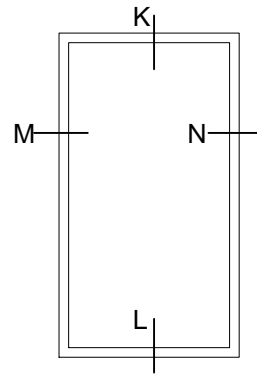


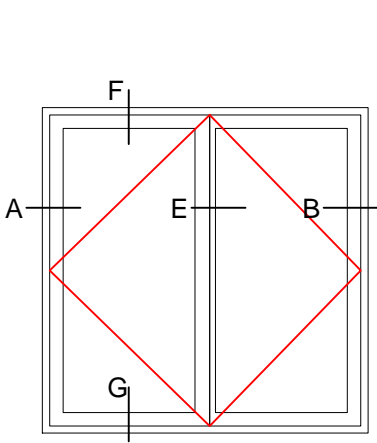
RTS4322-OC



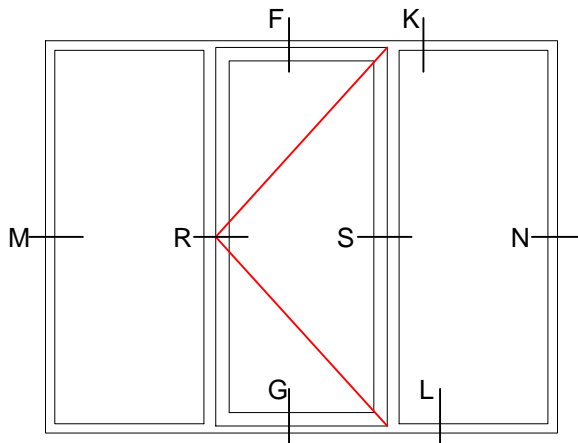
RTS4322-DB-OC



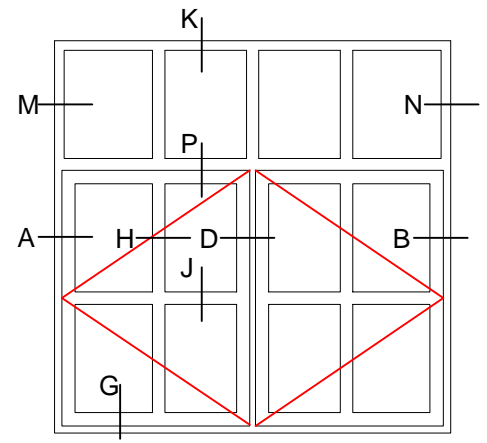
RTS4311-FX



RTS4321-FR-OC



RTS4331-OC-FX



RTS4343-OC-FX



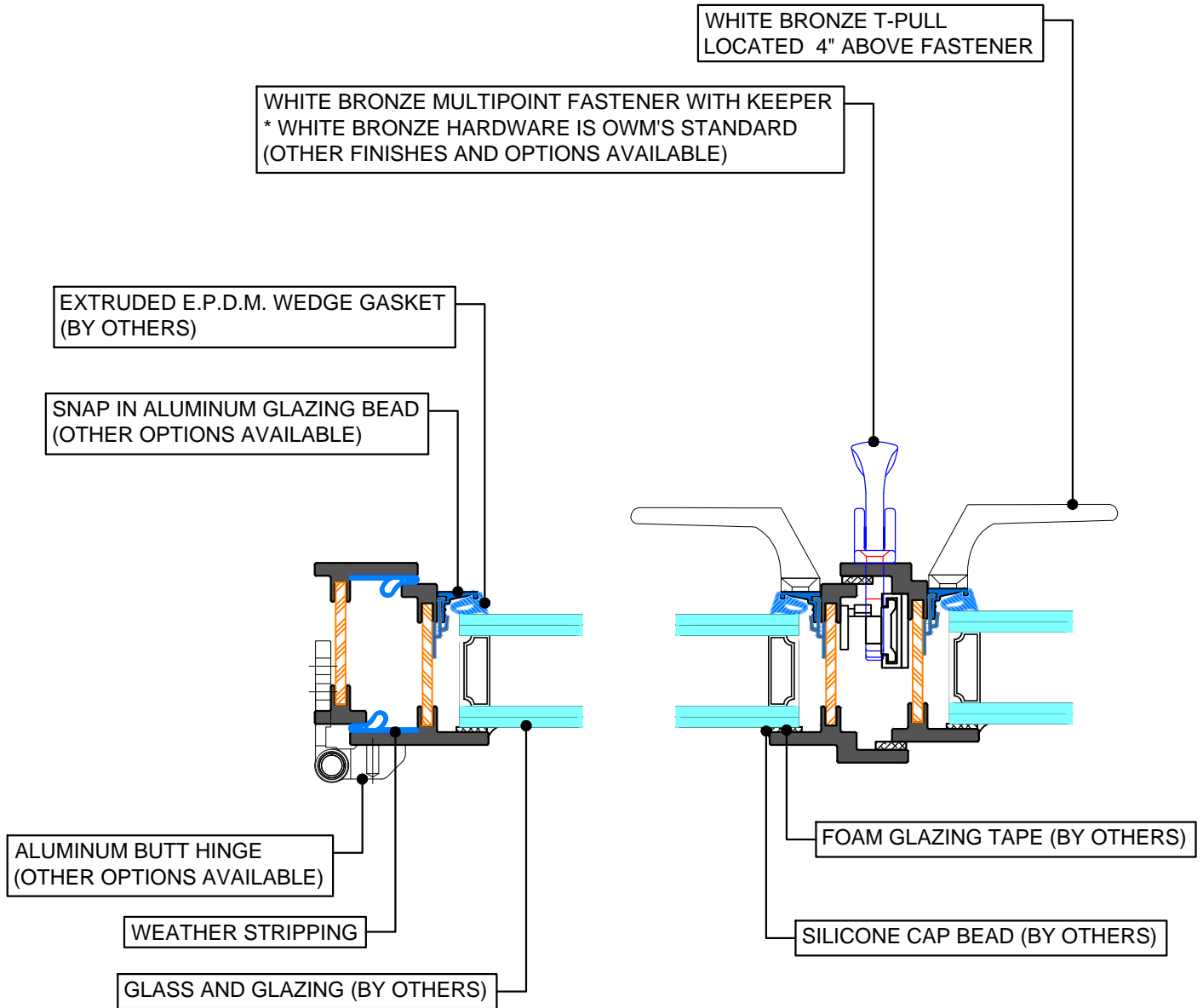
RELIANT

RTS430-OC SERIES

KEY TYPICAL

OUTSWING CASEMENTS/ FIXED
SCALE: 1:2

PAGE 2 OF 8



28 Canal Street, Ellenville, NY 12428
Phone (845) 647-1900

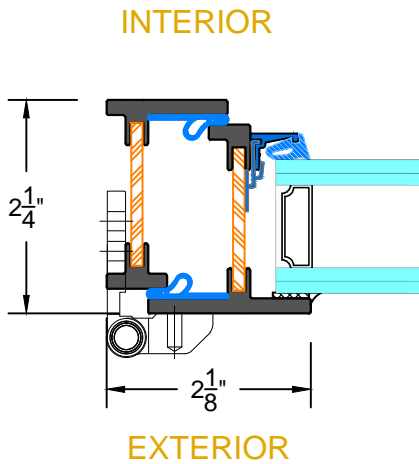
RELIANT

TYPICAL DETAILS

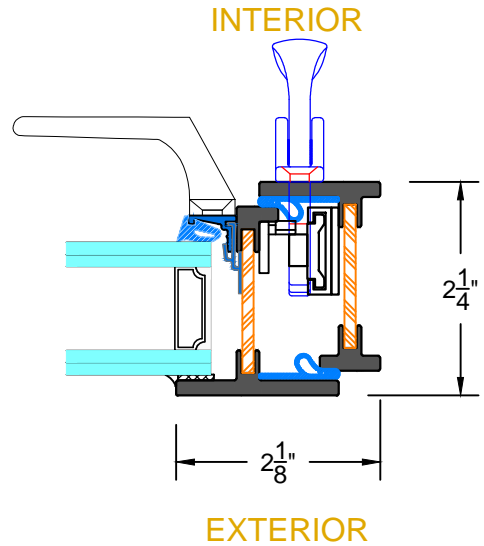
RTS430-OC SERIES

OUTSWING CASEMENTS/ FIXED
SCALE: 1:2

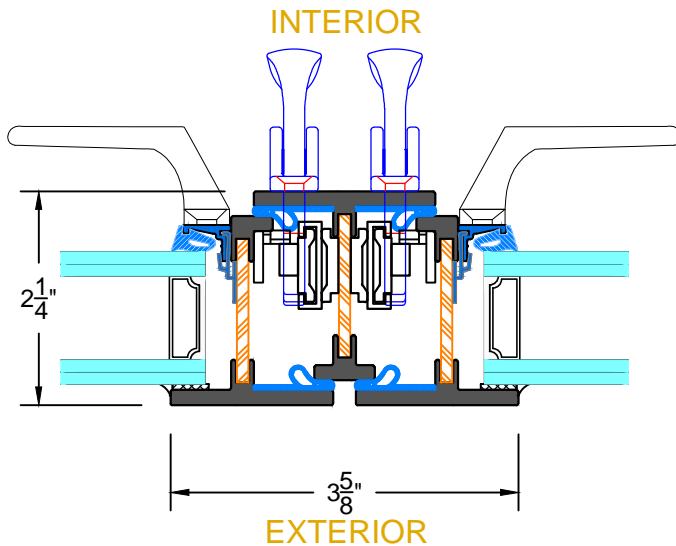
PAGE 3 OF 8



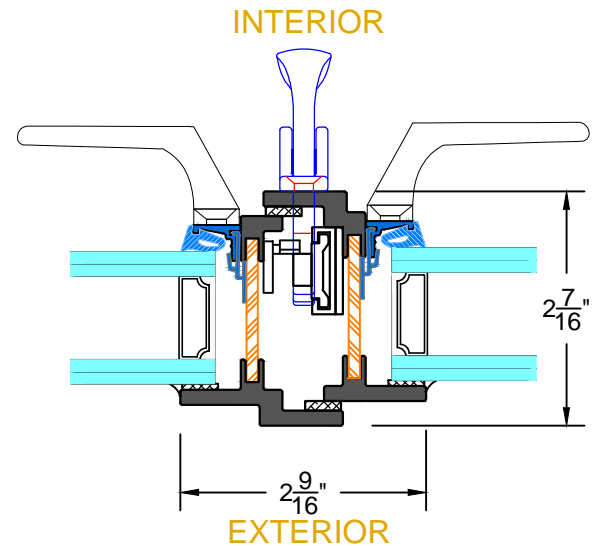
A&B TYPICAL HINGED JAMB



C TYPICAL LOCKING JAMB



D TYPICAL DOUBLE MEETING RAIL



E TYPICAL FRENCH MEETING RAIL



28 Canal Street, Ellenville, NY 12428
Phone (845) 647-1900

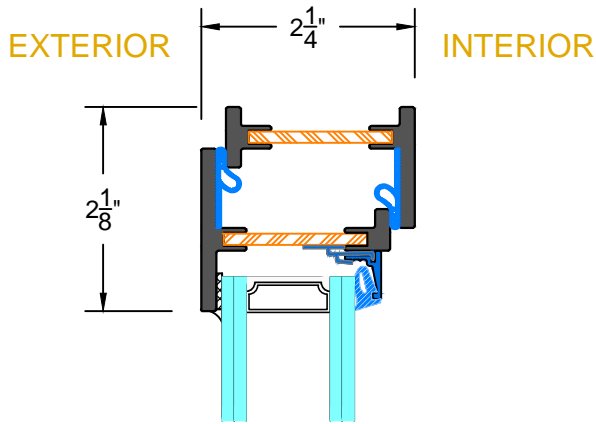
RELIANT

RTS430-OC SERIES

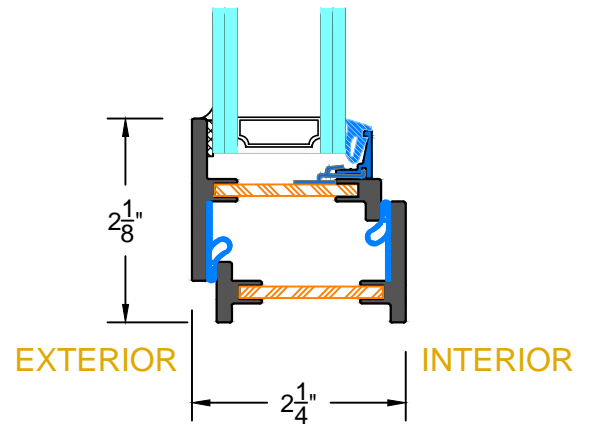
TYPICAL DETAILS

OUTSWING CASEMENTS/ FIXED
SCALE: 1:2

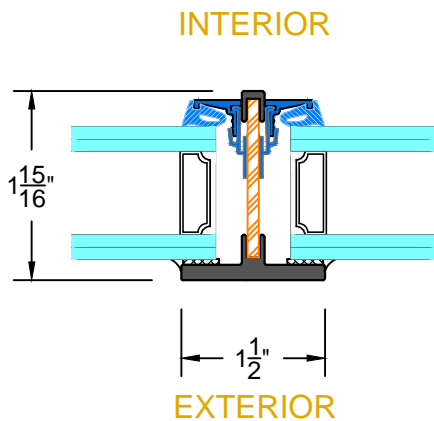
PAGE 4 OF 8



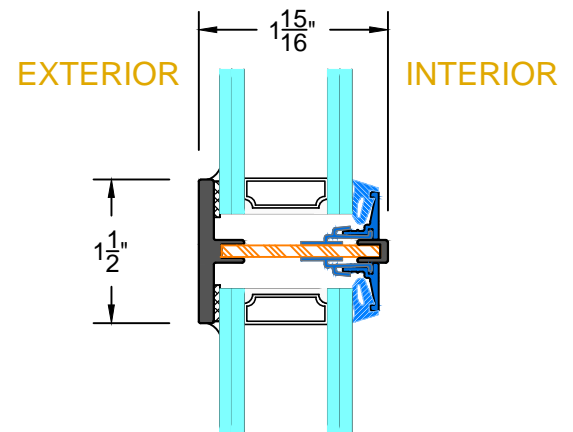
F TYPICAL HEAD



G TYPICAL SILL



H TYPICAL VERTICAL MUNTIN



J TYPICAL HORIZONTAL MUNTIN



28 Canal Street, Ellenville, NY 12428
Phone (845) 647-1900

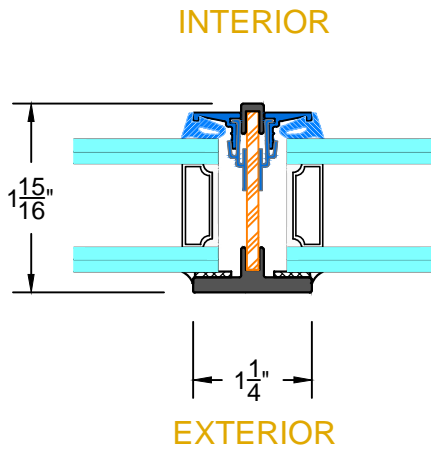
RELIANT

RTS430-OC SERIES

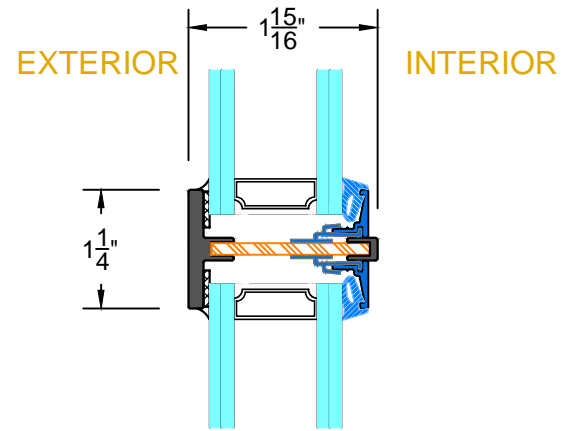
TYPICAL DETAILS

OUTSWING CASEMENTS/ FIXED
SCALE: 1:2

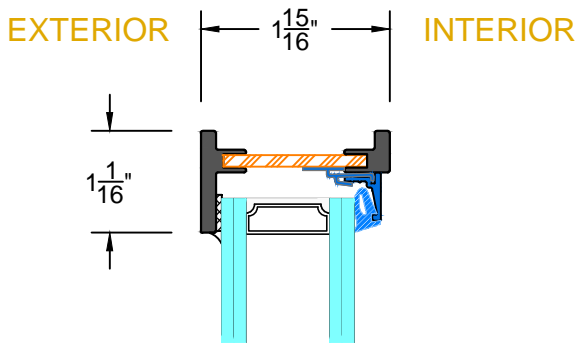
PAGE 5 OF 8



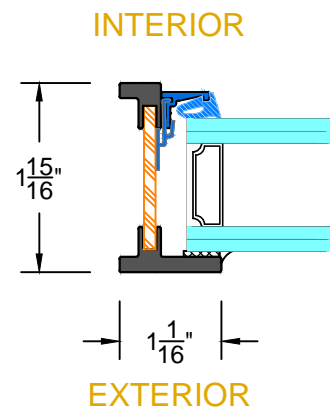
H TYPICAL VERTICAL MUNTIN



J TYPICAL HORIZONTAL MUNTIN



K&L TYPICAL FIXED HEAD & SILL



M&N TYPICAL FIXED JAMB



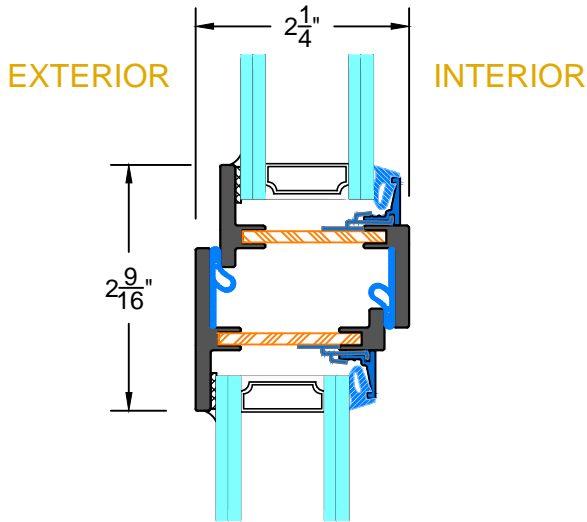
RELIANT

RTS430-OC SERIES

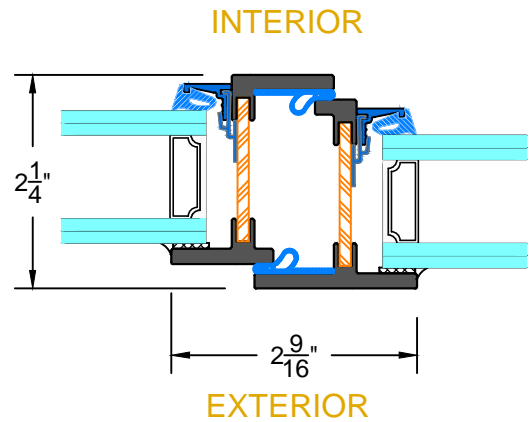
TYPICAL DETAILS

OUTSWING CASEMENTS/ FIXED
SCALE: 1:2

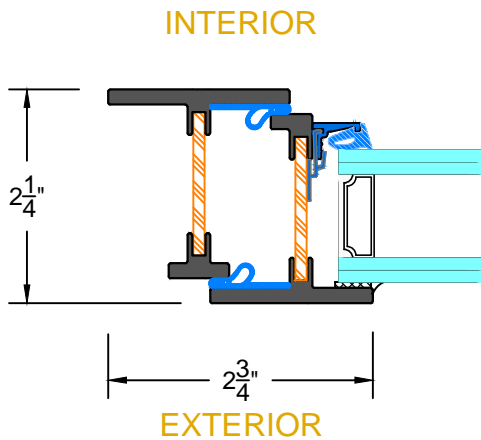
PAGE 6 OF 8



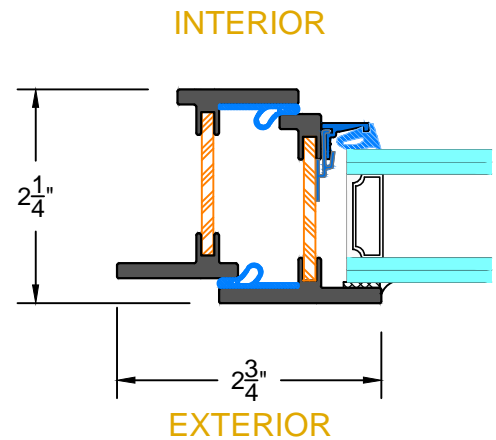
P TYPICAL HEAD
W/ TRANSOM



R&S TYPICAL JAMB
W/ SIDELITE



1 TYPICAL
INTERIOR FLANGE



2 TYPICAL
EXTERIOR FLANGE



28 Canal Street, Ellenville, NY 12428
Phone (845) 647-1900

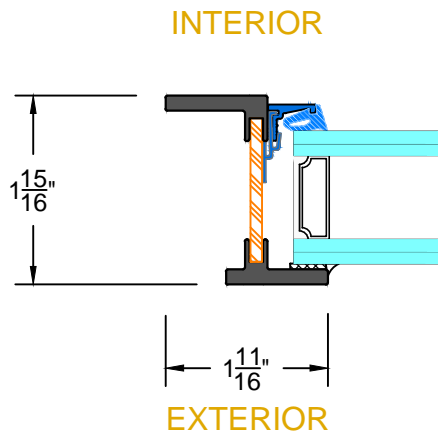
RELIANT

RTS430-OC SERIES

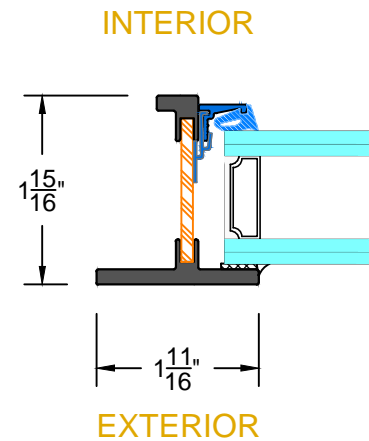
FRAME OPTIONS

OUTSWING CASEMENTS/ FIXED
SCALE: 1:2

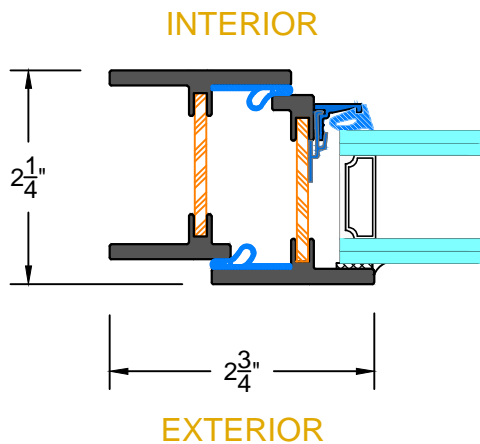
PAGE 7 OF 8



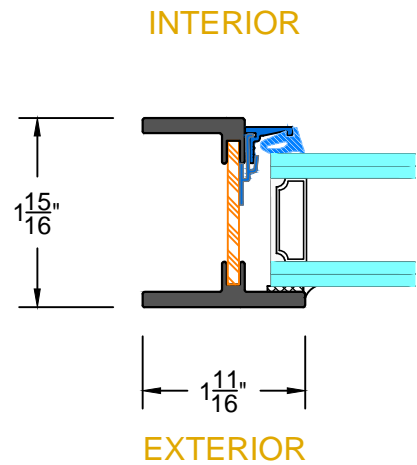
1 TYPICAL INTERIOR FLANGE



2 TYPICAL EXTERIOR FLANGE



1 TYPICAL JAMB LARGE OPERABLE FRAME



2 TYPICAL JAMB LARGE FIXED FRAME



28 Canal Street, Ellenville, NY 12428
Phone (845) 647-1900

RELIANT

GLAZING OPTIONS

RTS430-OC SERIES

OUTSWING CASEMENTS/ FIXED
SCALE: 1:2

PAGE 8 OF 8

