

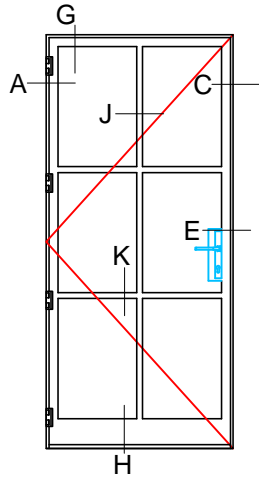
RELIANT

TYPICAL EXTERIOR ELEVATIONS

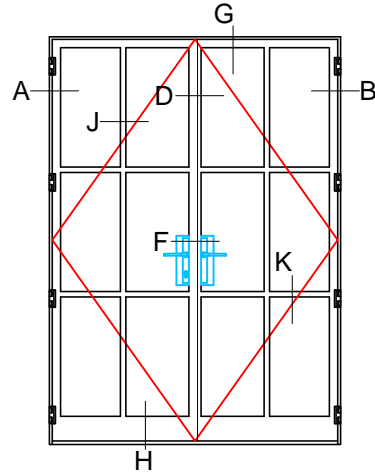
RTS430-OD SERIES

OUTSWING DOORS/ FIXED
SCALE: NOT TO SCALE

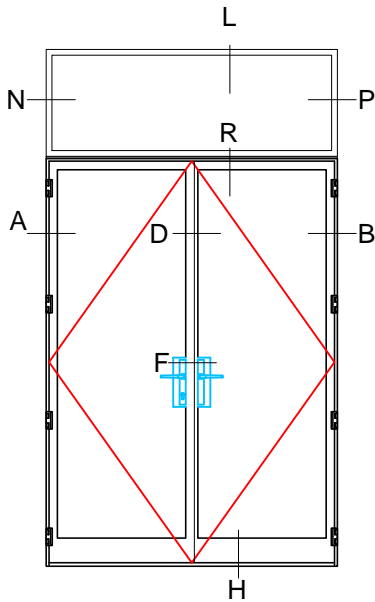
PAGE 1 OF 8



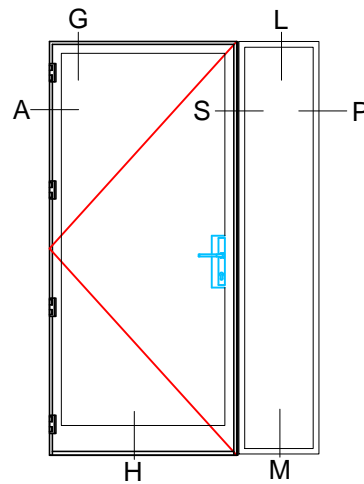
RTS4323-OD



RTS4343-DB-OD



RTS4322-OD-FX



RTS4321-OD-FX



28 Canal Street, Ellenville, NY 12428
Phone (845) 647-1900

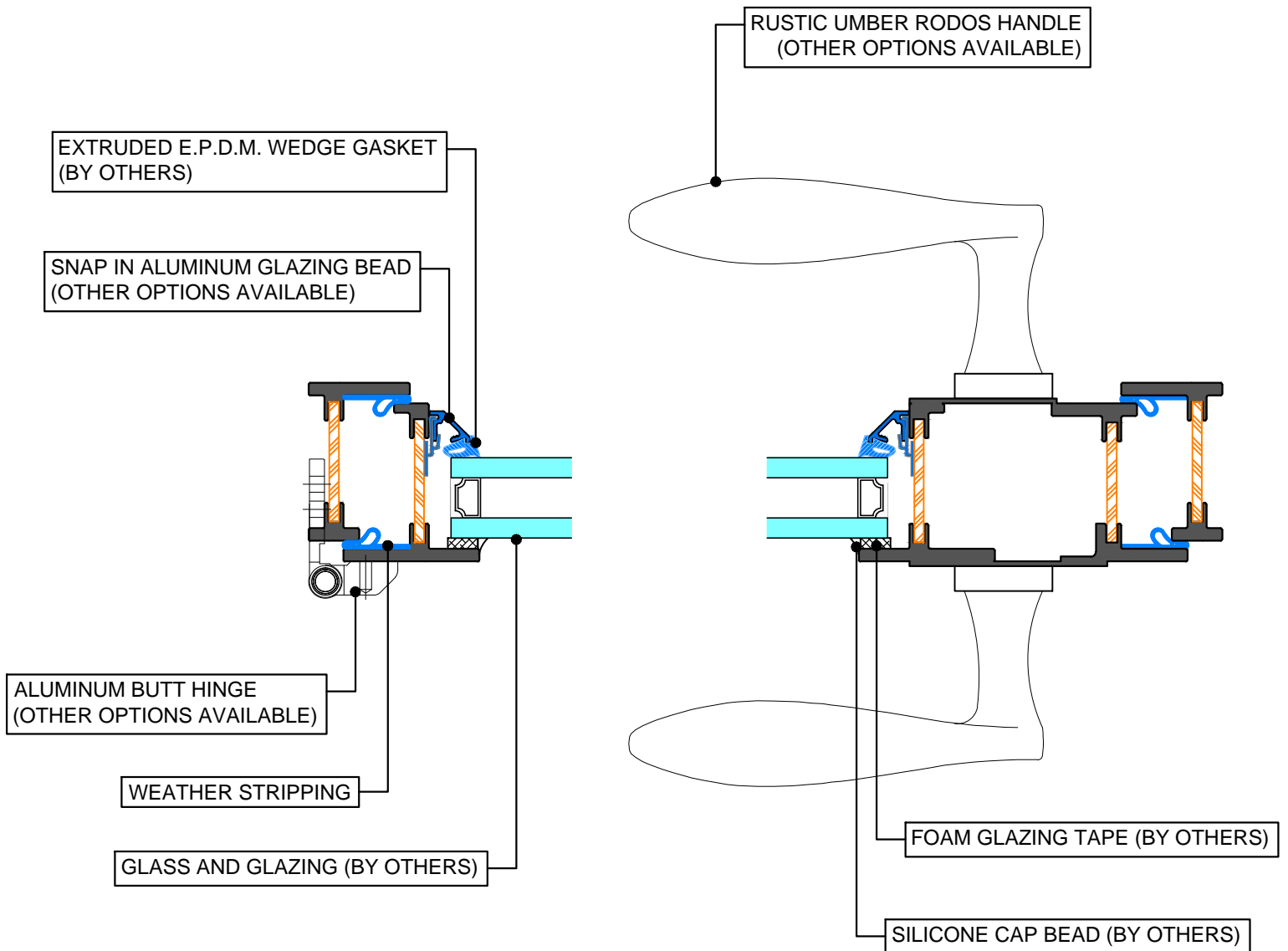
RELIANT

RTS430-OD SERIES

KEY TYPICAL

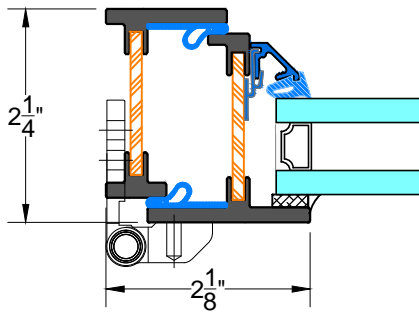
OUTSWING DOORS/ FIXED
SCALE: 1:2

PAGE 2 OF 8



28 Canal Street, Ellenville, NY 12428
Phone (845) 647-1900

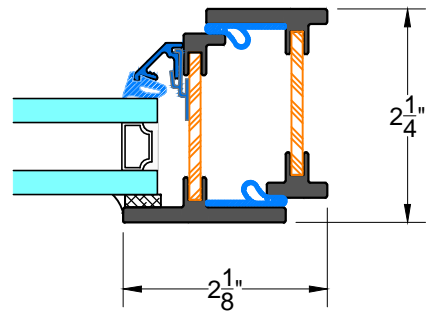
INTERIOR



EXTERIOR

A&B TYPICAL HINGED JAMB

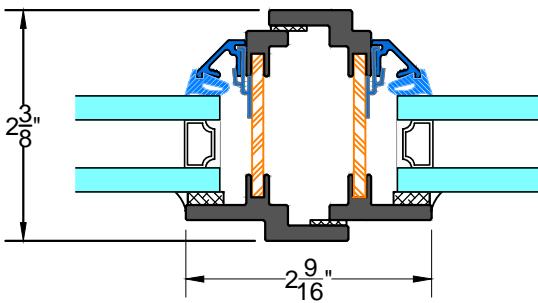
INTERIOR



EXTERIOR

C TYPICAL LOCKING JAMB

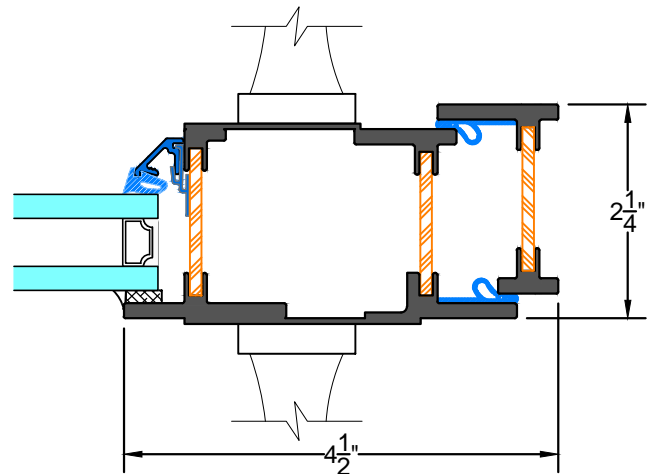
INTERIOR



EXTERIOR

D TYPICAL FRENCH MEETING RAIL

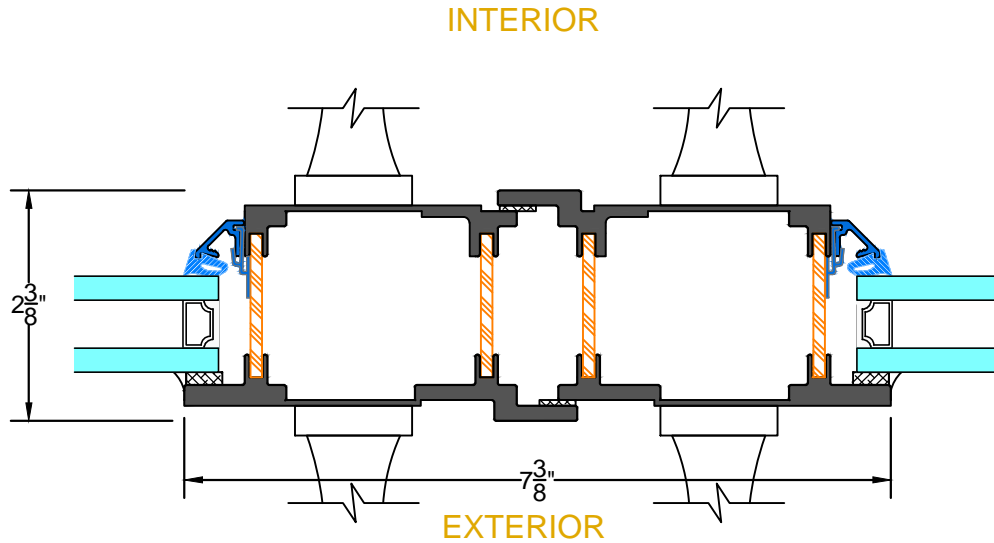
INTERIOR



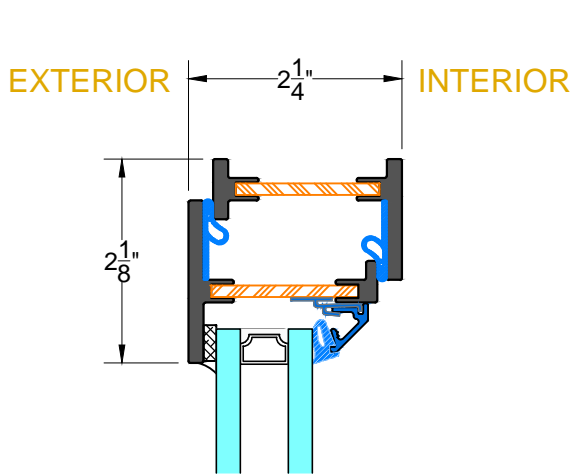
EXTERIOR

E TYPICAL SINGLE LOCKBOX

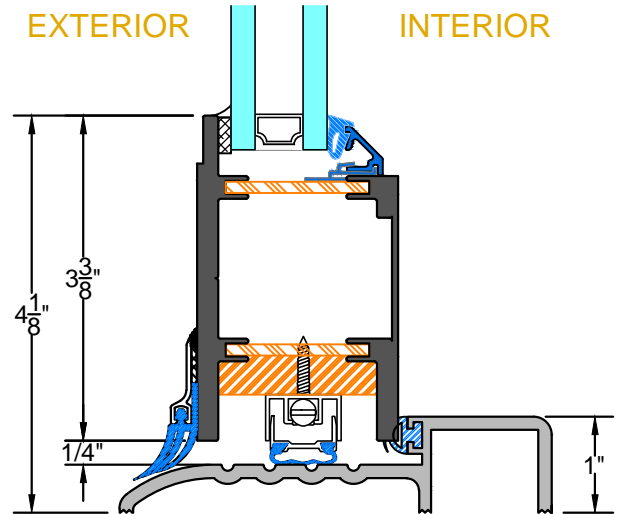




F TYPICAL FRENCH LOCKBOX



G TYPICAL HEAD



H TYPICAL KICKPLATE

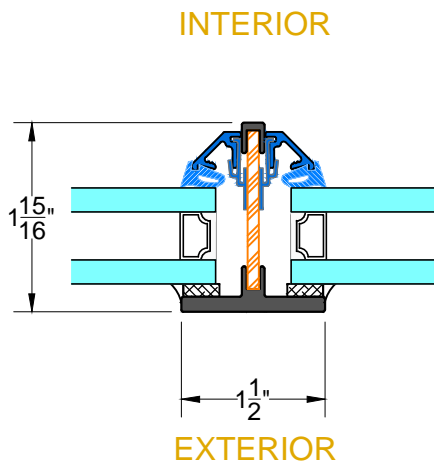
RELIANT

RTS430-OD SERIES

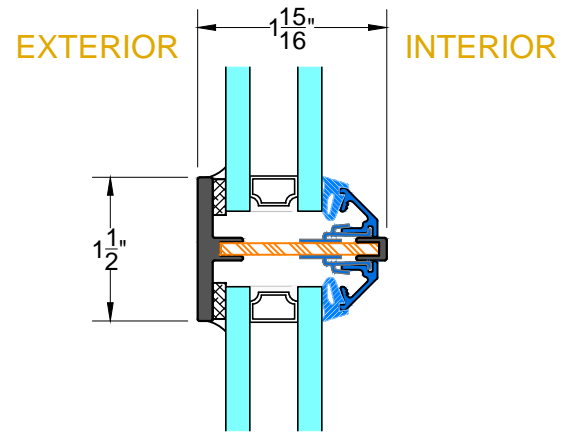
TYPICAL DETAILS

OUTSWING DOORS/ FIXED
SCALE: 1:2

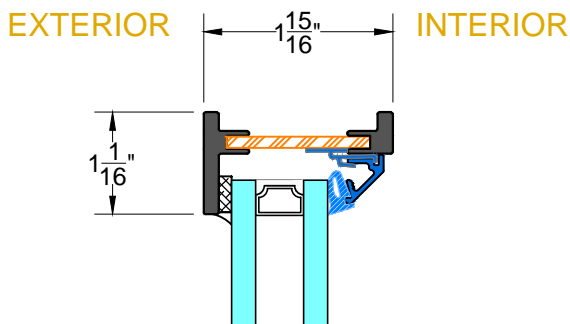
PAGE 5 OF 8



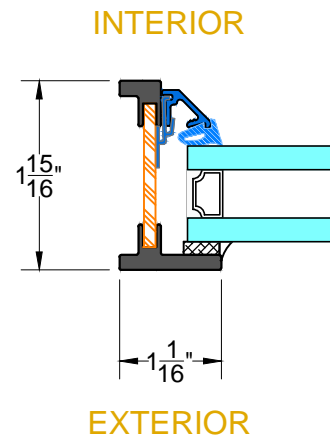
J TYPICAL VERTICAL MUNTIN



K TYPICAL HORIZONTAL MUNTIN



L&M TYPICAL FIXED HEAD & SILL



N&P TYPICAL FIXED JAMB



28 Canal Street, Ellenville, NY 12428
Phone (845) 647-1900

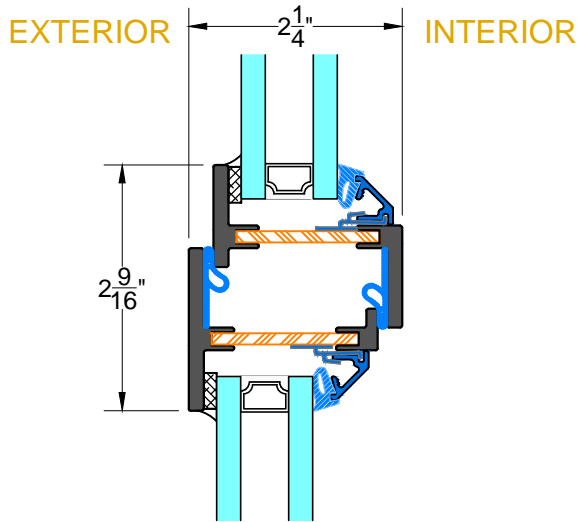
RELIANT

TYPICAL DETAILS

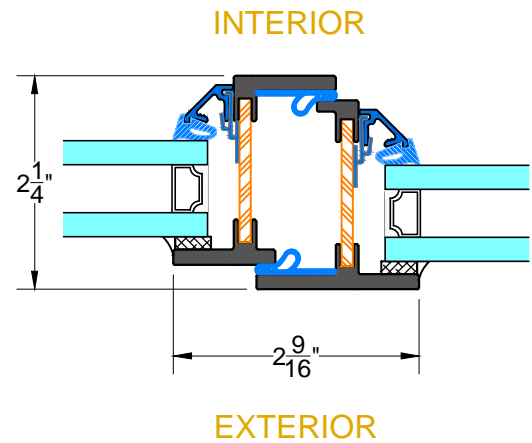
RTS430-OD SERIES

OUTSWING DOORS/ FIXED
SCALE: 1:2

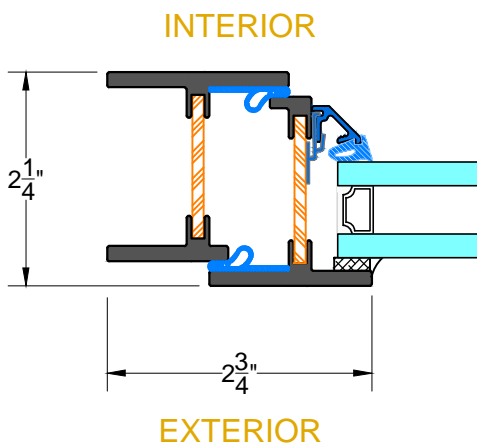
PAGE 6 OF 8



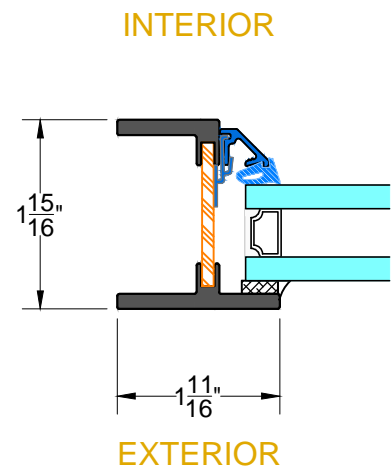
R TYPICAL HEAD
W/ TRANSOM



S TYPICAL JAMB
W/ SIDELITE



1 TYPICAL JAMB LARGE
OPERABLE FRAME



2 TYPICAL JAMB LARGE
FIXED FRAME



28 Canal Street, Ellenville, NY 12428
Phone (845) 647-1900

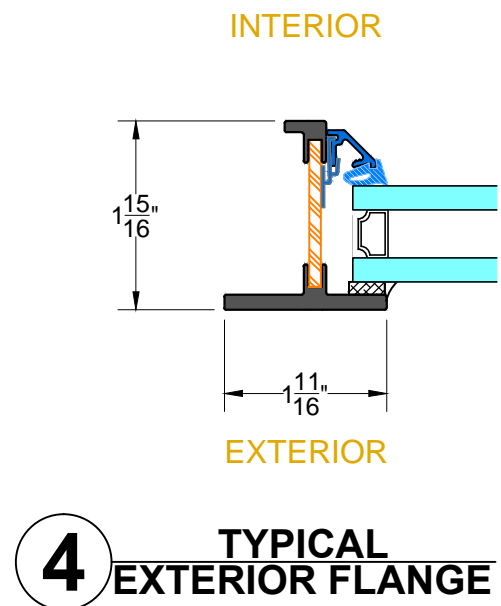
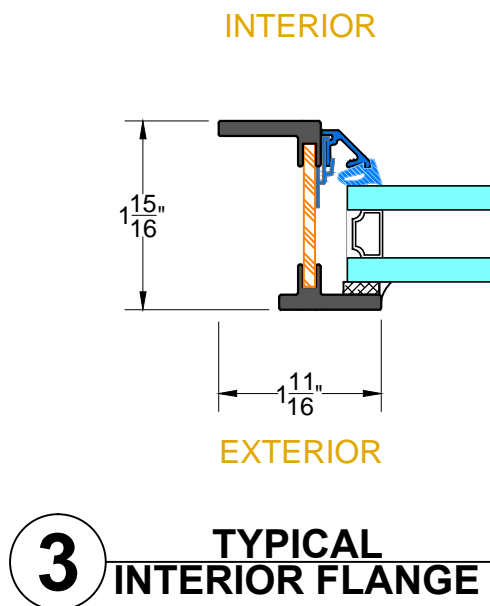
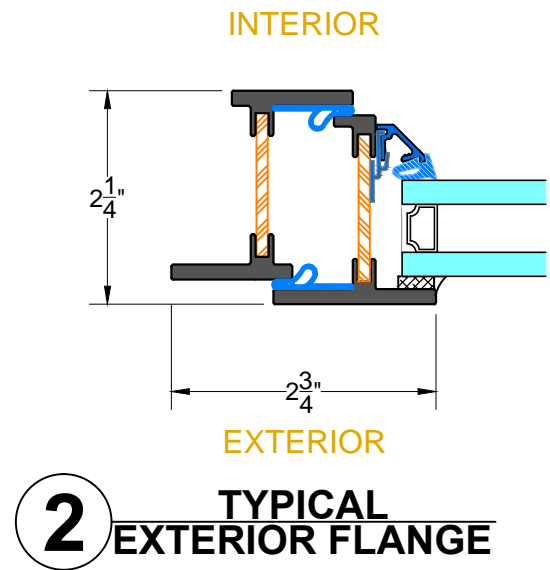
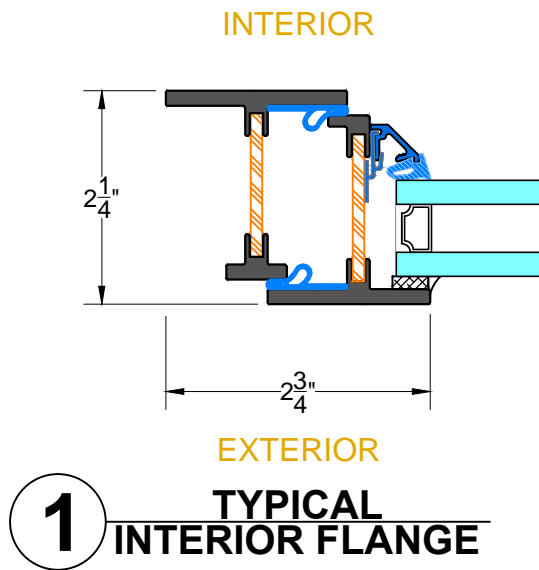
RELIANT

RTS430-OD SERIES

FRAME OPTIONS

OUTSWING DOORS/ FIXED
SCALE: 1:2

PAGE 7 OF 8



28 Canal Street, Ellenville, NY 12428
Phone (845) 647-1900

RELIANT

GLAZING OPTIONS

RTS430-OD SERIES

OUTSWING DOORS/ FIXED
SCALE: 1:2

PAGE 8 OF 8

