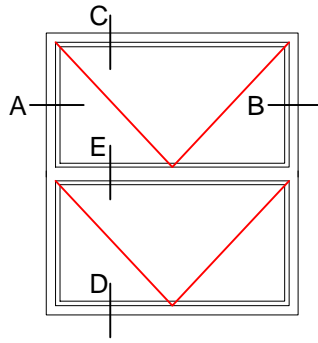
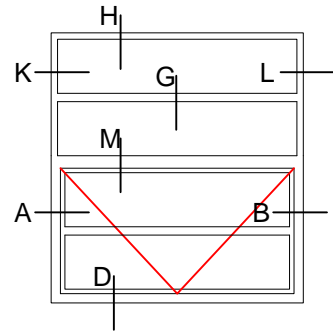


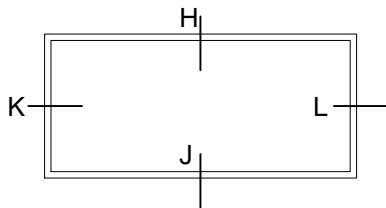
RTS4311-PI



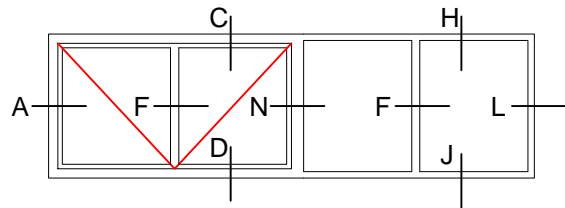
RTS4312-PI-PI



RTS4314-PI-FX

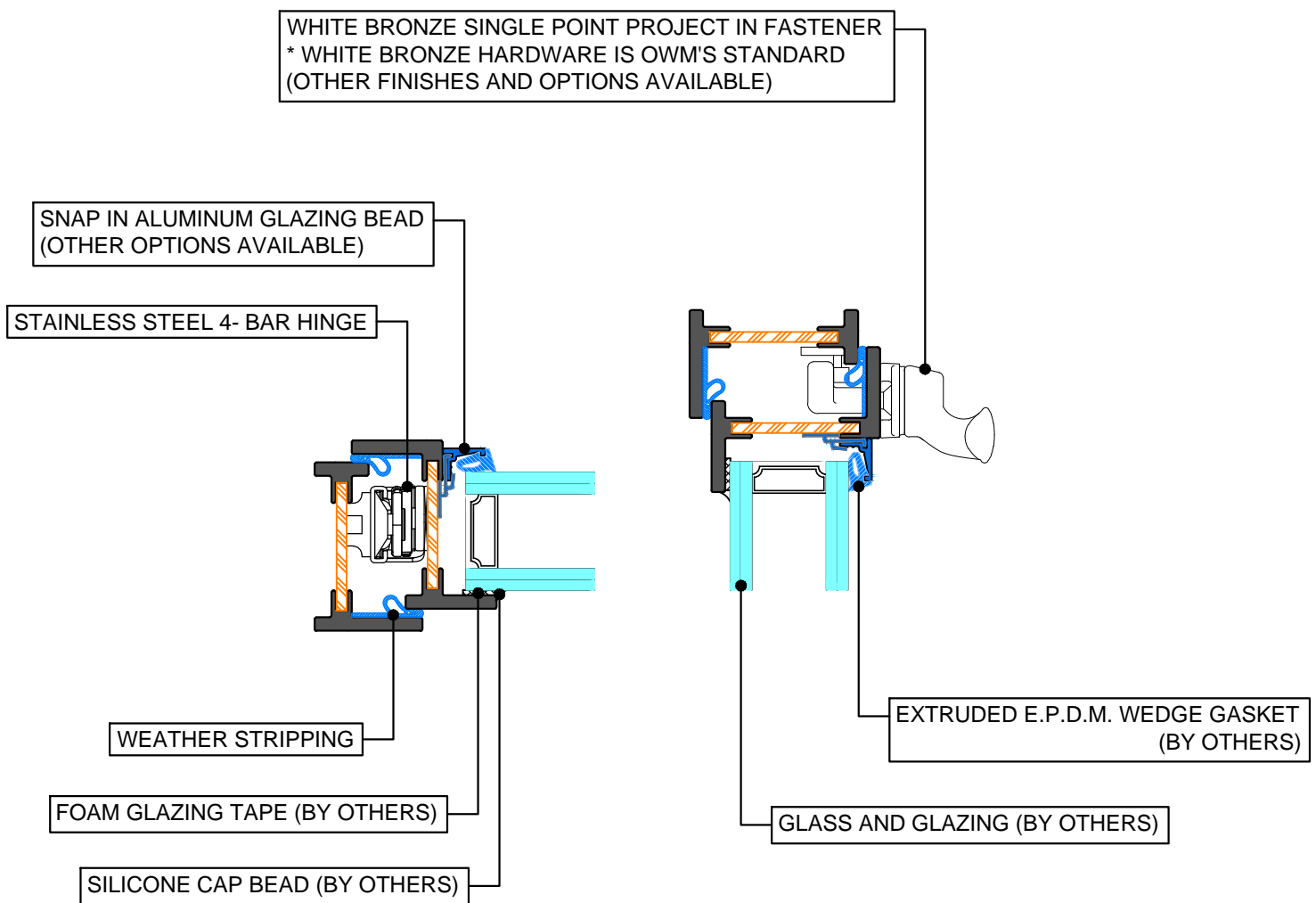


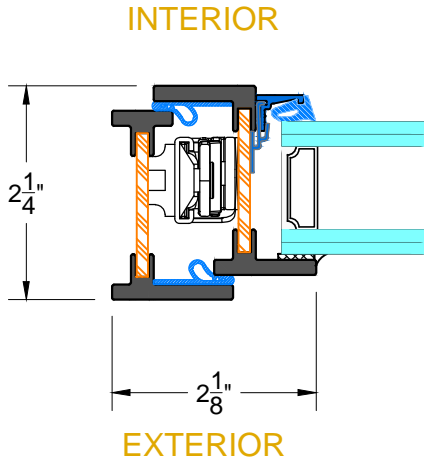
RTS4311-FX



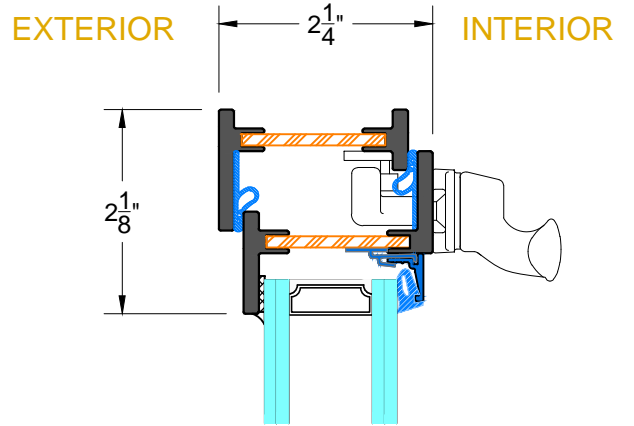
RTS4341-PI-FX



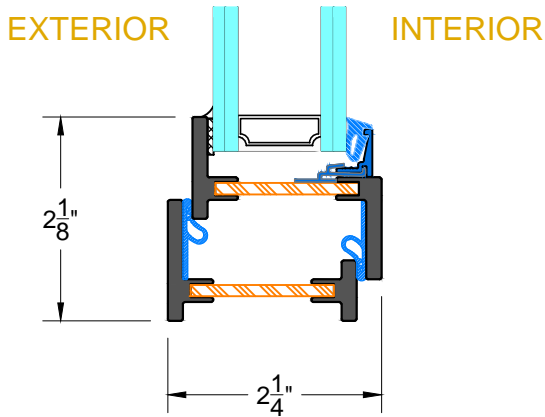




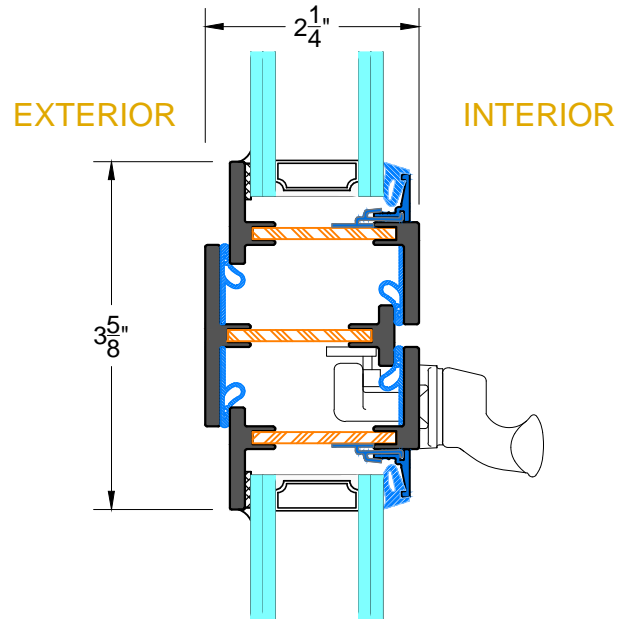
**A&B** TYPICAL HINGED JAMB



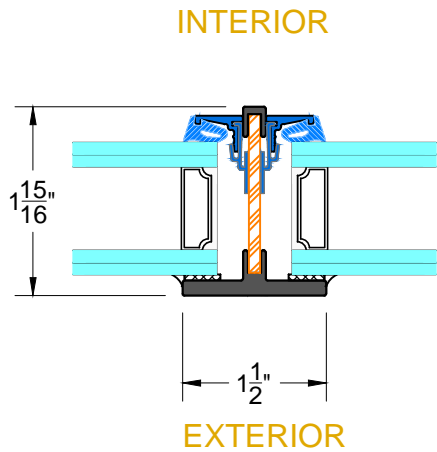
**C** TYPICAL LOCKING HEAD



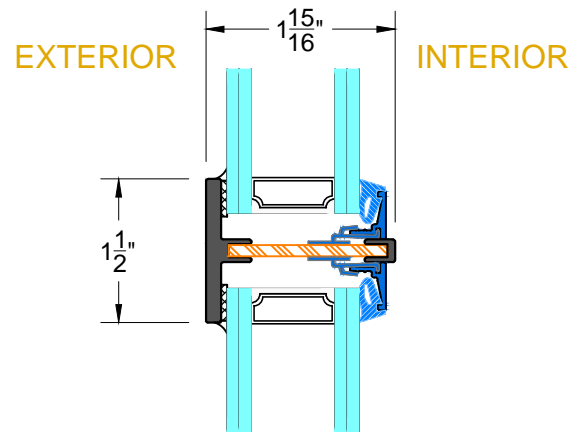
**D** TYPICAL SILL



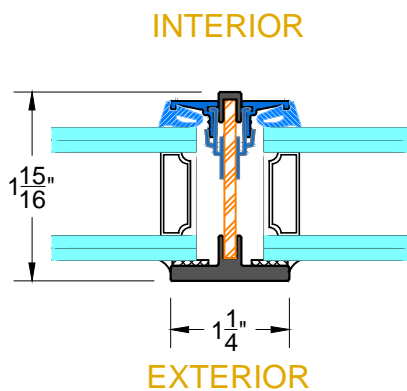
**E** TYPICAL STACKING JOINT



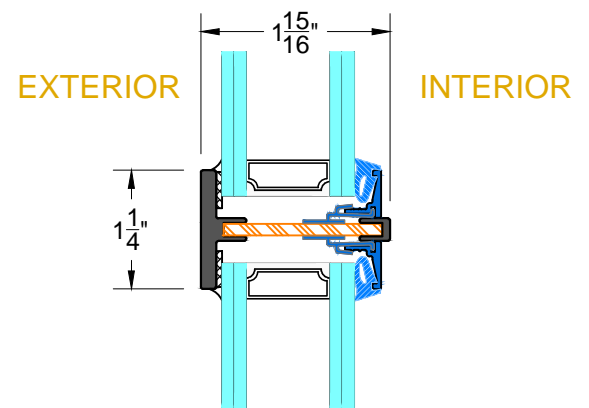
**F** TYPICAL VERTICAL MUNTIN



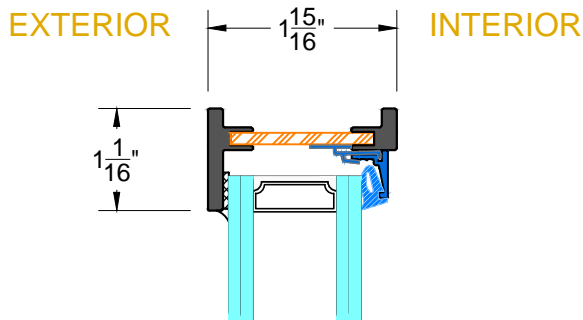
**G** TYPICAL HORIZONTAL MUNTIN



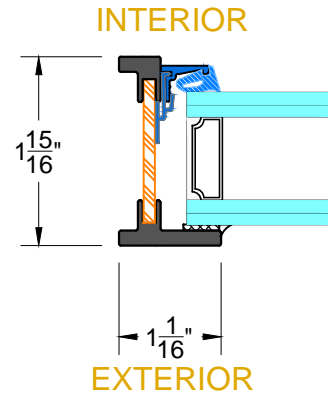
**F** TYPICAL VERTICAL MUNTIN



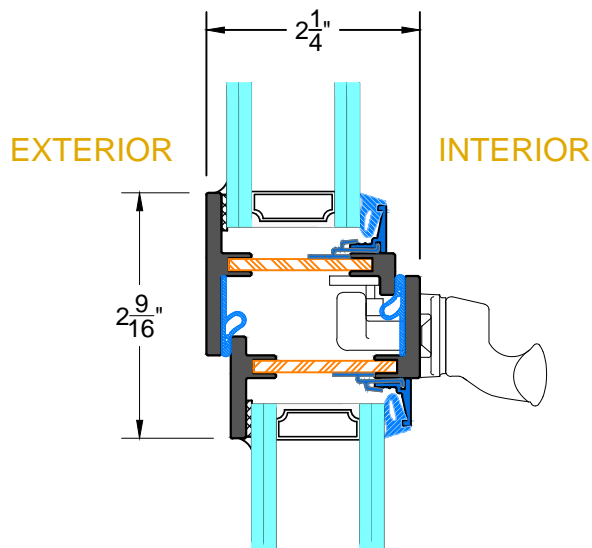
**G** TYPICAL HORIZONTAL MUNTIN



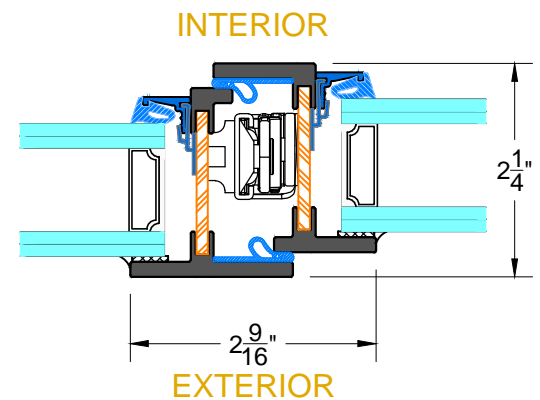
**H&J** TYPICAL FIXED HEAD & SILL



**K&L** TYPICAL FIXED JAMB



**M** TYPICAL HEAD W/ TRANSOM



**N** TYPICAL JAMB W/ SIDELITE



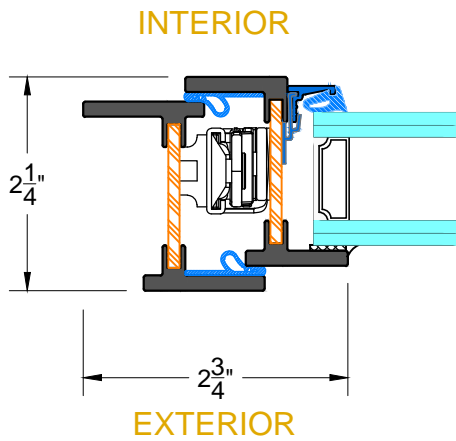
# RELIANT

## FRAME OPTIONS

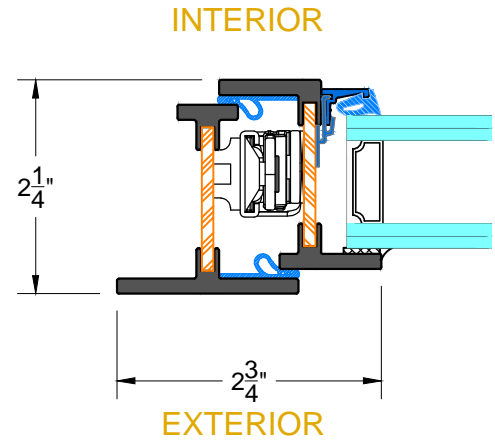
# RTS430-PI SERIES

PROJECT IN/ FIXED  
SCALE: 1:2

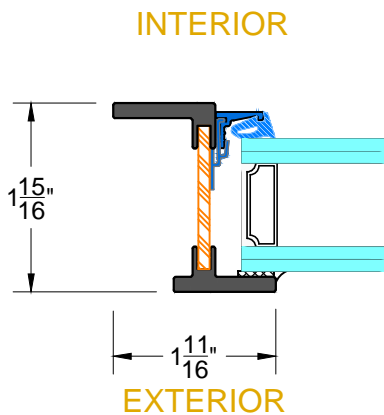
PAGE 6 OF 8



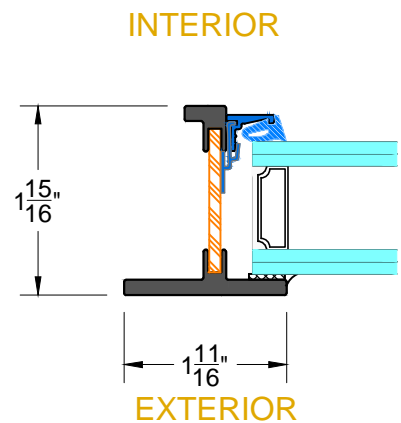
**1** TYPICAL JAMB  
INTERIOR FLANGE



**2** TYPICAL JAMB  
EXTERIOR FLANGE



**3** TYPICAL FIXED JAMB  
INTERIOR FLANGE



**4** TYPICAL FIXED JAMB  
EXTERIOR FLANGE



28 Canal Street, Ellenville, NY 12428  
Phone (845) 647-1900

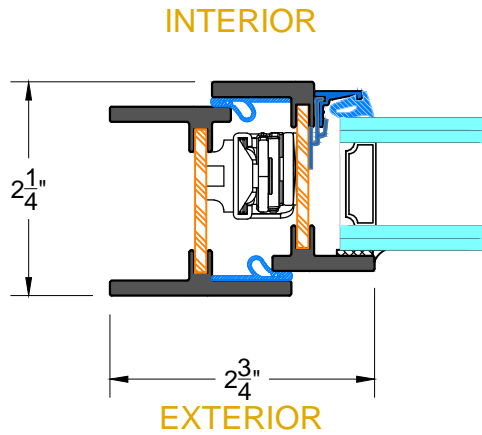
# RELIANT

## FRAME OPTIONS

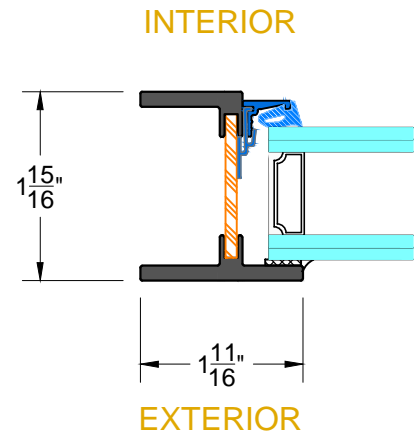
# RTS430-PI SERIES

PROJECT IN/ FIXED  
SCALE: 1:2

PAGE 7 OF 8



**1** TYPICAL JAMB  
EXTENDED FLANGE



**2** TYPICAL FIXED JAMB  
EXTENDED FLANGE



28 Canal Street, Ellenville, NY 12428  
Phone (845) 647-1900

# RELIANT

# RTS430-PI SERIES

## GLAZING OPTIONS

PROJECT IN/ FIXED  
SCALE: 1:2

PAGE 8 OF 8

