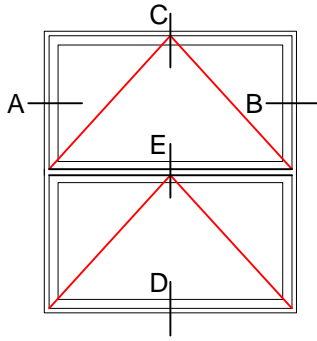
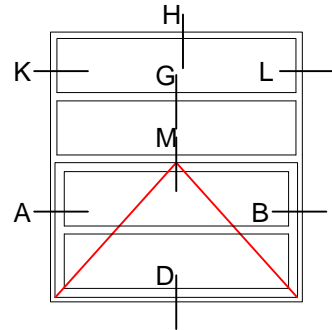


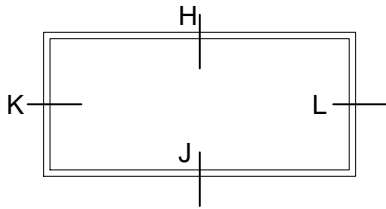
RTS4311-PO



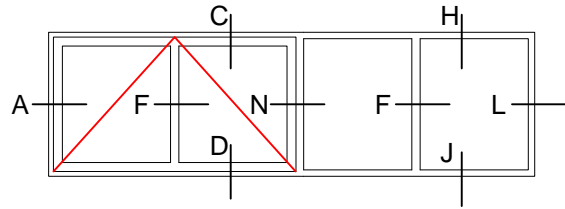
RTS4312-PO-PO



RTS4314-PO-FX



RTS4311-FX



RTS4341-PO-FX

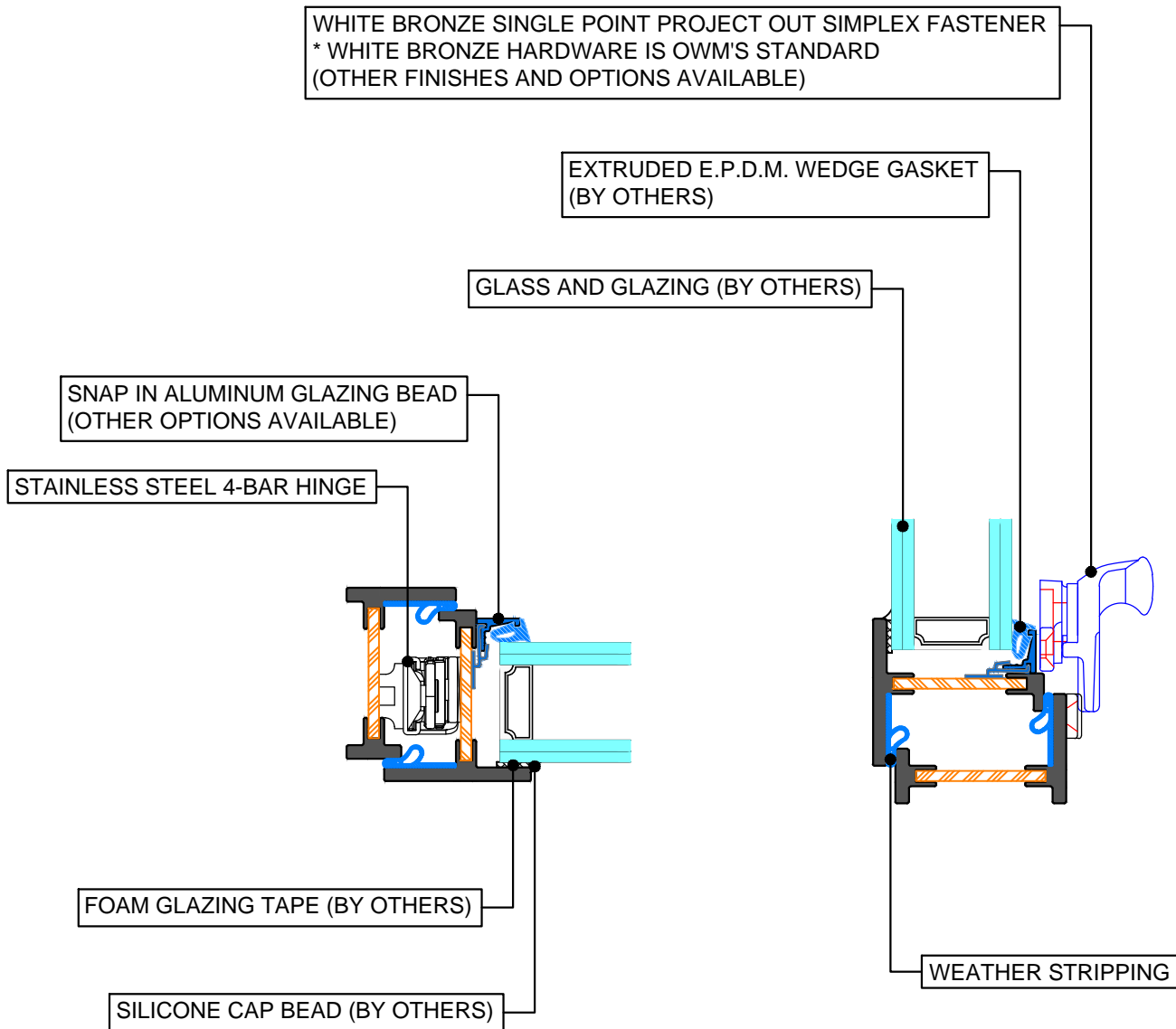
RELIANT

RTS430-PO SERIES

KEY TYPICAL

PROJECT OUT/ FIXED
SCALE: 1:2

PAGE 2 OF 8



28 Canal Street, Ellenville, NY 12428
Phone (845) 647-1900

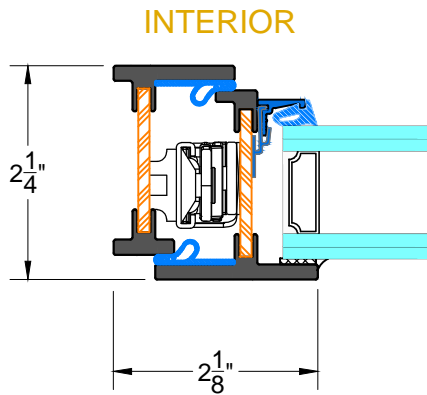
RELIANT

RTS430-PO SERIES

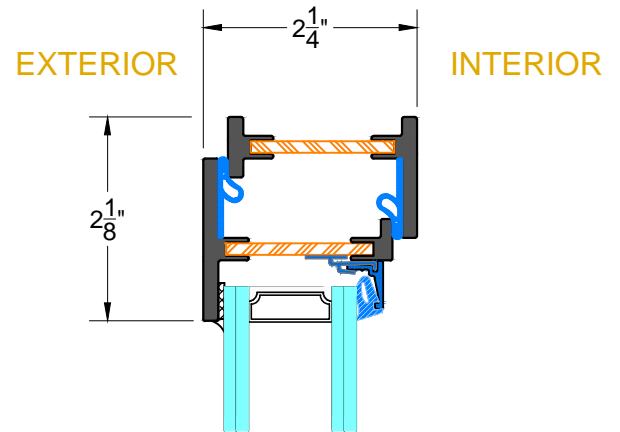
TYPICAL DETAILS

PROJECT OUT/ FIXED
SCALE: 1:2

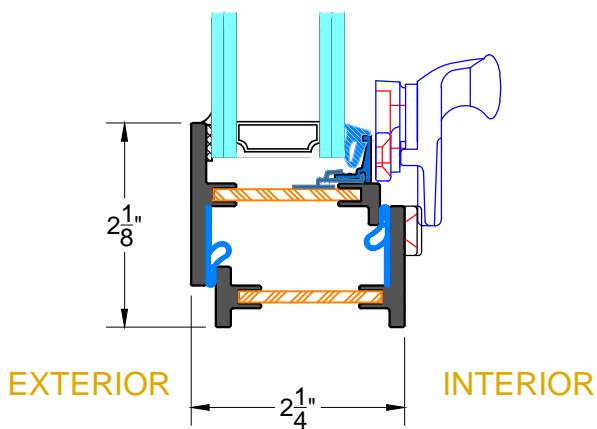
PAGE 3 OF 8



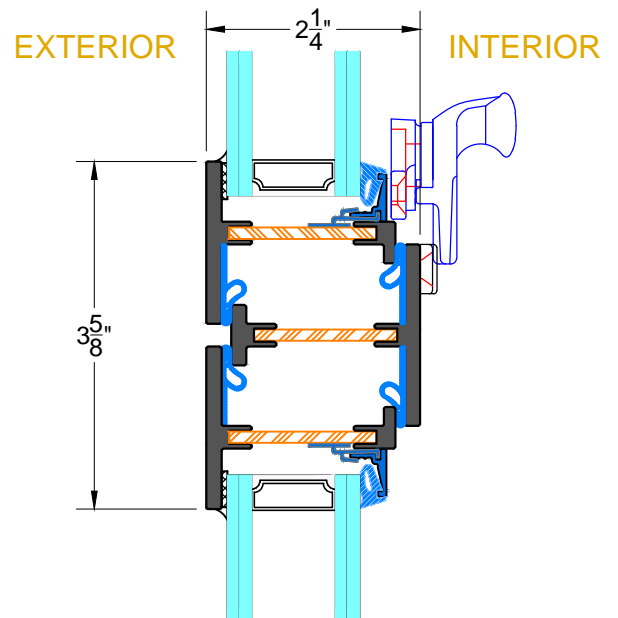
A&B TYPICAL HINGED JAMB



C TYPICAL HEAD

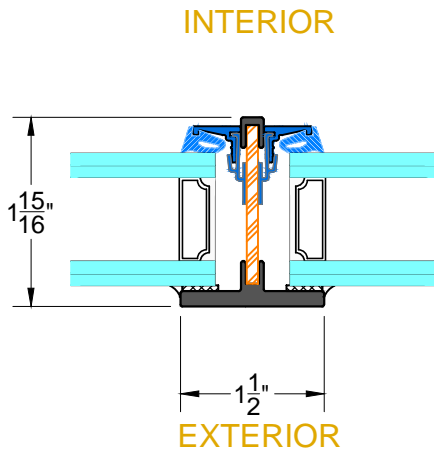


D TYPICAL SILL

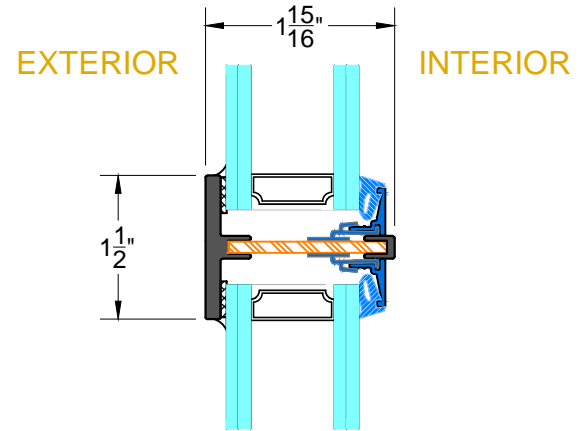


E TYPICAL STACKING MULLION

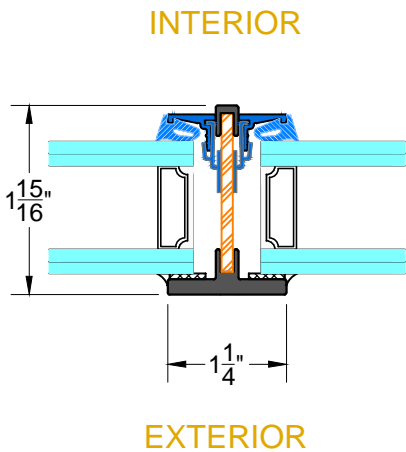




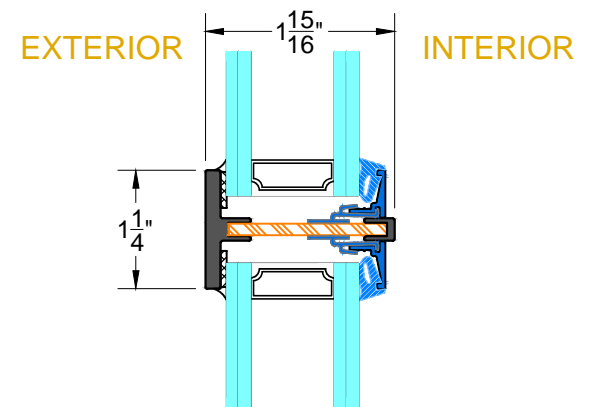
F TYPICAL VERTICAL MUNTIN



G TYPICAL HORIZONTAL MUNTIN



F TYPICAL VERTICAL MUNTIN



G TYPICAL HORIZONTAL MUNTIN



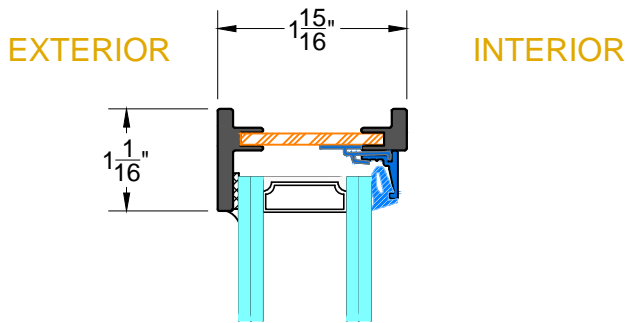
RELIANT

RTS430-PO SERIES

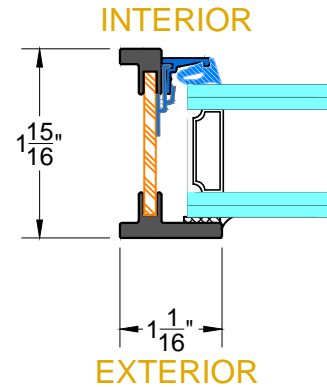
TYPICAL DETAILS

PROJECT OUT/ FIXED
SCALE: 1:2

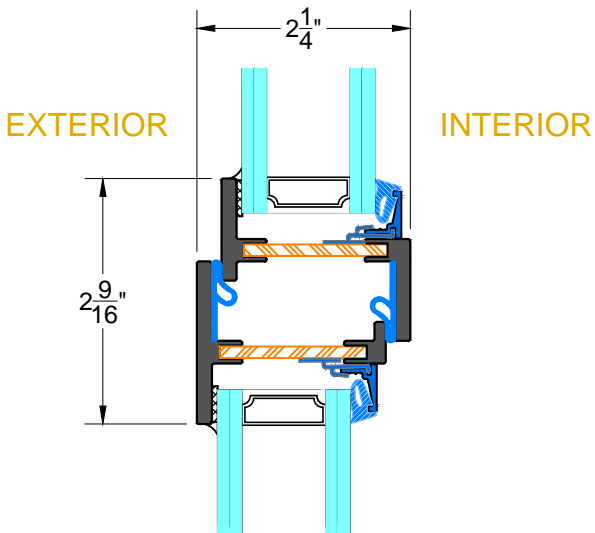
PAGE 5 OF 8



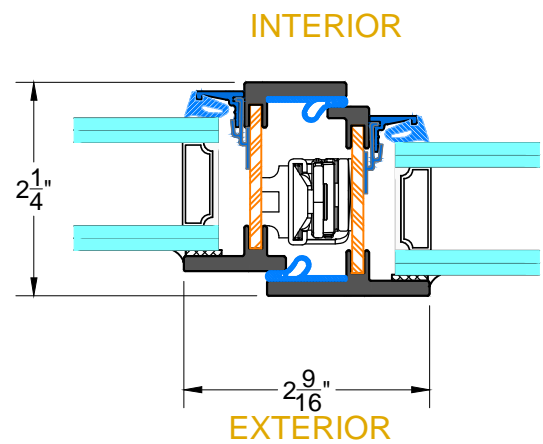
H&J TYPICAL FIXED HEAD & SILL



K&L TYPICAL FIXED JAMB



M TYPICAL HEAD W/ TRANSOM



N TYPICAL JAMB W/ SIDELITE



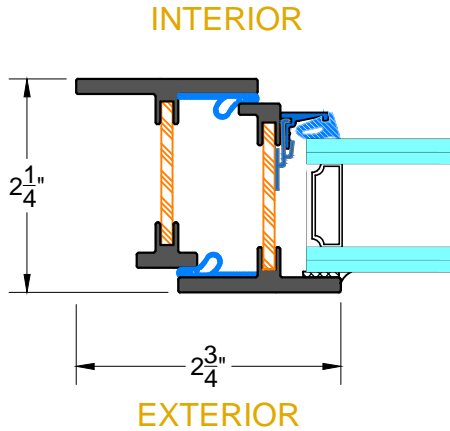
RELIANT

FRAME OPTIONS

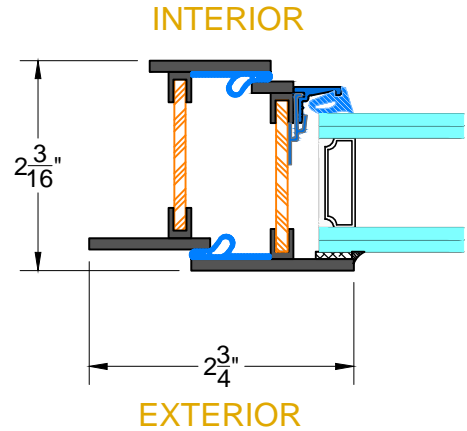
RTS430-PO SERIES

PROJECT OUT/ FIXED
SCALE: 1:2

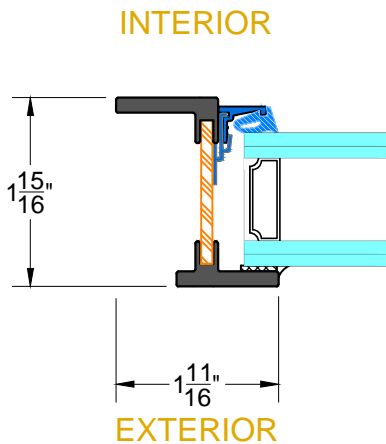
PAGE 6 OF 8



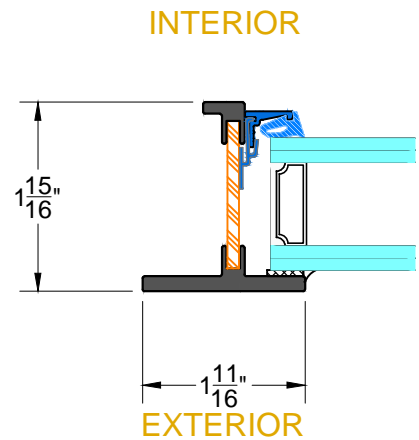
1 TYPICAL JAMB
INTERIOR FLANGE



2 TYPICAL JAMB
EXTERIOR FLANGE



3 TYPICAL FIXED JAMB
INTERIOR FLANGE



4 TYPICAL FIXED JAMB
EXTERIOR FLANGE



28 Canal Street, Ellenville, NY 12428
Phone (845) 647-1900

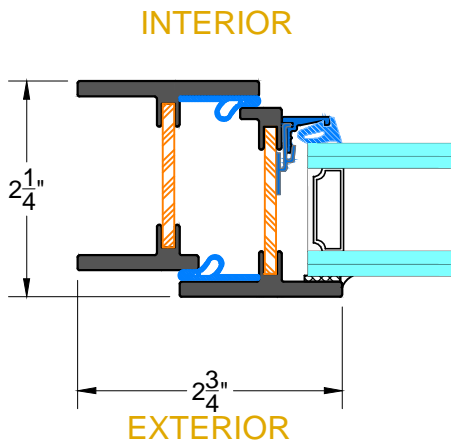
RELIANT

RTS430-PO SERIES

FRAME OPTIONS

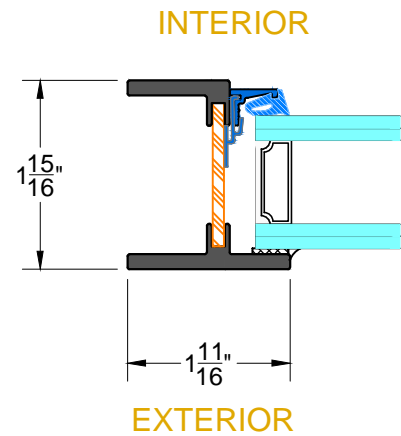
PROJECT OUT/ FIXED
SCALE: 1:2

PAGE 7 OF 8



1

**TYPICAL JAMB
EXTENDED FLANGE**



2

**TYPICAL FIXED JAMB
EXTENDED FLANGE**



28 Canal Street, Ellenville, NY 12428
Phone (845) 647-1900

RELIANT

GLAZING OPTIONS

RTS430-PO SERIES

PROJECT OUT/ FIXED
SCALE: 1:2

PAGE 8 OF 8

